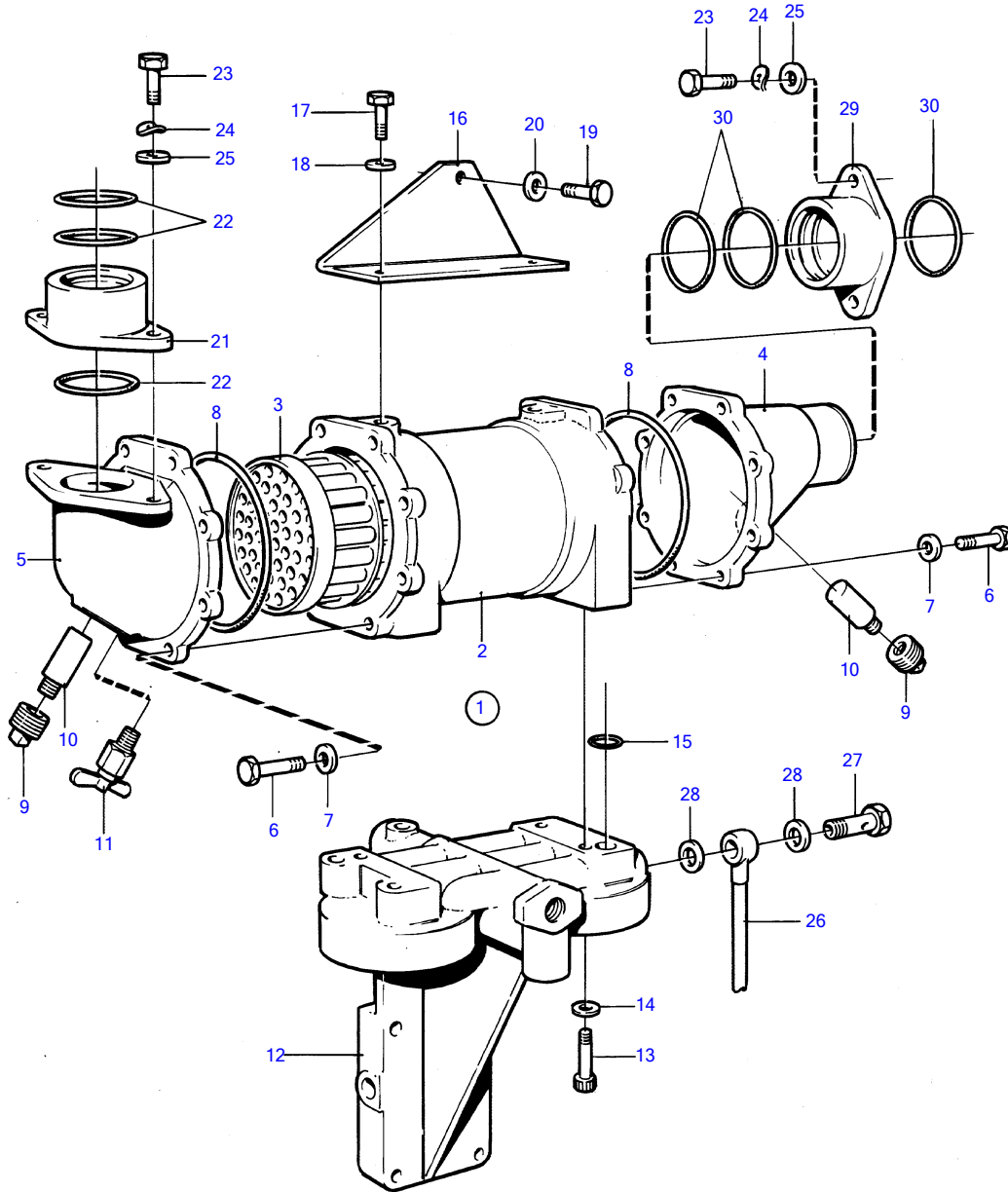


TAMD120B



5349

TAMD120B

| REF | PART NO. | QTY | DESCRIPTION | SEE SEC. | NOTES |
|-----|----------|-----|-------------------|----------|---------------|
| 1 | (842825) | 1 | Oil cooler | | Obsolete part |
| 2 | 842826 | 1 | • Housing | | |
| 3 | 813885 | 1 | • Insert | | |
| 4 | 843580 | 1 | • End cover | | |
| 5 | 843567 | 1 | • End cover | | |
| 6 | 940094 | 16 | • Hexagon screw | | |
| 7 | 941906 | 16 | • Spring washer | | |
| 8 | 925027 | 2 | • O-ring | | |
| 9 | 800475 | 2 | • Plug | | |
| 10 | 800476 | 2 | • Zinc electrode | | |
| 11 | 949918 | 1 | Shut-off cock | | (82745) |
| 12 | 843528 | 1 | Bracket | | See group 2A |
| | 844498 | 1 | Bracket | | See group 2A |
| 13 | 956572 | 4 | Hex. socket screw | | See group 2A |
| 14 | 11992 | 4 | Gasket | | See group 2A |
| 15 | 925059 | 2 | O-ring | | See group 2A |
| 16 | 843570 | 1 | Support | | |
| 17 | 955513 | 2 | Hexagon screw | | |
| 18 | 941906 | 2 | Spring washer | | |
| 19 | 955533 | 1 | Hexagon screw | | |
| 20 | 941907 | 1 | Spring washer | | |
| 21 | 843565 | 1 | Pipe connection | 14495 | |
| 22 | 925092 | 3 | O-ring | | |
| | | | | 14495 | |
| 23 | 955525 | 4 | Hexagon screw | | |
| 24 | 941907 | 4 | Spring washer | | |
| 25 | 191172 | 4 | Washer | | |
| 26 | 842830 | 1 | Tube | | See group 2A |
| 27 | 190714 | 1 | Hollow screw | | See group 2A |
| 28 | 957181 | 2 | Gasket | | See group 2A |
| 29 | 843565 | 1 | Pipe connection | 14500 | |
| 30 | 925092 | 3 | O-ring | | |