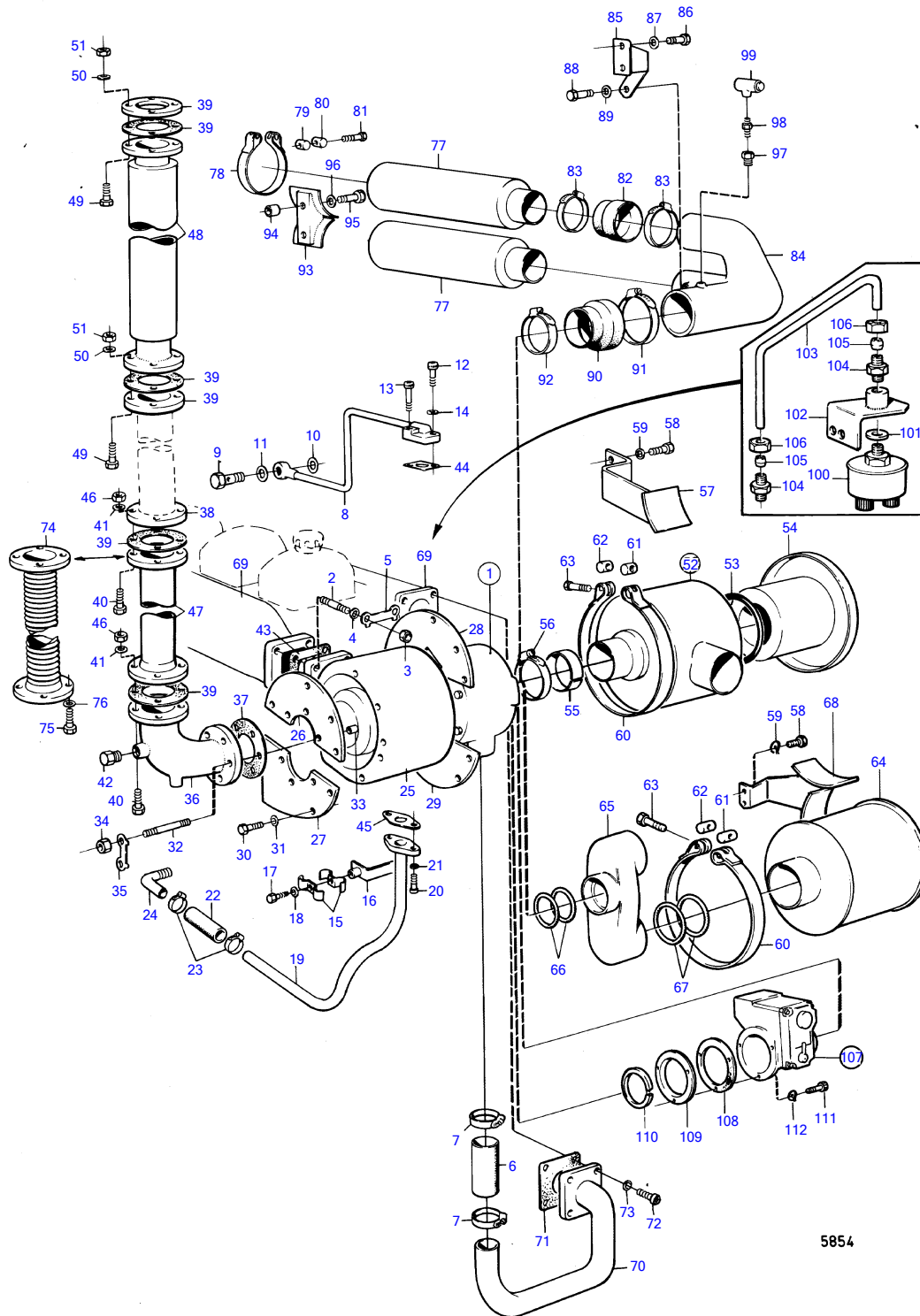


TMD120A



TMD120A

REF	PART NO.	QTY	DESCRIPTION	SEE SEC.	NOTES
1		1			MOXXXXX/98708-
				14496	
	(842067)	1	Turbocharger		MO15086/XXXX-, Obsolete part
	(3802007)	1	Turbocharger, exch, exch		MO15086/XXXX-, Obsolete part
				14497	
2	953261	4	Stud		
3	943152	4	Nut		
4	940097	4	Washer		
5	468219	2	Lock washer		
6	(944375)	X	Hose		L=60mm, Obsolete part
7	943482	2	Hose clamp		
8	822571	1	Oil pressure pipe		
9	942589	1	Hollow screw		
10	942703	1	Gasket		
11	957181	1	Gasket		
12	956584	1	Hex. socket screw		
13	956585	1	Hex. socket screw		
14	942336	2	Spring washer		
15	820851	2	Clamp		
16	822625	1	Bracket		
17	955512	1	Hexagon screw		
18	941906	1	Spring washer		
19	822572	1	Oil feed pipe		
20	940115	2	Hexagon screw		
21	942336	2	Spring washer		
22	192358	X	Hose		L=80mm
23	943474	2	Hose clamp		
24	468629	1	Elbow nipple		
25	(823352)	1	Heat shield		Obsolete part
26	(823241)	1	Protecting plate		Obsolete part
27	(823242)	1	Protecting plate		Obsolete part
28	(836324)	1	Cover plate		Obsolete part
29	(836323)	1	Cover plate		Obsolete part
30	940113	20	Hexagon screw		
31	941907	20	Spring washer		
32	953272	6	Stud		
33	820916	6	Spacer sleeve		
34	943152	6	Nut		
35	15193	3	Tab washer		
36	(822594)	1	Exhaust riser		Obsolete part
37	411710	1	Gasket		
38	836153	3	Weld flange		
	(842002)	2	Weld flange		D70B spec. 867055, 867060. TD70B spec. 867066., Obsolete part
39	807578	4	Gasket		
	842012	2	Gasket		D70B spec. 867055, 867060. TD70B spec. 867066.
40	955592	8	Hexagon screw		
41	941912	8	Spring washer		
42	192154	2	Plug		
43	417382	1	Gasket		D70B,classified engine.
44	417378	1	Gasket		D70B,classified engine.
45	417381	1	Gasket		D70B,classified engine.
46	955829	8	Hexagon nut		
47	820900	1	Exhaust hose		L=590mm
	(822261)	1	Exhaust hose		L=1090mm, Obsolete part
48	(820967)	1	Muffler		L=1033mm, Obsolete part
	836257	1	Muffler		L=1370mm
49	955591	8	Hexagon screw		
	955592	16	Hexagon screw		D70B spec. 867055, 867060. TD70B spec. 867066.
50	941912	8	Spring washer		

TMD120A

REF	PART NO.	QTY	DESCRIPTION	SEE SEC.	NOTES
	941912	16	Spring washer		D70B spec. 867055, 867060. TD70B spec. 867066.
51	955829	8	Hexagon nut		
	955829	16	Hexagon nut		D70B spec. 867055, 867060. TD70B spec. 867066.
52	(823674)	1	Air filter		MO-XXXX/29427, Obsolete part
53	(823672)	1	• Gasket		Obsolete part
54	(823671)	1	• Insert		Obsolete part
55	(823673)	1	Spacer ring		MO-XXXX/29427, Obsolete part
56	943483	1	Hose clamp		(951800)
57	(823675)	1	Cradle		Obsolete part, MO-15085/XXXX
	(836985)	1	Cradle, bracket		MO15086/XXXX- -, Obsolete part - MO-XXXX/29427
58	955588	2	Hexagon screw		
59	941912	2	Spring washer		
60	(823681)	1	Tensioning band		MO-XXXX/29427, Obsolete part
	821028	2	Tensioning band		MOXXXX/29428-
61	31404	1	Clevis pin, threaded		MO-XXXX/29427
	31404	2	Clevis pin, threaded		MOXXXX/29428-
62	31405	1	Pin		MO-XXXX/29427
	31405	2	Pin		MOXXXX/29428-
63	31406	1	Hexagon screw		MO-XXXX/29427
	31406	2	Hexagon screw		MOXXXX/29428-
64	842280	2	Air filter		MOXXXX/29428-
65	842853	1	Connection pipe		MOXXXX/29428-
66	925078	2	O-ring		MOXXXX/29428-
67	925082	4	O-ring		MOXXXX/29428-
68	842850	1	Bracket		MOXXXX/29428-
69			induction and exhaust manifold with installation components	14492	
70	823704	1	Pipe		
71	466271	1	Gasket		
72	956570	4	Hex. socket screw		
73	941907	4	Spring washer		
74		1	compensator		Water pump shaft length=203mm., L=85mm early type
	(843087)	1	Compensator		L=85mm late type, Obsolete part
		1	compensator		Spec.9969, 867113., L=185mm early type
	843088	1	Compensator		L=185mm late type
75	955591	8	Hexagon screw		Early type
	955365	8	Hexagon screw		Late type
76	941912	8	Spring washer		
77	823701	2	Air filter		Classified engine
78	821028	4	Tensioning band		Classified engine
79	31404	4	Clevis pin, threaded		Classified engine
80	31405	4	Pin		Classified engine
81	31406	4	Hexagon screw		Classified engine
82	836334	2	Rubber cone		Classified engine
83	943484	4	Hose clamp		Classified engine, (951801)
84	(836995)	1	Connection pipe		Classified engine, Obsolete part
85	(836875)	1	Bracket		Classified engine, Obsolete part
86	955588	2	Hexagon screw		Classified engine
87	941912	2	Spring washer		Classified engine
88	940113	1	Hexagon screw		Classified engine
89	941907	1	Spring washer		Classified engine
90	837178	1	Rubber cone		Classified engine
91	961907	1	Hose clamp		Classified engine
92	943483	1	Hose clamp		Classified engine, (951800)
93	(823808)	2	Bracket		Classified engine, Obsolete part
94	820508	3	Spacer sleeve		Classified engine, L=28mm
	821540	1	Spacer sleeve		Classified engine, L=0.875" (22mm)
95	955533	4	Hexagon screw		Classified engine

TMD120A

REF	PART NO.	QTY	DESCRIPTION	SEE SEC.	NOTES
96	941907	4	Spring washer		Classified engine
97	(823953)	1	Nipple		Classified engine, MO-XXXX/21756, Obsolete part
98	191095	1	Nipple		Classified engine
99	842037	1	Pressure drop indica		Classified engine
100	837782	1	Pressure sensor, pressure sender		MOXXXX/29428- See group 3
101	957181	1	Gasket, gasket		MOXXXX/29428- See group 3
102	843698	1	Bracket		MOXXXX/29428-
103	(843700)	1	Tube		MOXXXX/29428-, Obsolete part
104	954379	2	Nipple		MOXXXX/29428-
105	954365	2	Fitting		MOXXXX/29428-
106	954357	2	Fitting nut		MOXXXX/29428-
107		1	emergency stop		MOXXXX/43297- See group 3
108	843718	1	Gasket		Early type,engine without hydraulic pump.
109	843704	1	Attaching ring		Early type,engine without hydraulic pump.
110	843703	1	Tensioning ring		Early type,engine without hydraulic pump.
111	959223	2	Hex. socket screw		Early type,engine without hydraulic pump., L=30mm
	959233	1	Hex. socket screw		Early type,engine without hydraulic pump., L=80mm
112	941907	3	Spring washer		Early type,engine without hydraulic pump.