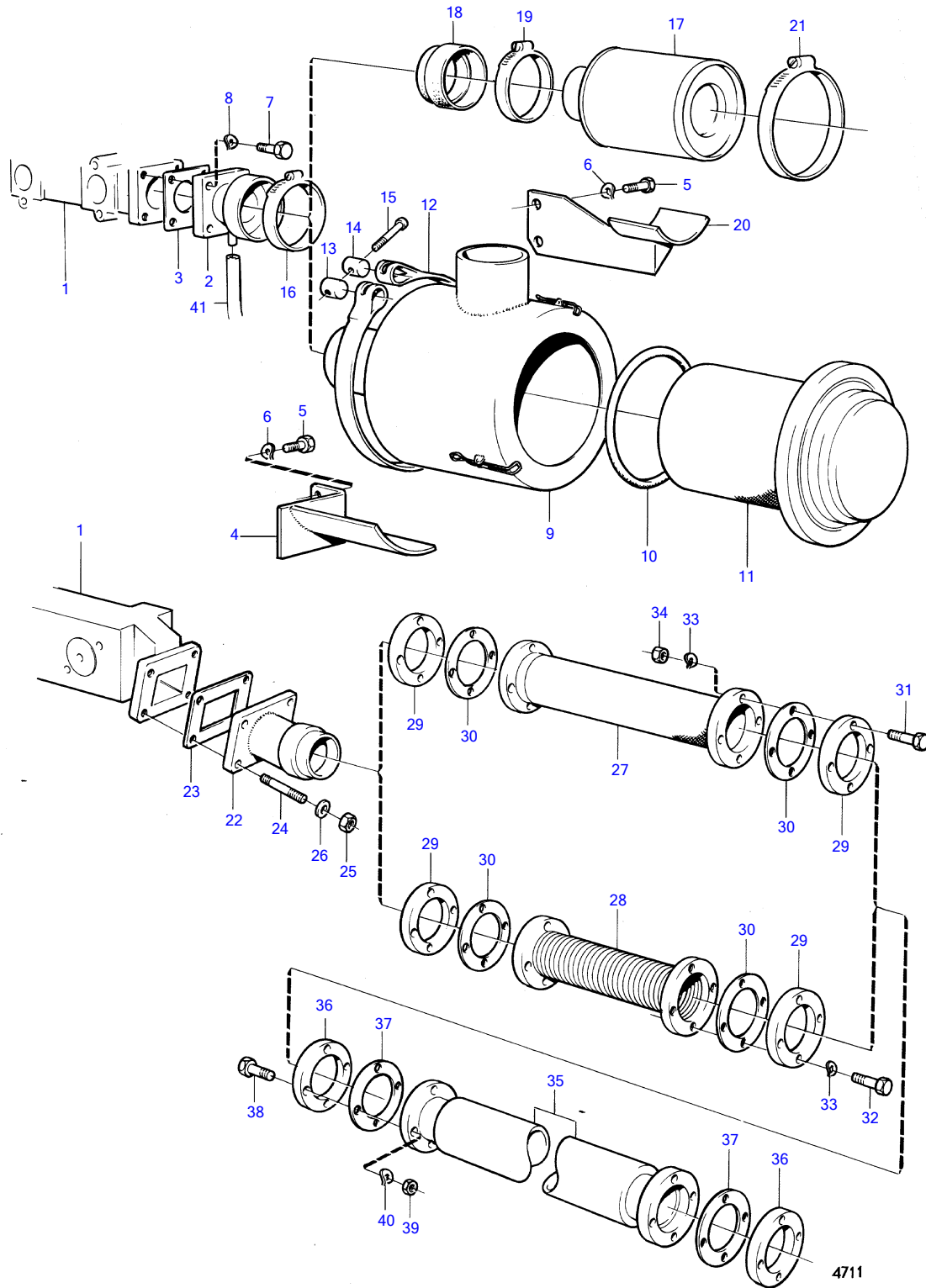


MD120A



MD120A

REF	PART NO.	QTY	DESCRIPTION	NOTES
2	(823677)	1	Flange	MO-XXXX/27442, Obsolete part
	(843414)	1	Flange	MOXXXX/27443-, Obsolete part
3	466271	1	Gasket	
4	(823680)	1	Bracket	Obsolete part, MO-XXXX/27442
5	955588	2	Hexagon screw	
6	941912	2	Spring washer	
7	955525	4	Hexagon screw	MO-XXXX/27442
	956570	4	Hex. socket screw	MOXXXX/27443-
8	941907	4	Spring washer	
9	(823674)	1	Air filter	Obsolete part, MO-XXXX/27442
10	(823672)	1	• Gasket	Obsolete part
11	(823671)	1	• Insert	Obsolete part
12	(823681)	1	Tensioning band	Obsolete part, MO-XXXX/27442
13	31404	1	Clevis pin, threaded	MO-XXXX/27442
14	31405	1	Pin	MO-XXXX/27442
15	31406	1	Hexagon screw	MO-XXXX/27442
16	943483	1	Hose clamp	(951800)
17	842280	1	Air filter	MOXXXX/27443-
18	843409	1	Fitting	MOXXXX/27443-
19	943484	1	Hose clamp	MOXXXX/27443-
20	(843411)	1	Bracket	Obsolete part, MOXXXX/27443-
21	942921	1	Hose clamp	MOXXXX/27443-
22	(836144)	1	Exhaust pipe flange	Obsolete part
23	820785	1	Gasket	
24	953261	4	Stud	
25	943152	4	Nut	
26	940097	4	Washer	
27	820900	1	Exhaust hose	L=590mm alt
	(822261)	1	Exhaust hose	Obsolete part, L=1090mm alt
28		1	compensator	Water pump shaft length=203mm., L=85mm early type alt
	(843087)	1	Compensator	Obsolete part, L=85mm late type alt
		1	compensator	Spec.9969, 867113., L=185mm early type alt
	843088	1	Compensator	L=185mm late type alt
29	820915	2	Flange	
30	807578	2	Gasket	
31	955592	8	Hexagon screw	
32	955591	8	Hexagon screw	Early type
	955365	8	Hexagon screw	Late type
33	941912	8	Spring washer	
34	955829	8	Hexagon nut	
35	(820967)	1	Muffler	Obsolete part, L=1033mm alt
	827021	1	Muffler	L=1370mm alt
36	820915	2	Flange	Åkerman.
	(842005)	2	Weld flange	Obsolete part, MO-XXXXX/98707.
37	807578	2	Gasket	
38	955591	8	Hexagon screw	
39	955829	8	Hexagon nut	
40	941912	8	Spring washer	
41	952973	X	Hose	L=140mm see group 2A