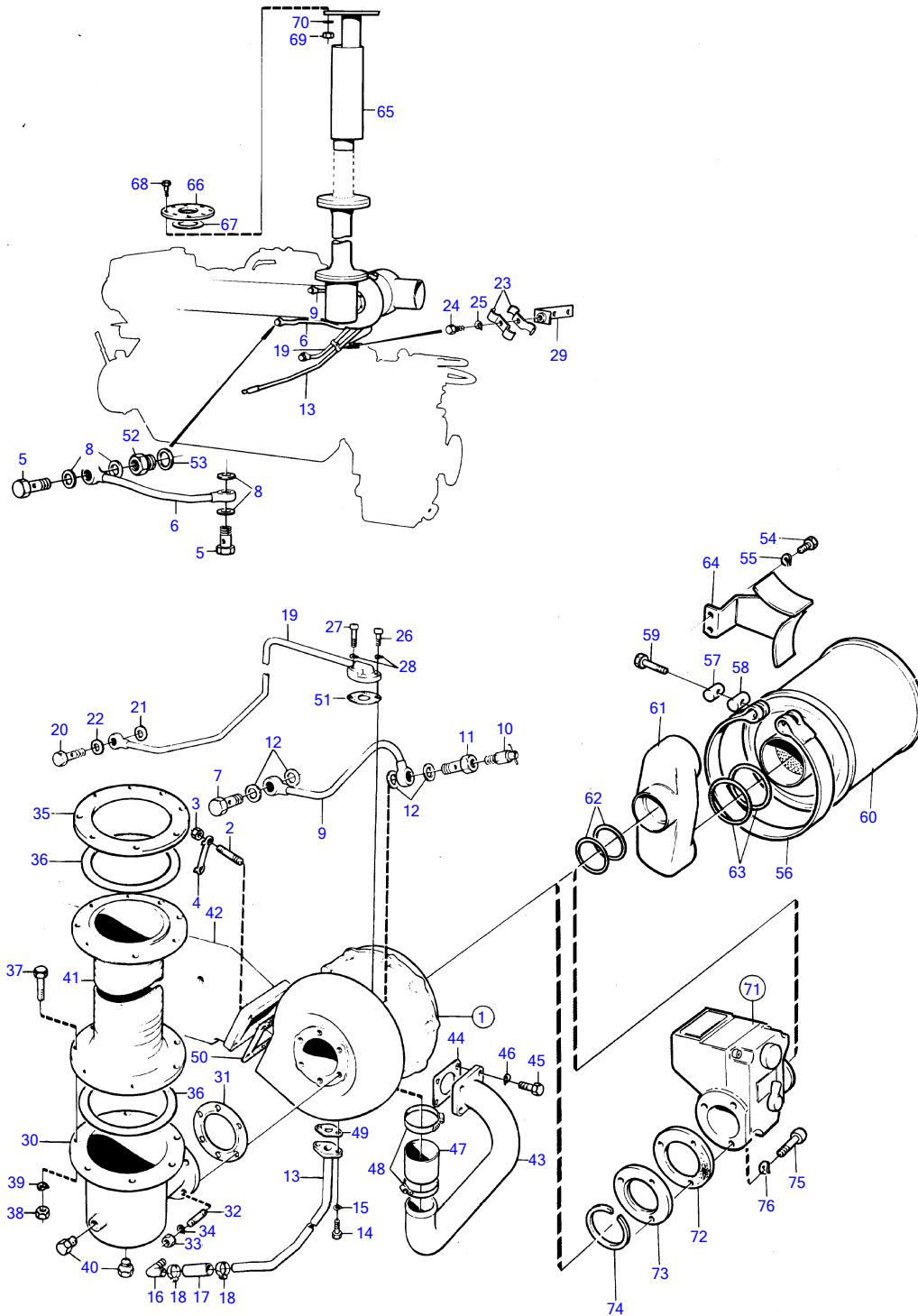


TAMD120B



5856

TAMD120B

| REF | PART NO. | QTY | DESCRIPTION | SEE SEC. | NOTES |
|-----|----------|-----|---|----------|--------------------------|
| 1 | | 1 | Turbocharger | | |
| | 3802009 | 1 | Turbocharger, exch | | |
| | | | . | 14497 | |
| | (844549) | 1 | Turbocharger | | Late type, Obsolete part |
| | | | . | 14497 | |
| 2 | 945851 | 4 | Stud | | |
| 3 | 943152 | 4 | Nut | | |
| 4 | 468219 | 2 | Lock washer | | |
| 5 | 944213 | 2 | Hollow screw | | (836969) |
| 6 | 842428 | 1 | Coolant pipe | | |
| 7 | 944213 | 1 | Hollow screw | | (836969) |
| 8 | 190957 | 4 | Gasket | | |
| 9 | 842429 | 1 | Coolant pipe | | |
| 10 | 949918 | 1 | Shut-off cock | | |
| 11 | 836981 | 1 | Screw | | |
| 12 | 190957 | 4 | Gasket | | |
| 13 | 822572 | 1 | Oil feed pipe | | |
| 14 | 940115 | 2 | Hexagon screw | | |
| 15 | 942336 | 2 | Spring washer | | |
| 16 | 468629 | 1 | Elbow nipple | | |
| 17 | 466328 | 1 | Rubber hose | | |
| 18 | 943474 | 2 | Hose clamp | | |
| 19 | 822571 | 1 | Oil pressure pipe | | |
| 20 | 942589 | 1 | Hollow screw | | |
| 21 | 942703 | 1 | Gasket | | |
| 22 | 957181 | 1 | Gasket | | |
| 23 | 820851 | 2 | Clamp | | |
| 24 | 955512 | 1 | Hexagon screw | | |
| 25 | 941906 | 1 | Spring washer | | |
| 26 | 956584 | 1 | Hex. socket screw | | |
| 27 | 956585 | 1 | Hex. socket screw | | |
| 28 | 942336 | 2 | Spring washer | | |
| 29 | 822625 | 1 | Bracket | | |
| 30 | 842423 | 1 | Exhaust riser | | |
| 31 | 411710 | 1 | Gasket | | |
| 32 | 953259 | 6 | Stud | | |
| 33 | 943152 | 6 | Nut | | |
| 34 | 942336 | 6 | Spring washer | | |
| 35 | 836887 | 1 | Weld flange | | |
| 36 | 836884 | 2 | Gasket | | |
| 37 | 955592 | 16 | Hexagon screw | | |
| 38 | 955829 | 16 | Hexagon nut | | |
| 39 | 941912 | 16 | Spring washer | | |
| 40 | 192154 | 2 | Plug | | |
| 41 | 836880 | 1 | Exhaust hose | | L=590mm |
| 42 | | | induction and exhaust manifold with installation components | 14492 | |
| 43 | 837481 | 1 | Intake bend | 14495 | |
| 44 | 836026 | 1 | Gasket | 14495 | |
| 45 | 956570 | 4 | Hex. socket screw | 14495 | |
| 46 | 941907 | 4 | Spring washer | 14495 | |
| 47 | 470327 | 1 | Hose | | (468621) |
| 48 | 468938 | 2 | Strip clamp | | |
| 49 | 417381 | 1 | Gasket | | D70B,classified engine. |
| 50 | 417382 | 1 | Gasket | | D70B,classified engine. |
| 51 | 417378 | 1 | Gasket | | D70B,classified engine. |
| 52 | 836993 | 1 | Nipple | | See group 2A |
| 53 | 469328 | 1 | Gasket | | See group 2A |
| 54 | 955588 | 2 | Hexagon screw | | |
| 55 | 941912 | 2 | Spring washer | | |
| 56 | 821028 | 2 | Tensioning band | | |
| 57 | 31404 | 2 | Clevis pin, threaded | | |

TAMD120B

| REF | PART NO. | QTY | DESCRIPTION | SEE SEC. | NOTES |
|-----|----------|-----|-------------------|----------|--|
| 58 | 31405 | 2 | Pin | | |
| 59 | 31406 | 2 | Hexagon screw | | |
| 60 | 842280 | 2 | Air filter | | |
| 61 | 842853 | 1 | Connection pipe | | |
| 62 | 925078 | 2 | O-ring | | |
| 63 | 925082 | 4 | O-ring | | |
| 64 | 842850 | 1 | Bracket | | |
| 65 | 836257 | 1 | Muffler | | L=1370mm |
| | 837224 | 1 | Muffler | | L=1675mm |
| 66 | (842002) | 2 | Weld flange | | D70B spec. 867055, 867060. TD70B spec. 867066., Obsolete part |
| | (842003) | 2 | Weld flange | | Engine with oil cooler fitted on front of the engine., Obsolete part |
| 67 | 842012 | 2 | Gasket | | D70B spec. 867055, 867060. TD70B spec. 867066. |
| | (842513) | 2 | Gasket | | Engine with oil cooler fitted on front of the engine., Obsolete part |
| 68 | 955592 | 16 | Hexagon screw | | |
| 69 | 955829 | 16 | Hexagon nut | | |
| 70 | 941912 | 16 | Spring washer | | |
| 71 | | 1 | emergency stop | | MOXXXX/43297- See group 3 |
| 72 | 843718 | 1 | Gasket | | Early type,engine without hydraulic pump. |
| 73 | 843704 | 1 | Attaching ring | | Early type,engine without hydraulic pump. |
| 74 | 843703 | 1 | Tensioning ring | | Early type,engine without hydraulic pump. |
| 75 | 959223 | 2 | Hex. socket screw | | Early type,engine without hydraulic pump., L=30mm |
| | 959233 | 1 | Hex. socket screw | | Early type,engine without hydraulic pump., L=80mm |
| 76 | 941907 | 3 | Spring washer | | Early type,engine without hydraulic pump. |