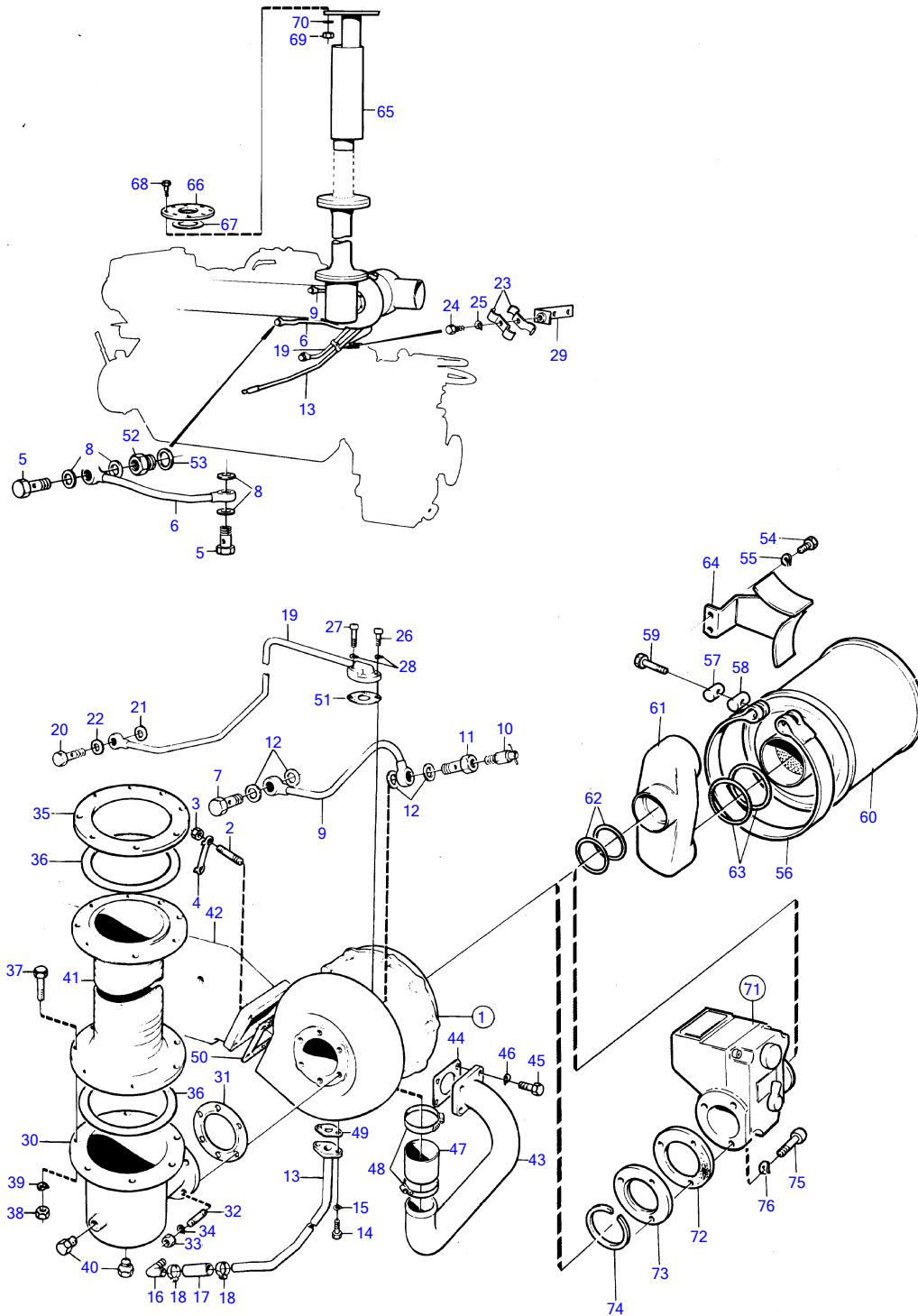


TAMD120B



5856

TAMD120B

REF	PART NO.	QTY	DESCRIPTION	SEE SEC.	NOTES
1		1	Turbocharger		
	3802009	1	Turbocharger, exch		
			.	14497	
	(844549)	1	Turbocharger		Late type, Obsolete part
			.	14497	
2	945851	4	Stud		
3	943152	4	Nut		
4	468219	2	Lock washer		
5	944213	2	Hollow screw		(836969)
6	842428	1	Coolant pipe		
7	944213	1	Hollow screw		(836969)
8	190957	4	Gasket		
9	842429	1	Coolant pipe		
10	949918	1	Shut-off cock		
11	836981	1	Screw		
12	190957	4	Gasket		
13	822572	1	Oil feed pipe		
14	940115	2	Hexagon screw		
15	942336	2	Spring washer		
16	468629	1	Elbow nipple		
17	466328	1	Rubber hose		
18	943474	2	Hose clamp		
19	822571	1	Oil pressure pipe		
20	942589	1	Hollow screw		
21	942703	1	Gasket		
22	957181	1	Gasket		
23	820851	2	Clamp		
24	955512	1	Hexagon screw		
25	941906	1	Spring washer		
26	956584	1	Hex. socket screw		
27	956585	1	Hex. socket screw		
28	942336	2	Spring washer		
29	822625	1	Bracket		
30	842423	1	Exhaust riser		
31	411710	1	Gasket		
32	953259	6	Stud		
33	943152	6	Nut		
34	942336	6	Spring washer		
35	836887	1	Weld flange		
36	836884	2	Gasket		
37	955592	16	Hexagon screw		
38	955829	16	Hexagon nut		
39	941912	16	Spring washer		
40	192154	2	Plug		
41	836880	1	Exhaust hose		L=590mm
42			induction and exhaust manifold with installation components	14492	
43	837481	1	Intake bend	14495	
44	836026	1	Gasket	14495	
45	956570	4	Hex. socket screw	14495	
46	941907	4	Spring washer	14495	
47	470327	1	Hose		(468621)
48	468938	2	Strip clamp		
49	417381	1	Gasket		D70B,classified engine.
50	417382	1	Gasket		D70B,classified engine.
51	417378	1	Gasket		D70B,classified engine.
52	836993	1	Nipple		See group 2A
53	469328	1	Gasket		See group 2A
54	955588	2	Hexagon screw		
55	941912	2	Spring washer		
56	821028	2	Tensioning band		
57	31404	2	Clevis pin, threaded		

TAMD120B

REF	PART NO.	QTY	DESCRIPTION	SEE SEC.	NOTES
58	31405	2	Pin		
59	31406	2	Hexagon screw		
60	842280	2	Air filter		
61	842853	1	Connection pipe		
62	925078	2	O-ring		
63	925082	4	O-ring		
64	842850	1	Bracket		
65	836257	1	Muffler		L=1370mm
	837224	1	Muffler		L=1675mm
66	(842002)	2	Weld flange		D70B spec. 867055, 867060. TD70B spec. 867066., Obsolete part
	(842003)	2	Weld flange		Engine with oil cooler fitted on front of the engine., Obsolete part
67	842012	2	Gasket		D70B spec. 867055, 867060. TD70B spec. 867066.
	(842513)	2	Gasket		Engine with oil cooler fitted on front of the engine., Obsolete part
68	955592	16	Hexagon screw		
69	955829	16	Hexagon nut		
70	941912	16	Spring washer		
71		1	emergency stop		MOXXXX/43297- See group 3
72	843718	1	Gasket		Early type,engine without hydraulic pump.
73	843704	1	Attaching ring		Early type,engine without hydraulic pump.
74	843703	1	Tensioning ring		Early type,engine without hydraulic pump.
75	959223	2	Hex. socket screw		Early type,engine without hydraulic pump., L=30mm
	959233	1	Hex. socket screw		Early type,engine without hydraulic pump., L=80mm
76	941907	3	Spring washer		Early type,engine without hydraulic pump.