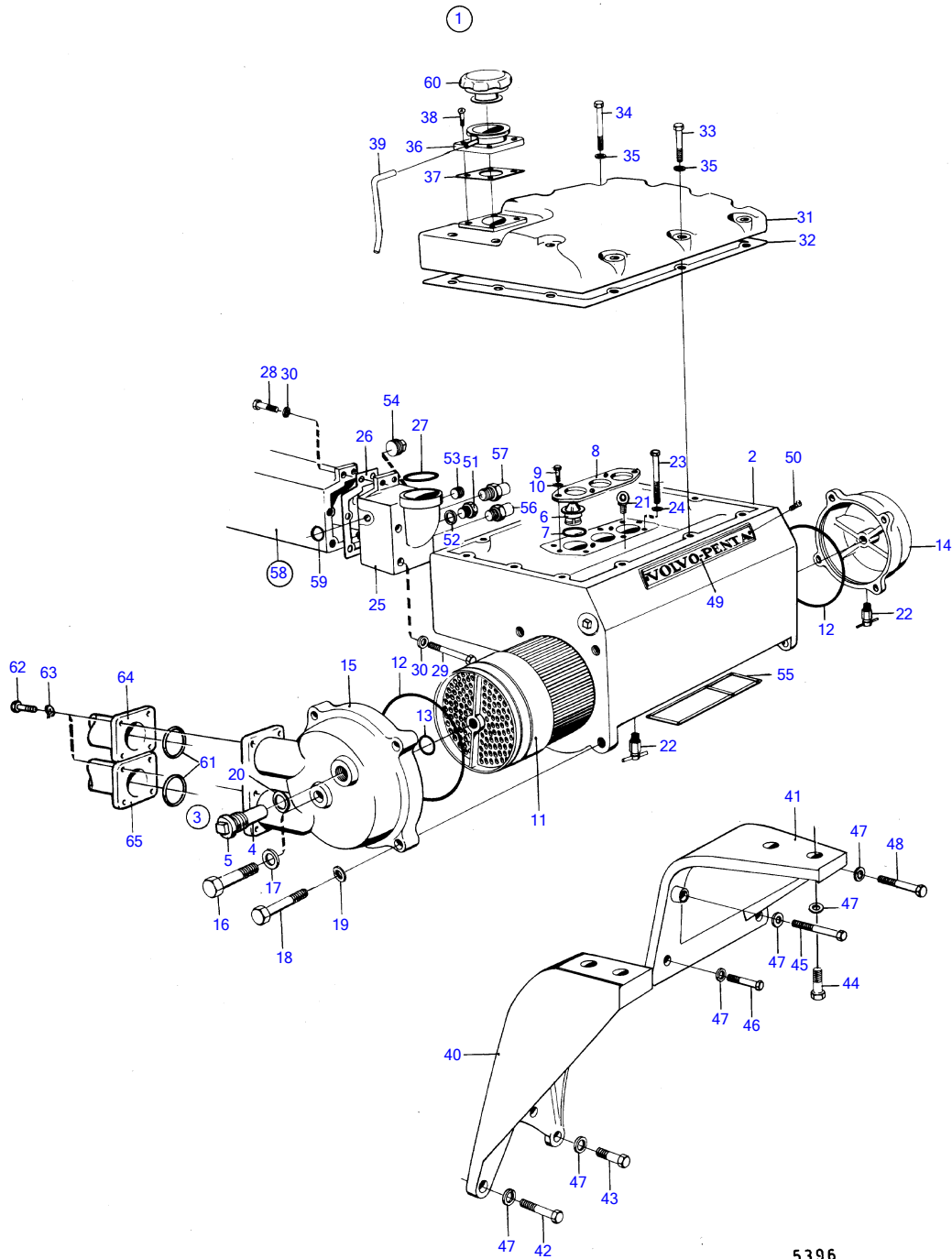


TAMD120B



## TAMD120B

REF	PART NO.	QTY	DESCRIPTION	SEE SEC.	NOTES
1	(844102)	1	Heat exchanger		Obsolete part
2	822629	1	• Heat exchanger housi		
3	823661	4	• Zinc anode		(823660) repl by 823661
4	823661	4	• • Zinc anode		
5	823662	4	• • Plug		
6	1544297	2	• Thermostat		76°C (467014)
	824200	1	• Thermostat		Early type 70°
	1544389	1	• Thermostat		Late type 70°
7	416033	3	• Sealing ring		
8	822628	1	• Thermostat retainer		
9	942342	4	• Hexagon screw		
10	941670	4	• Washer		
11	822618	1	• Heat exchanger eleme		
12	925278	4	• O-ring		
13	955977	1	• O-ring		
14	822621	1	• End cover		
15	844040	1	• End cover		
16	955598	1	• Hexagon screw		
17	941912	1	• Spring washer		
18	955536	8	• Hexagon screw		
19	942336	8	• Spring washer		
20	836169	4	• Gasket		
21	(803311)	1	• Lifting eye		Obsolete part
22	949918	3	Shut-off cock		(82745)
23	959979	6	Hexagon screw		
24	942551	6	Washer		
25	822574	1	End cover		
26	822554	1	Gasket		
27	836746	1	Sealing ring		
28	955535	2	Hexagon screw		
29	942338	4	Hexagon screw		
30	942336	6	Spring washer		
31	844262	1	Cover		
32	822632	1	Gasket		
33	955536	6	Hexagon screw		
34	955538	4	Hexagon screw		
35	942336	10	Spring washer		
36	823580	1	Filler neck		
37	842137	1	Gasket		
38	950158	4	Cross recessed sunk		
39	192618	X	Hose		L=1000mm
40	(823036)	1	Bracket		Obsolete part
41	820730	1	Bracket		
42	955541	3	Hexagon screw		
43	955535	1	Hexagon screw		
44	940162	4	Hexagon screw		
45	940156	1	Hexagon screw		
46	955539	2	Hexagon screw		
47	942336	12	Spring washer		
48	955543	1	Hexagon screw		
49	820232	1	Sign		
50	950210	3	Cross recessed screw		
51	180761		Plug		Replaced by 1ea 1544389.
52	11996		Gasket		Replaced by 1ea 1544389.
53	952077		Plug		Replaced by 1ea 1544389.
54	190998	1	Plug		
55	423352	1	Gasket		
				14514	
56	837044	1	Temperature sensor		See group 3
57	822858	1	• Thermo monitor, alarm		See group 9
58	836841	1	Exhaust pipe	14492	
59	822575	6	Sealing ring	14492	
60	321973	1	Filler cap		

