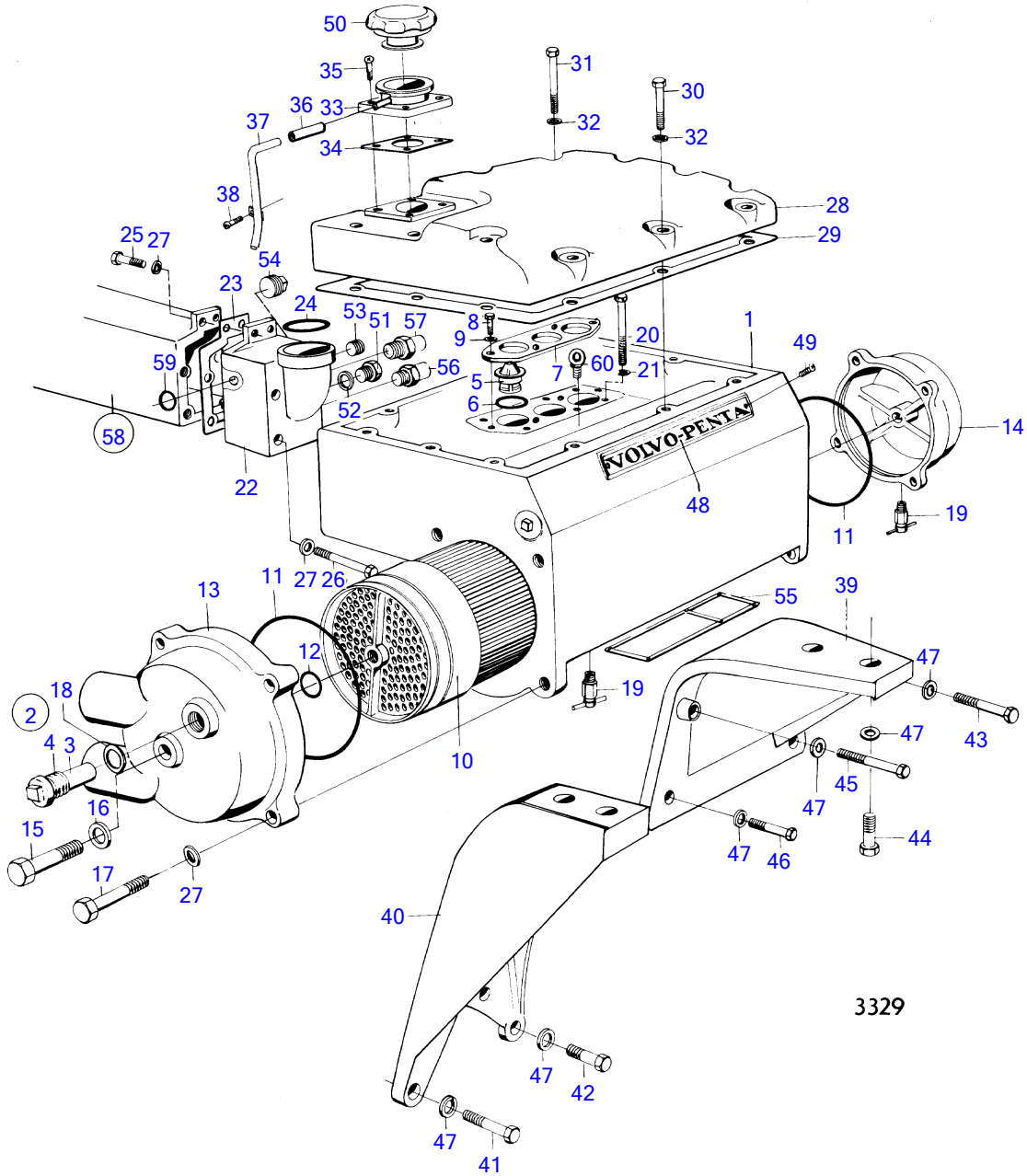


MD120A



MD120A

| REF | PART NO. | QTY | DESCRIPTION | SEE SEC. | NOTES |
|-----|----------|-----|--------------------------------------|----------|--------------------------------------|
| 1 | 822629 | 1 | Heat exchanger housi | | |
| 2 | 823661 | 4 | Zinc anode | | (823660) repl by 823661 |
| 3 | 823661 | 4 | • Zinc anode | | |
| 4 | 823662 | 4 | • Plug | | |
| 5 | 1544297 | 2 | Thermostat | | 76°C (467014) |
| | 824200 | 1 | Thermostat | | Early type 70° |
| | 1544389 | 1 | Thermostat | | Late type 70° |
| 6 | 416033 | 3 | Sealing ring | | |
| 7 | 822628 | 1 | Thermostat retainer | | |
| 8 | 942342 | 4 | Hexagon screw | | |
| 9 | 941670 | 4 | Washer | | |
| 10 | 822618 | 1 | Heat exchanger eleme | | |
| 11 | 925278 | 4 | O-ring | | |
| 12 | 955977 | 1 | O-ring | | |
| 13 | (822544) | 1 | Cover | | Obsolete part |
| 14 | 822621 | 1 | End cover | | |
| 15 | 955598 | 1 | Hexagon screw | | |
| 16 | 941912 | 1 | Spring washer | | |
| 17 | 955536 | 8 | Hexagon screw | | |
| 18 | 836169 | 4 | Gasket | | |
| 19 | 949918 | 3 | Shut-off cock | | (82745) |
| 20 | 959979 | 6 | Hexagon screw | | |
| 21 | 942551 | 6 | Washer | | |
| 22 | 822574 | 1 | End cover | | |
| 23 | 822554 | 1 | Gasket | | |
| 24 | 836746 | 1 | Sealing ring | | |
| 25 | 955535 | 2 | Hexagon screw | | |
| 26 | 942338 | 4 | Hexagon screw | | |
| 27 | 942336 | 14 | Spring washer | | |
| 28 | 822631 | 1 | Cover | | |
| 29 | 822632 | 1 | Gasket | | |
| 30 | 955536 | 6 | Hexagon screw | | |
| 31 | 955538 | 4 | Hexagon screw | | |
| 32 | 942336 | 10 | Spring washer | | |
| 33 | 823580 | 1 | Filler neck | | |
| 34 | 842137 | 1 | Gasket | | |
| 35 | 950158 | 4 | Cross recessed sunk | | |
| 36 | 192618 | X | Hose | | L=50mm early type |
| | 192618 | X | Hose | | L=1000mm late type |
| 37 | | 1 | overflow pipe | | Alternator, mounted low., Early type |
| 38 | (950019) | 1 | Cross recessed screw | | Early type, Obsolete part |
| 39 | 820730 | 1 | Bracket | | |
| 40 | (823036) | 1 | Bracket | | Obsolete part |
| 41 | 955541 | 3 | Hexagon screw | | |
| 42 | 955535 | 1 | Hexagon screw | | |
| 43 | 955543 | 1 | Hexagon screw | | |
| 44 | 940162 | 4 | Hexagon screw | | |
| 45 | 940156 | 1 | Hexagon screw | | |
| 46 | 955539 | 2 | Hexagon screw | | |
| 47 | 942336 | 12 | Spring washer | | |
| 48 | 820232 | 1 | Sign | | |
| 49 | 950210 | 3 | Cross recessed screw | | |
| 50 | 321973 | 1 | Filler cap | | |
| 51 | 180761 | | Plug | | Replaced by 1ea 1544389. |
| 52 | 11996 | | Gasket | | Replaced by 1ea 1544389. |
| 53 | 952077 | | Plug | | Replaced by 1ea 1544389. |
| 54 | 190998 | 1 | Plug | | |
| 55 | 423352 | 1 | Gasket | | |
| | | | | 14514 | |
| 56 | 827150 | 1 | Sensor | | See group 3 |
| 57 | 822858 | 1 | • Thermo monitor, alarm thermoswitch | | See group 9 |
| | | 1 | • | | Spec 867096, 867097 |
| | | | | | See group 3 |

