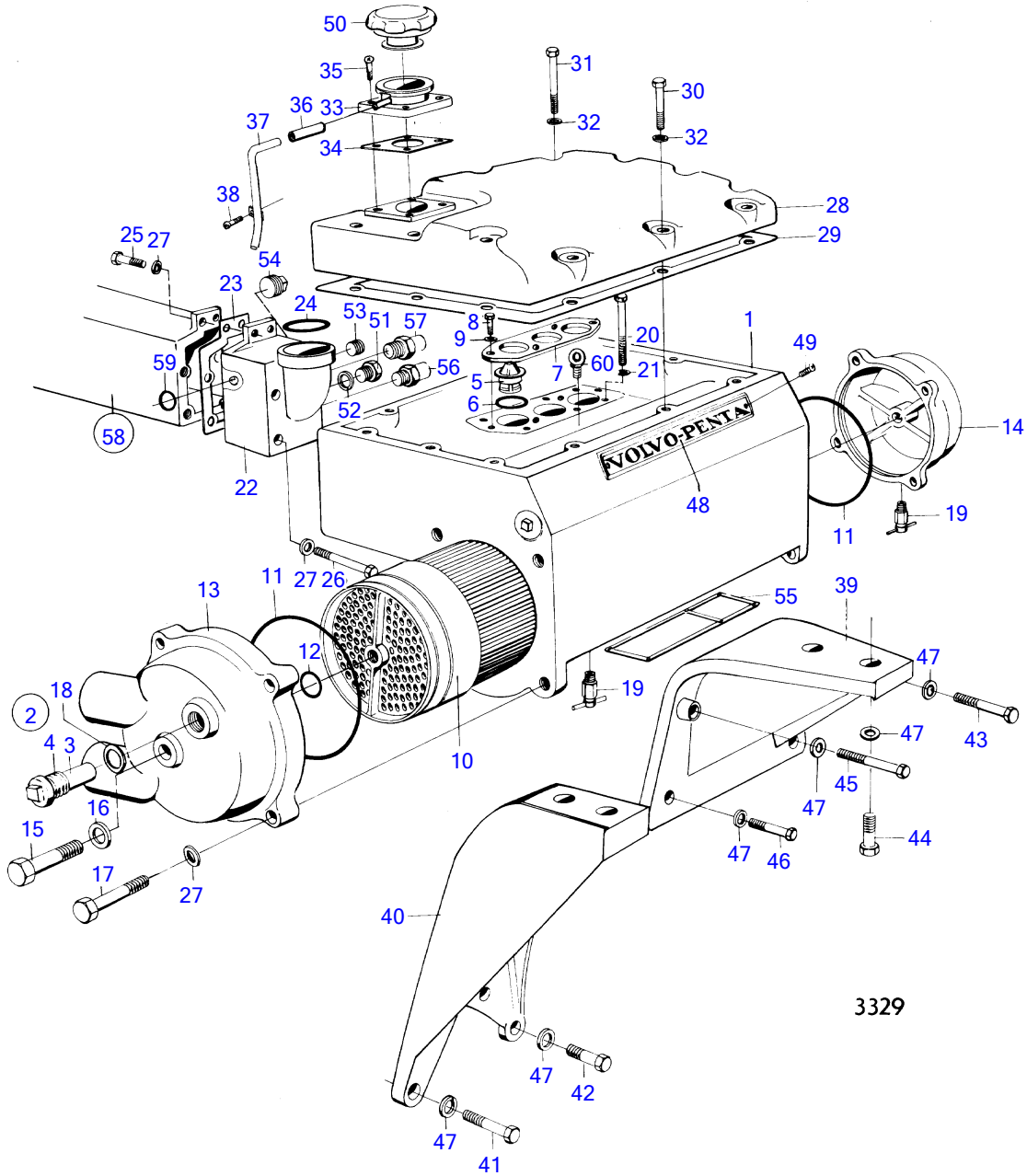


MD120A



3329

## MD120A

| REF | PART NO. | QTY | DESCRIPTION                          | SEE SEC. | NOTES                                |
|-----|----------|-----|--------------------------------------|----------|--------------------------------------|
| 1   | 822629   | 1   | Heat exchanger housi                 |          |                                      |
| 2   | 823661   | 4   | Zinc anode                           |          | (823660) repl by 823661              |
| 3   | 823661   | 4   | • Zinc anode                         |          |                                      |
| 4   | 823662   | 4   | • Plug                               |          |                                      |
| 5   | 1544297  | 2   | Thermostat                           |          | 76°C (467014)                        |
|     | 824200   | 1   | Thermostat                           |          | Early type 70°                       |
|     | 1544389  | 1   | Thermostat                           |          | Late type 70°                        |
| 6   | 416033   | 3   | Sealing ring                         |          |                                      |
| 7   | 822628   | 1   | Thermostat retainer                  |          |                                      |
| 8   | 942342   | 4   | Hexagon screw                        |          |                                      |
| 9   | 941670   | 4   | Washer                               |          |                                      |
| 10  | 822618   | 1   | Heat exchanger eleme                 |          |                                      |
| 11  | 925278   | 4   | O-ring                               |          |                                      |
| 12  | 955977   | 1   | O-ring                               |          |                                      |
| 13  | (822544) | 1   | Cover                                |          | Obsolete part                        |
| 14  | 822621   | 1   | End cover                            |          |                                      |
| 15  | 955598   | 1   | Hexagon screw                        |          |                                      |
| 16  | 941912   | 1   | Spring washer                        |          |                                      |
| 17  | 955536   | 8   | Hexagon screw                        |          |                                      |
| 18  | 836169   | 4   | Gasket                               |          |                                      |
| 19  | 949918   | 3   | Shut-off cock                        |          | (82745)                              |
| 20  | 959979   | 6   | Hexagon screw                        |          |                                      |
| 21  | 942551   | 6   | Washer                               |          |                                      |
| 22  | 822574   | 1   | End cover                            |          |                                      |
| 23  | 822554   | 1   | Gasket                               |          |                                      |
| 24  | 836746   | 1   | Sealing ring                         |          |                                      |
| 25  | 955535   | 2   | Hexagon screw                        |          |                                      |
| 26  | 942338   | 4   | Hexagon screw                        |          |                                      |
| 27  | 942336   | 14  | Spring washer                        |          |                                      |
| 28  | 822631   | 1   | Cover                                |          |                                      |
| 29  | 822632   | 1   | Gasket                               |          |                                      |
| 30  | 955536   | 6   | Hexagon screw                        |          |                                      |
| 31  | 955538   | 4   | Hexagon screw                        |          |                                      |
| 32  | 942336   | 10  | Spring washer                        |          |                                      |
| 33  | 823580   | 1   | Filler neck                          |          |                                      |
| 34  | 842137   | 1   | Gasket                               |          |                                      |
| 35  | 950158   | 4   | Cross recessed sunk                  |          |                                      |
| 36  | 192618   | X   | Hose                                 |          | L=50mm early type                    |
|     | 192618   | X   | Hose                                 |          | L=1000mm late type                   |
| 37  |          | 1   | overflow pipe                        |          | Alternator, mounted low., Early type |
| 38  | (950019) | 1   | Cross recessed screw                 |          | Early type, Obsolete part            |
| 39  | 820730   | 1   | Bracket                              |          |                                      |
| 40  | (823036) | 1   | Bracket                              |          | Obsolete part                        |
| 41  | 955541   | 3   | Hexagon screw                        |          |                                      |
| 42  | 955535   | 1   | Hexagon screw                        |          |                                      |
| 43  | 955543   | 1   | Hexagon screw                        |          |                                      |
| 44  | 940162   | 4   | Hexagon screw                        |          |                                      |
| 45  | 940156   | 1   | Hexagon screw                        |          |                                      |
| 46  | 955539   | 2   | Hexagon screw                        |          |                                      |
| 47  | 942336   | 12  | Spring washer                        |          |                                      |
| 48  | 820232   | 1   | Sign                                 |          |                                      |
| 49  | 950210   | 3   | Cross recessed screw                 |          |                                      |
| 50  | 321973   | 1   | Filler cap                           |          |                                      |
| 51  | 180761   |     | Plug                                 |          | Replaced by 1ea 1544389.             |
| 52  | 11996    |     | Gasket                               |          | Replaced by 1ea 1544389.             |
| 53  | 952077   |     | Plug                                 |          | Replaced by 1ea 1544389.             |
| 54  | 190998   | 1   | Plug                                 |          |                                      |
| 55  | 423352   | 1   | Gasket                               |          |                                      |
|     |          |     |                                      | 14514    |                                      |
| 56  | 827150   | 1   | Sensor                               |          | See group 3                          |
| 57  | 822858   | 1   | • Thermo monitor, alarm thermoswitch |          | See group 9                          |
|     |          | 1   | •                                    |          | Spec 867096, 867097                  |
|     |          |     |                                      |          | See group 3                          |

