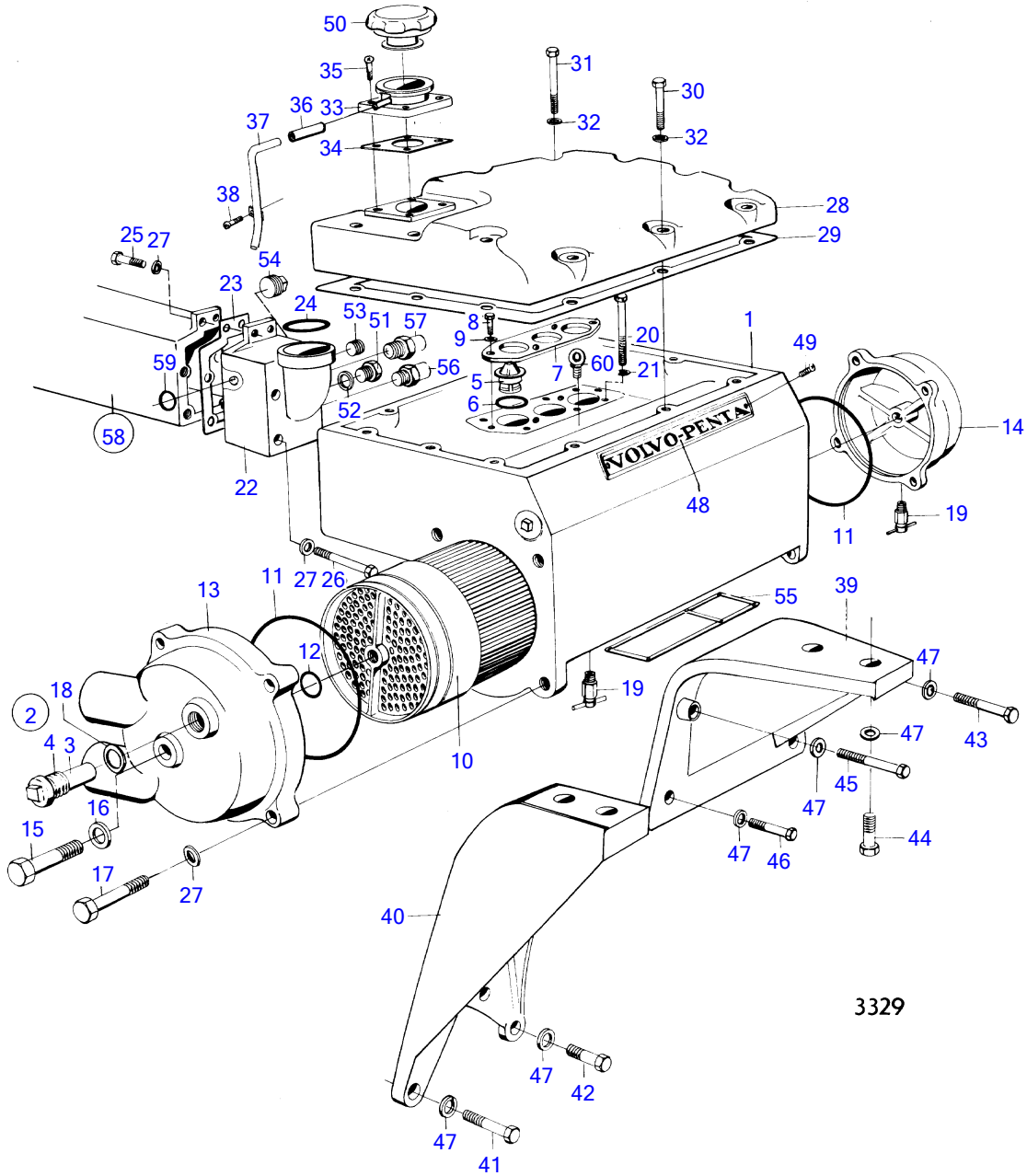


MD120A



MD120A

REF	PART NO.	QTY	DESCRIPTION	SEE SEC.	NOTES
1	822629	1	Heat exchanger housi		
2	823661	4	Zinc anode		(823660) repl by 823661
3	823661	4	• Zinc anode		
4	823662	4	• Plug		
5	1544297	2	Thermostat		76°C (467014)
	824200	1	Thermostat		Early type 70°
	1544389	1	Thermostat		Late type 70°
6	416033	3	Sealing ring		
7	822628	1	Thermostat retainer		
8	942342	4	Hexagon screw		
9	941670	4	Washer		
10	822618	1	Heat exchanger eleme		
11	925278	4	O-ring		
12	955977	1	O-ring		
13	(822544)	1	Cover		Obsolete part
14	822621	1	End cover		
15	955598	1	Hexagon screw		
16	941912	1	Spring washer		
17	955536	8	Hexagon screw		
18	836169	4	Gasket		
19	949918	3	Shut-off cock		(82745)
20	959979	6	Hexagon screw		
21	942551	6	Washer		
22	822574	1	End cover		
23	822554	1	Gasket		
24	836746	1	Sealing ring		
25	955535	2	Hexagon screw		
26	942338	4	Hexagon screw		
27	942336	14	Spring washer		
28	822631	1	Cover		
29	822632	1	Gasket		
30	955536	6	Hexagon screw		
31	955538	4	Hexagon screw		
32	942336	10	Spring washer		
33	823580	1	Filler neck		
34	842137	1	Gasket		
35	950158	4	Cross recessed sunk		
36	192618	X	Hose		L=50mm early type
	192618	X	Hose		L=1000mm late type
37		1	overflow pipe		Alternator, mounted low., Early type
38	(950019)	1	Cross recessed screw		Early type, Obsolete part
39	820730	1	Bracket		
40	(823036)	1	Bracket		Obsolete part
41	955541	3	Hexagon screw		
42	955535	1	Hexagon screw		
43	955543	1	Hexagon screw		
44	940162	4	Hexagon screw		
45	940156	1	Hexagon screw		
46	955539	2	Hexagon screw		
47	942336	12	Spring washer		
48	820232	1	Sign		
49	950210	3	Cross recessed screw		
50	321973	1	Filler cap		
51	180761		Plug		Replaced by 1ea 1544389.
52	11996		Gasket		Replaced by 1ea 1544389.
53	952077		Plug		Replaced by 1ea 1544389.
54	190998	1	Plug		
55	423352	1	Gasket		
				14514	
56	827150	1	Sensor		See group 3
57	822858	1	• Thermo monitor, alarm thermoswitch		See group 9
		1	•		Spec 867096, 867097
					See group 3

