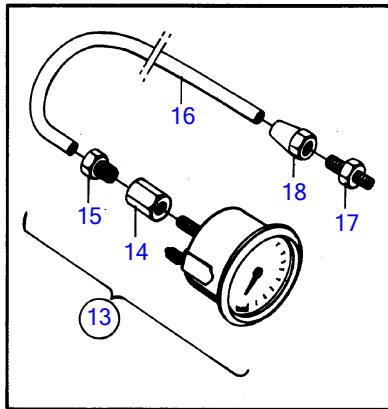
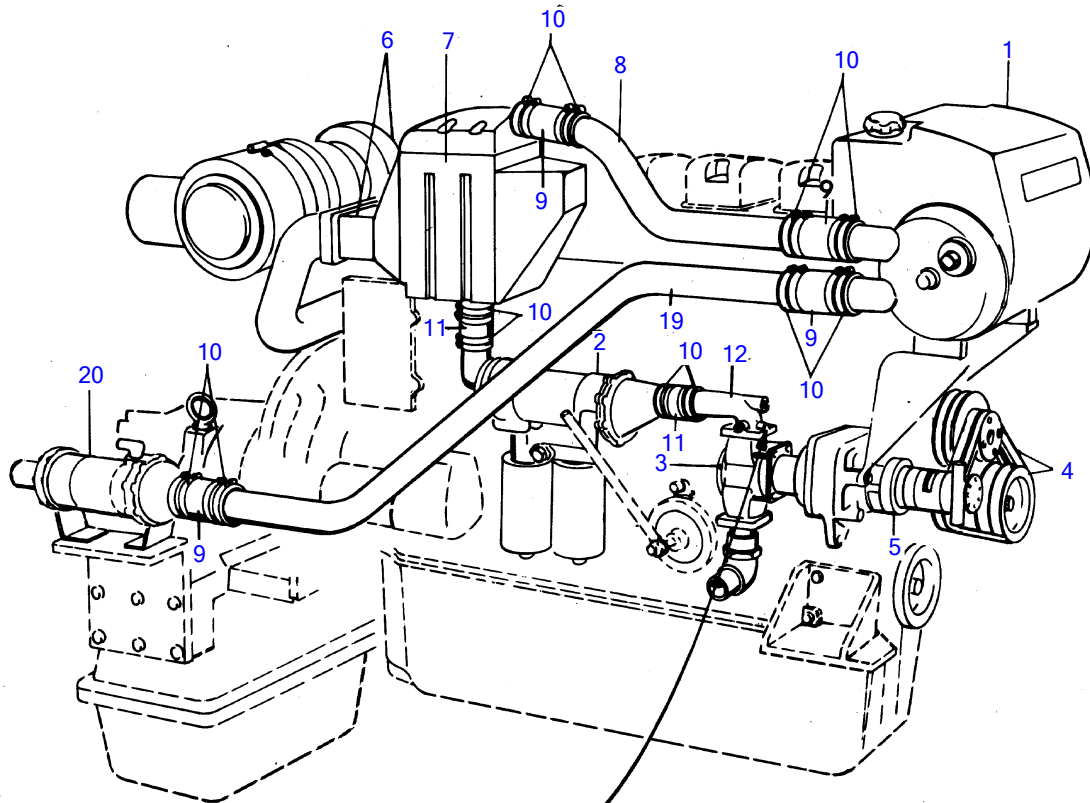


TAMD120A



2842

## TAMD120A

| REF | PART NO. | QTY | DESCRIPTION                                                    | SEE SEC. | NOTES                   |
|-----|----------|-----|----------------------------------------------------------------|----------|-------------------------|
| 1   |          |     | heat exchanger and thermostat with installation components     | 14502    |                         |
| 2   |          |     | oil cooler with installation components                        | 14506    |                         |
| 3   |          |     | sea water pump with installation components                    | 14509    |                         |
| 4   |          |     | circulation pump and drive device with installation components | 14514    |                         |
| 5   |          |     | bilge pump with installation components                        |          | See group 9             |
| 6   |          |     | induction and exhaust system                                   | 14489    |                         |
| 7   |          |     | after cooler with installation components                      | 14494    |                         |
| 8   | (836038) | 1   | Coolant pipe                                                   |          | Obsolete part           |
| 9   | 943372   | X   | Rubber hose, rubber hose                                       |          | L=110mm                 |
|     |          |     |                                                                | 14494    |                         |
| 10  | 943480   | 24  | Hose clamp                                                     |          |                         |
|     |          |     |                                                                | 14494    |                         |
| 11  | 943372   | X   | Rubber hose, rubber hose                                       |          | L=90mm                  |
|     |          |     |                                                                | 14494    |                         |
| 12  | (836036) | 1   | End cover                                                      | 14509    | Obsolete part           |
| 13  | (819815) | 1   | Pressure gauge kit                                             |          | Obsolete part           |
| 14  | (809410) | 1   | • Nut                                                          |          | Obsolete part           |
| 15  | 87698    | 1   | • Fitting screw                                                |          |                         |
| 16  | (954303) | X   | • Tube                                                         |          | L=5000mm, Obsolete part |
| 17  | (954334) | 1   | Nipple                                                         |          | Obsolete part           |
| 18  | 954320   | 1   | Fitting nut                                                    |          |                         |
| 19  |          | 1   | cooling water pipe                                             |          | See group 4A            |
| 20  | 837099   | 1   | Oil cooler                                                     |          | See group 4A            |