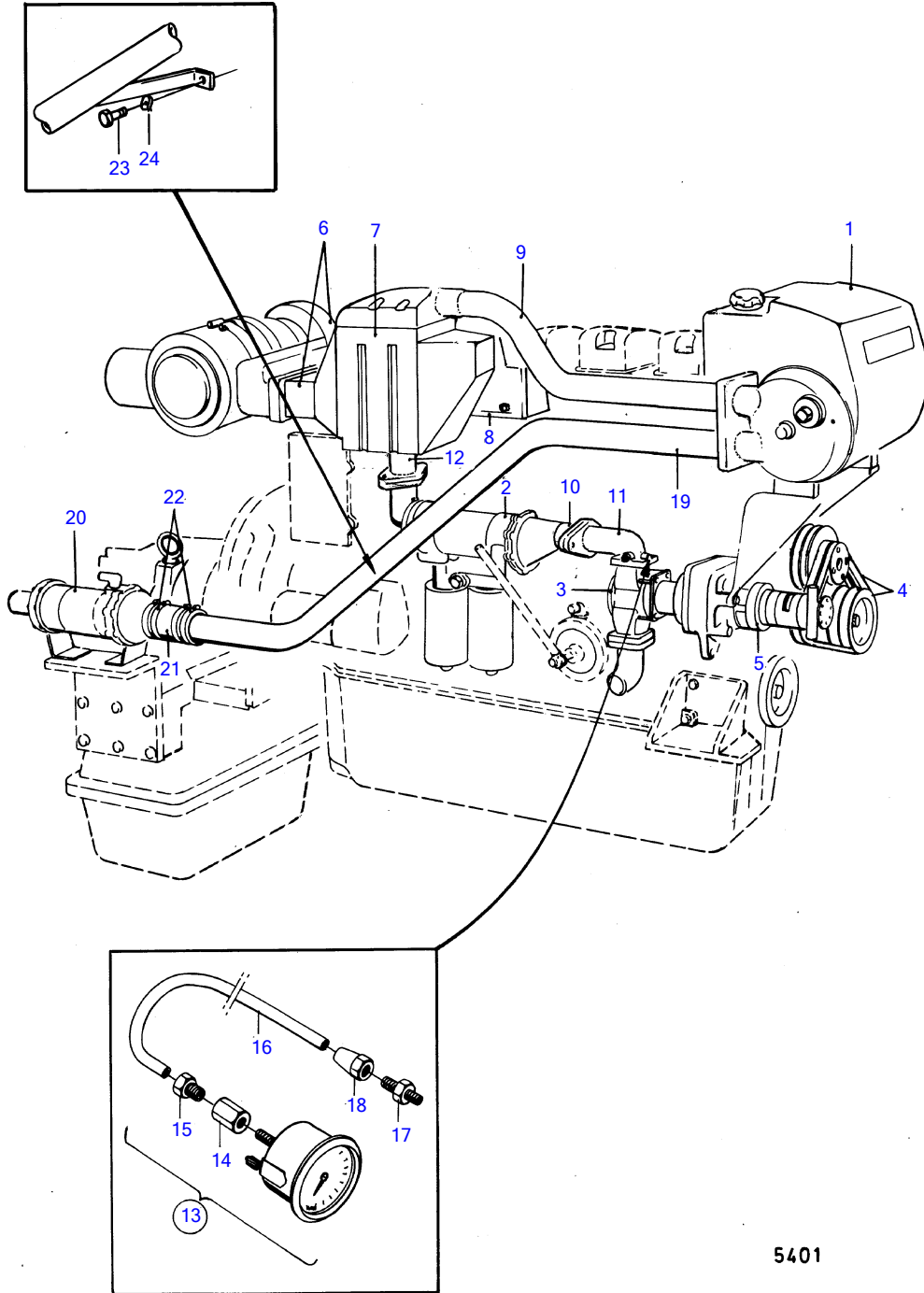


TAMD120B



5401

## TAMD120B

REF	PART NO.	QTY	DESCRIPTION	SEE SEC.	NOTES
1			heat exchanger and thermostat with installation components	14503	
2			oil cooler with installation components	14507	
3			sea water pump with installation components	14509	
4			circulation pump and drive device with installation components	14514	
5			bilge pump with installation components		See group 9
6			induction and exhaust system	14490	
7			after cooler with installation components	14495	
8			starting heater		See group 3
9	843587	1	Coolant pipe		
10	843565	1	Pipe connection	14507	
11	842866	1	Riser	14509	
12	843565	1	Pipe connection, pipe connection	14495	
				14507	
13	(819815)	1	Pressure gauge kit		Obsolete part
14	(809410)	1	• Nut		Obsolete part
15	87698	1	• Fitting screw		
16	(954303)	X	• Tube		L=5000mm, Obsolete part
17	(954334)	1	Nipple		Obsolete part
18	954320	1	Fitting nut		
19	(844762)	1	Coolant pipe		See group 4A, Obsolete part
20	837099	1	Oil cooler		See group 4A
21	943372	X	Rubber hose		See group 4A L=190mm
22	943480	4	Hose clamp		See group 4A
23	955523	1	Hexagon screw		
24	941907	1	Spring washer		