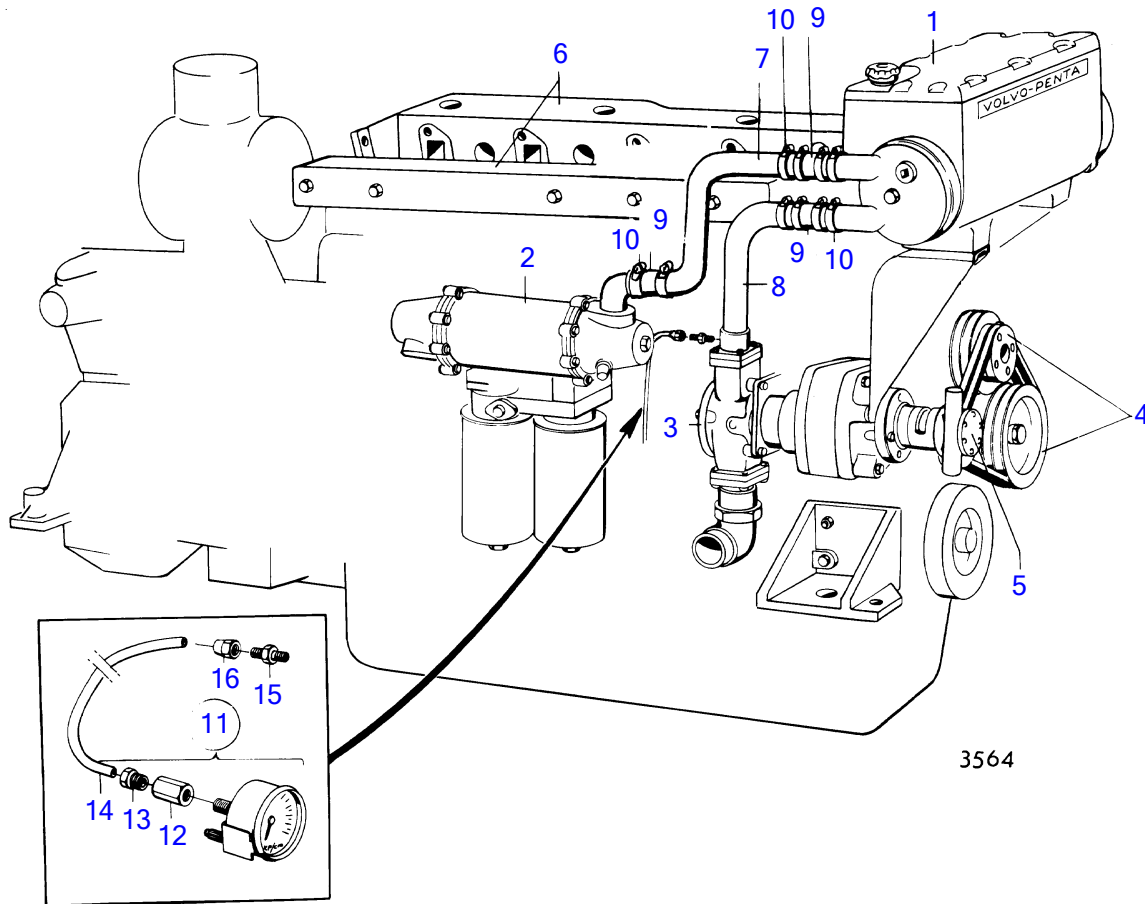


MD120A



MD120A

| REF | PART NO. | QTY | DESCRIPTION | SEE SEC. | NOTES |
|-----|----------|-----|--|----------|---|
| 1 | | | heat exchanger and thermostat with installation components | 14502 | |
| 2 | | | oil cooler with installation components | 14505 | |
| 3 | | | sea water pump with installation components | 14509 | |
| 4 | | | circulation pump and drive device with installation components | 14514 | |
| 5 | | | bilge pump with installation components | | See group 9 |
| 6 | | 1 | induction and exhaust system | 14516 | |
| 7 | | 1 | cooling water pipe | | Alternator, mounted high., MO-XXXX/3456 |
| | (837000) | 1 | Tube | | MOXXXX/3457-, Obsolete part |
| 8 | (822626) | 1 | Coolant pipe | 14509 | Obsolete part |
| 9 | 949478 | X | Rubber hose | | L=110mm |
| 10 | 943477 | 12 | Hose clamp | | (951793) |
| 11 | (819815) | 1 | Pressure gauge kit | | Obsolete part |
| 12 | (809410) | 1 | • Nut | | Obsolete part |
| 13 | 87698 | 1 | • Fitting screw | | |
| 14 | (954303) | X | • Tube | | L=5000mm, Obsolete part |
| 15 | (954334) | 1 | Nipple | | Obsolete part |
| 16 | 954320 | 1 | Fitting nut | | |
| | | | keel cooling system | | See group 9 |