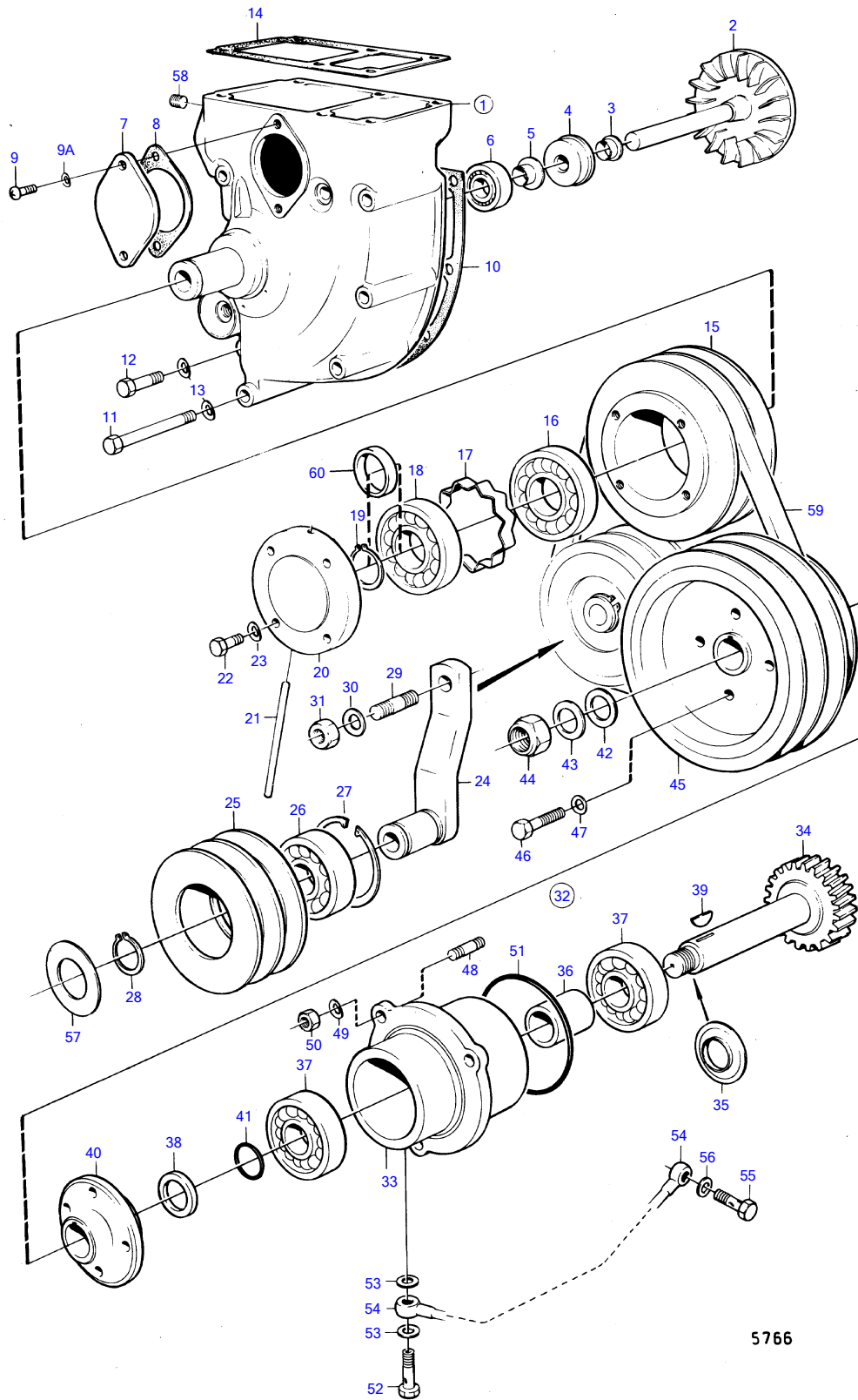


MD120A



5766

## MD120A

REF	PART NO.	QTY	DESCRIPTION	SEE SEC.	NOTES
1	875648	1	Water pump		
2	823484	1	• Shaft		
3	421306	1	• Wear ring		
4	1545283	1	• Sealing ring		(1542833)
5	70913	1	• Deflector		
6	181670	1	• Ball bearing		
7	(896699)	1	Flange		MO-31682/XXXX, Obsolete part
	843407	1	Flange		MO31683/XXXX-, early type
	846685	1	Flange		Late type
8	423138	1	Gasket		MO-31682/XXXX
	422171	1	Gasket		MO31683/XXXX-
9	(950171)	2	Screw		MO-31682/XXXX, Obsolete part
	940135	3	Hexagon screw		MO31683/XXXX-, early type
	955524	3	Hexagon screw		Late type
9A	941907	3	Spring washer		MO31683/XXXX-
10	423351	1	Gasket		
11	955536	5	Hexagon screw		
12	955542	2	Hexagon screw		
13	942336	7	Spring washer		
14	423352	1	Gasket, gasket		
				14502	
				14503	
15	822548	1	V-belt pulley		
16	181538	1	Ball bearing		
17	422202	1	Spacer sleeve		
18	1542870	1	Roller bearing		
19	914462	1	Snap ring		
20	836805	1	Companion flange		
21	951969	1	Spring pin		
22	940159	4	Hexagon screw		
23	941907	4	Spring washer		
24	822567	1	Intermediate lever		
25	822551	1	V-belt pulley		
26	1544092	1	Ball bearing		(181430)
27	914533	1	Snap ring		
28	914462	1	Snap ring		
29	953354	1	Stud		
30	941911	1	Spring washer		
31	955828	1	Hexagon nut		
32		1	drive device		For engine without Volvo Penta radiator., MO-18862/XXXX
			• components		
			drive device		Late type MO18863/XXXX-
33	837703	1	• Bearing housing		
34	837704	1	• Gear		
35	837705	1	• Deflector		
36	837706	1	• Spacer sleeve		
37	183731	2	• Ball bearing		
38	958856	1	• Sealing ring		
39	909867	1	• Flat key		
40	837707	1	• Hub		
41	190418	1	• O-ring		
42	947170	1	• Gasket		
43	837708	1	• Washer		
44	949399	1	• Lock nut		(950358)
45		1	pulley		For engine without Volvo Penta radiator., MO-18862/XXXX
	(837710)	1	V-belt pulley		MO18863/XXXX-, Obsolete part
46	955534	4	Hexagon screw		MO18863/XXXX-
47	942336	4	Spring washer		MO18863/XXXX-
48	953280	2	Stud		L=120mm
	953257	1	Stud		L=35mm
49	942336	3	Spring washer		
50	955827	3	Hexagon nut		
51	949660	1	O-ring		(925254)

7742190-26-14514

5766

Upd:2011-08-15

MD120A

REF	PART NO.	QTY	DESCRIPTION	SEE SEC.	NOTES
52	844625	1	Hollow screw		MO18863/XXXX-
53	957171	2	Gasket		MO18863/XXXX-
54	837711	1	Tube		MO18863/XXXX-
55	837709	1	Hollow screw, hollow bolt		MO18863/XXXX-
					See group 2C
56	11994	1	Gasket		MO18863/XXXX-
57	420416	1	Protecting plate		
58	952077	1	Plug		
59	958349	1	V-belt, circulation pump		
60	1542871	1	Spacer sleeve		MO50264/XXXX-
	875461	1	Overhaul kit		
			circulation pump		