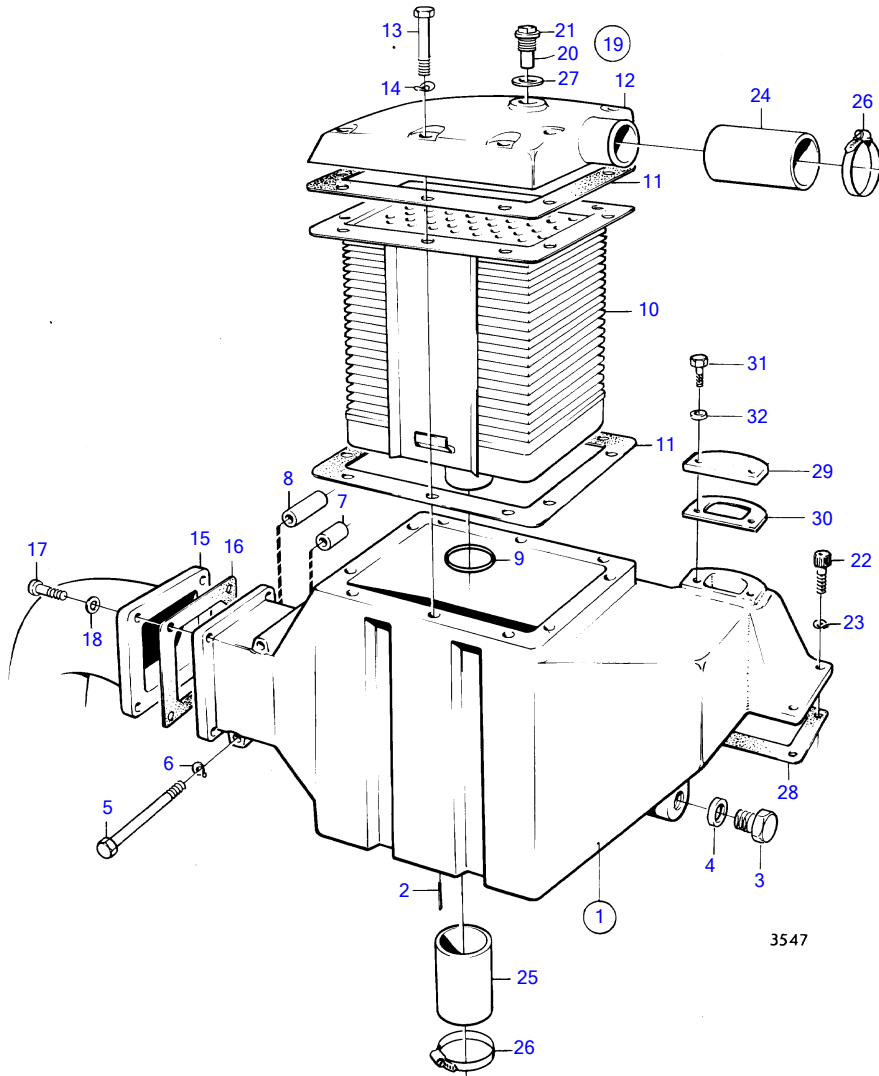
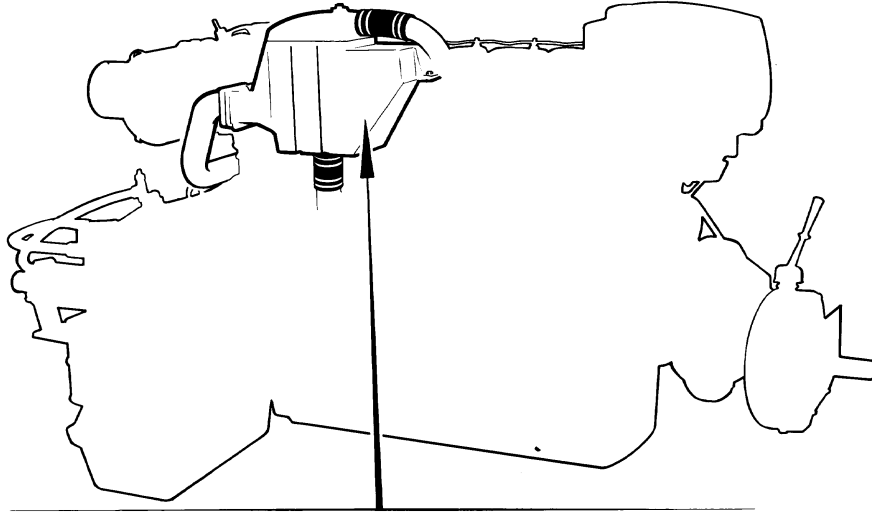


TAMD120A



TAMD120A

REF	PART NO.	QTY	DESCRIPTION	SEE SEC.	NOTES
1		1	housing		Early type D70B spec. 867060. TD70B spec. 867066.
	(842042)	1	Housing		MO15908/XXXX-, Obsolete part
2	951946	1	• Spring pin		
3	960632	1	• Plug		MO15908/XXXX-
4	957181	1	• Gasket		MO15908/XXXX-
5	945749	2	Hexagon screw	14492	
6	941907	2	Spring washer		
7	836838	1	Spacer sleeve		
8	823498	1	Spacer sleeve		
9	925254	1	O-ring		
10	(836812)	1	Intermed cooler kit		Obsolete part
11	836015	2	Gasket		
12	(836014)	1	Cover		Obsolete part
13	940161	10	Hexagon screw		
14	941907	10	Spring washer		
15	837481	1	Intake bend	14489	
16	836026	1	Gasket	14489	
17	956570	4	Hex. socket screw	14489	
18	941907	4	Spring washer	14489	
19	823661	1	Zinc anode		(823660) repl by 823661
20	823661	1	• Zinc anode		
21	823662	1	• Plug		
22	956571	4	Hex. socket screw		
23	941907	4	Spring washer		
24	943372	X	Rubber hose, rubber hose		L=110mm
				14498	
25	943372	X	Rubber hose, rubber hose		L=90mm
				14498	
26	943479	8	Hose clamp, hose clamp		(951795)
				14498	
27	836169	1	Gasket		
28	423336	1	Gasket		
29	(842044)	1	Seal flange		MO15908/XXXX-, Obsolete part
30	837863	1	Gasket		MO15908/XXXX-
31	940100	2	Hexagon screw		MO15908/XXXX-
32	941906	2	Spring washer		MO15908/XXXX-