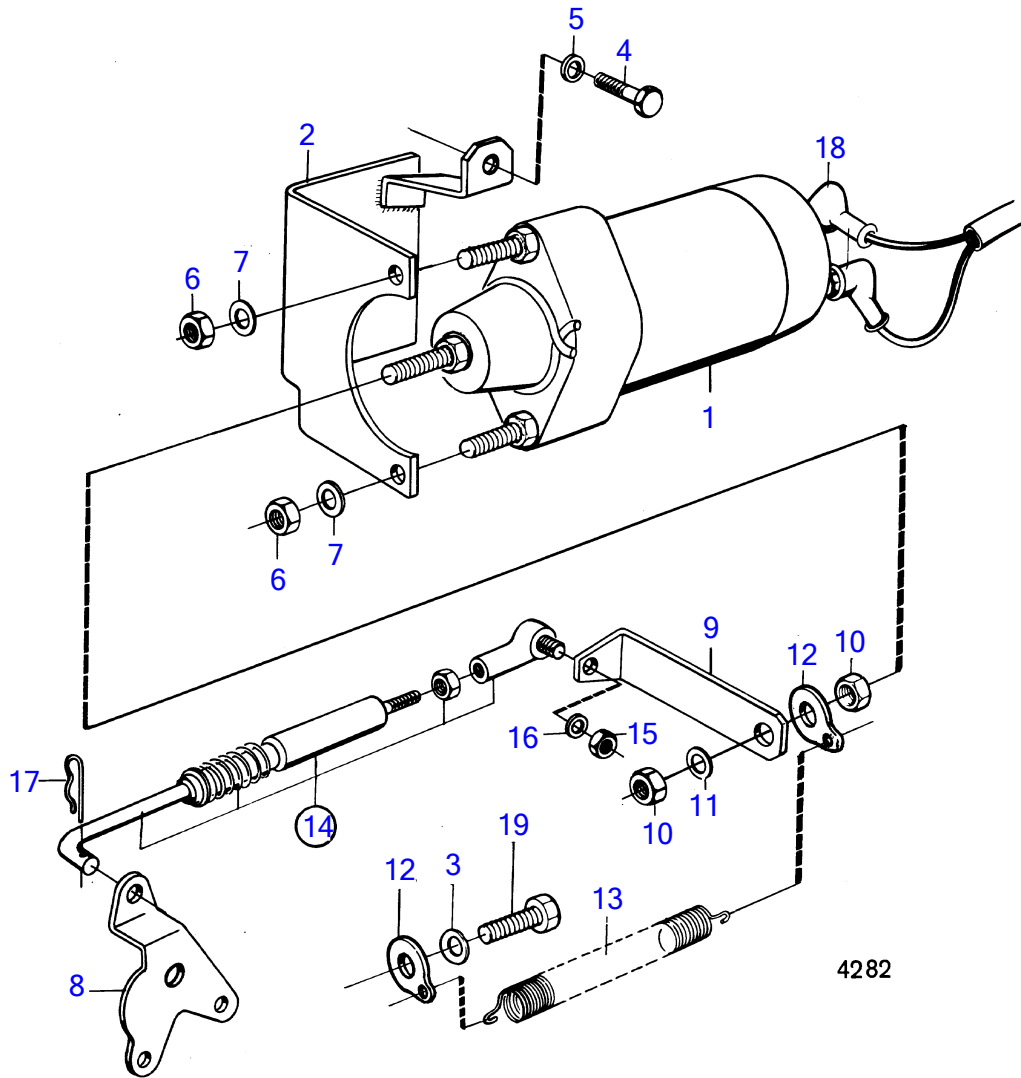


MD120A, TMD120A, TAMD120A



4282

MD120A, TMD120A, TAMD120A

REF	PART NO.	QTY	DESCRIPTION	NOTES
1	842549	1	Stop solenoid	24V
2	(842547)	1	Bracket	Obsolete part
3	941906	1	Spring washer	
4	955534	2	Hexagon screw	
5	942336	2	Spring washer	
6	955826	2	Hexagon nut	
7	941907	2	Spring washer	
8	821134	1	Lever	
9	(842546)	1	Attaching plate	Obsolete part
10	(955856)	2	Nut	Obsolete part
11	941906	1	Spring washer	
12		2		
13	819809	1	Spring	
14	(842541)	1	Link rod	Obsolete part
15	955844	1	Hexagon nut	
16	941905	1	Spring washer	
17	664822	1	Split pin	(678146)
18	76614	2	Rubber collar	
19	955272	1	Hexagon screw	