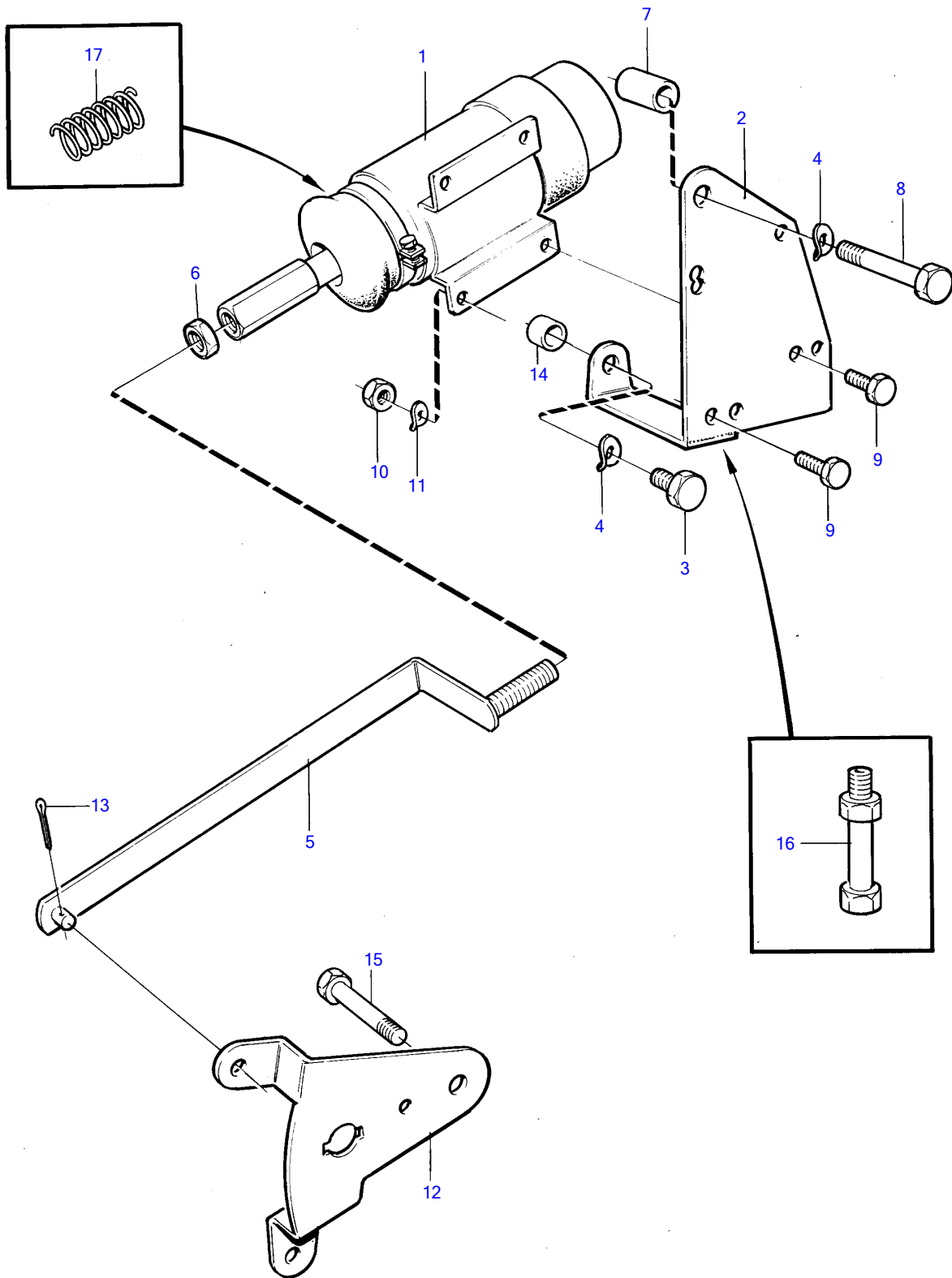


TMD120B



6596

TMD120B

REF	PART NO.	QTY	DESCRIPTION	NOTES
1	881532	1	Magnet	24V
2	822649	1	Bracket	
3	940115	1	Hexagon screw	
4	942336	2	Spring washer	
5	845444	1	Pull rod	
6	955857	1	Hexagon nut	
7	822779	1	Spacer sleeve	
8	955541	1	Hexagon screw	
9	940100	4	Hexagon screw	
10	955825	4	Hexagon nut	
11	941906	4	Spring washer	
12	821134	1	Lever	See group 2C
13	907824	1	Split pin	
14	823575	1	Spacer sleeve	
15	468848	1	Screw	See group 2C
16	881191	1	Grommet	
17	843401	1	Return spring	