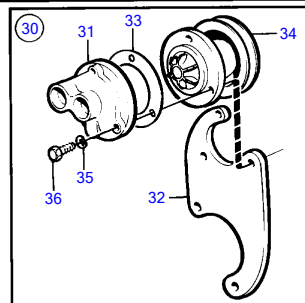
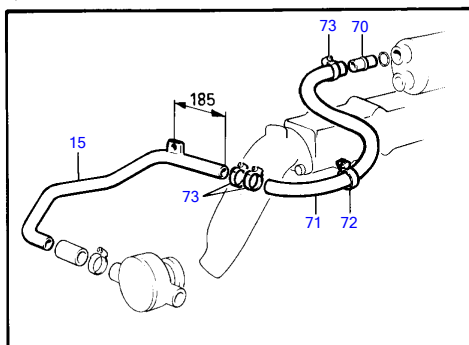
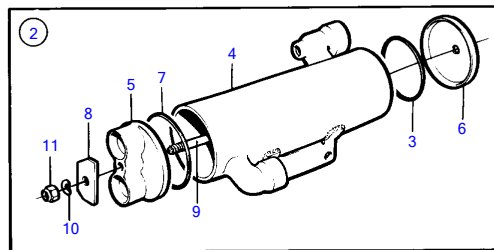
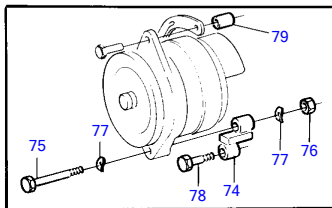
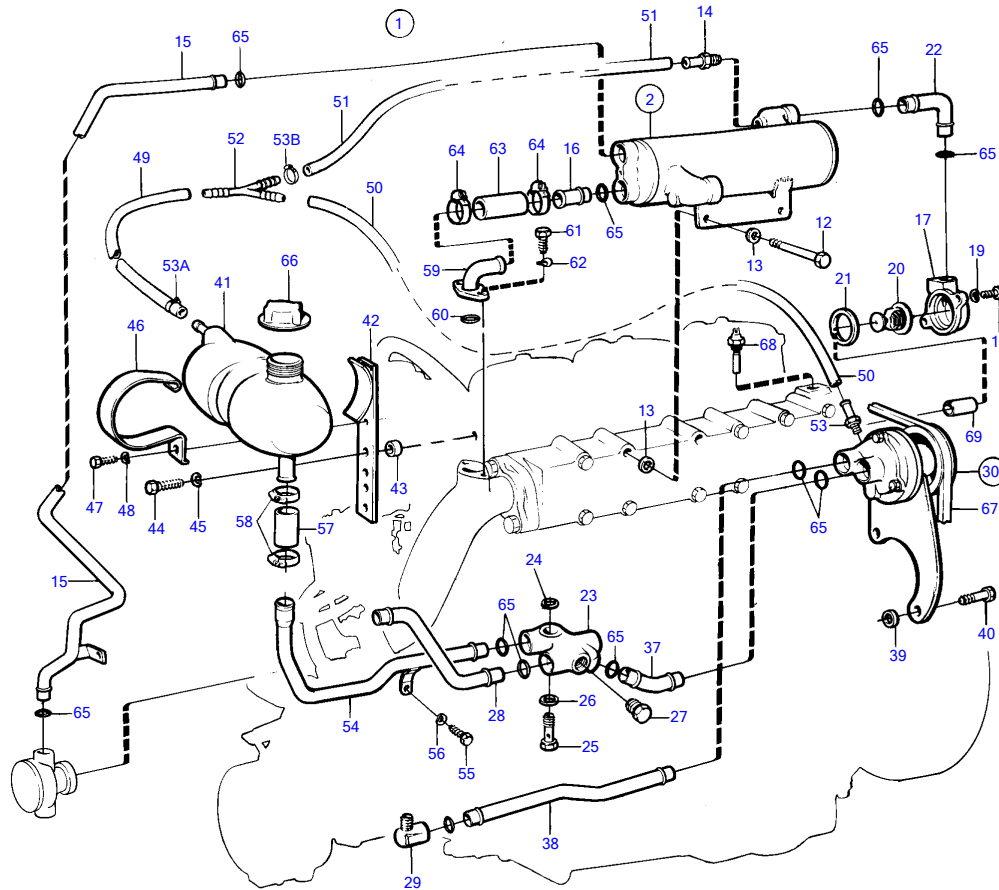


MD17C, MD17D



6685

MD17C, MD17D

REF	PART NO.	QTY	DESCRIPTION	SEE SEC.	NOTES
1	840603	1	Freshwater cool kit		MD17D
2	829911	1	• Heat exchanger		
3	829972	1	• • Gasket		
4		1	• • HOUSING		
5	829987	1	• • End plate		OBSOLETE PART
6	829988	1	• • End plate		
7	829989	1	• • Gasket		
8	829990	1	• • Bracket		OBSOLETE PART
9	829991	1	• • Bar		
10	941906	3	• • Spring washer		
11	963105	3	• • Lock nut		
12	100223	2	• Hexagon screw		
13	960141	4	• Washer		
14	829917	1	• Hose coupling		
15	829941	1	• Coolant pipe		PIPE 829941 MUST BE CUT OFF 185 MM, MO-17972.
16	829901	1	• Connection pipe		
17	829916	1	• Thermostat housing		
18	940132	2	• Hexagon screw		
19	941907	2	• Spring washer		
20	838501	1	• Thermostat		76°C, OBSOLETE PART
21	416033	1	• Sealing ring		
22	829932	1	• Coolant pipe		
23	829906	1	• Coupling piece		
24	829915	1	• Spacer ring		
25	840269	1	• Hollow screw		(180211)
26	957178	1	• Gasket		
27	927963	1	• Plug		
28	829933	1	• Coolant pipe		
29	829920	1	• Insert nipple		
30		1	• CIRCULATION PUMP		
31	829847	1	• • Pump housing		
32	829899	1	• • Bracket		OBSOLETE PART
33	829923	1	• • Gasket		
34	829953	1	• • Circulation pump		
			Bulletin 43-04	43-04-EN	Circulation Pump
35	941906	3	• • Spring washer		
36	955275	3	• • Hexagon screw		
37	829939	1	• Coolant pipe		
38	829940	1	• Coolant pipe		
39	829957	2	• Washer		
40	955345	2	• Hexagon screw		L = 55 MM
41	1276040	1	• Expansion tank		
42	840172	1	• Bracket		
43	829653	2	• Spacer sleeve		
44	940142	2	• Hexagon screw		L = 30 MM
45	941907	2	• Spring washer		
46	840171	1	• Clamp		
47	956092	1	• Cross recessed screw		L = 12 MM
48	941906	1	• Spring washer		
49	942700	X	• Hose		L = 700 MM
50	942700	X	• Hose		L = 295 MM
51	942700	X	• Hose		L = 40 MM
52	840179	1	• Hose coupling		
53	829917	1	• Hose coupling		
53A	945651	1	• Hose clamp		
53B	945650	5	• Hose clamp		
54	829938	1	• Coolant pipe		
55	955294	1	• Hexagon screw		L = 16 MM
56	941907	1	• Spring washer		
57	943369	X	• Rubber hose		L = 95 MM
58	943473	2	• Hose clamp		
59	829928	1	• Hose connection		
60	418445	1	• Sealing ring		

MD17C, MD17D

REF	PART NO.	QTY	DESCRIPTION	SEE SEC.	NOTES
61	955269	2	• Hexagon screw		L = 12 MM
62	941900	2	• O-ring		OBSOLETE PART
63	952969	X	• Hose		L = 190 MM
64	943472	2	• Hose clamp		
65	418411	12	• Sealing ring		
66	844624	1	• Pressure cap		(1542591)
67	958330	1	• V-belt		L = 1500 MM
68	827151	1	• Temperature sensor		
69	807120	1	• Tube		MUST BE PRESSED INTO THE EXHAUST MANIFOLD.
70	829901	1	• Connection pipe		
71	952969	X	• Hose		L = 380 MM
72	947827	1	• Clamp		
73	943472	3	• Hose clamp		
74	840513	1	• Bracket		
75	955329	1	• Hexagon screw		L = 90 MM
76	963107	1	• Lock nut		
77	942336	2	• Spring washer		
78	955321	1	• Hexagon screw		L = 45 MM
79	846425	1	• Spacer sleeve		L = 30 MM