

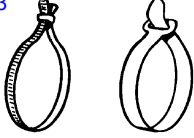


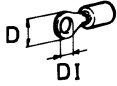
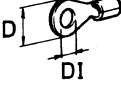
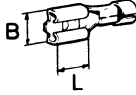
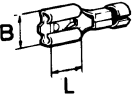
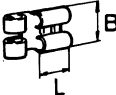
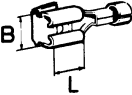
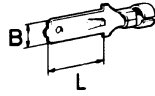
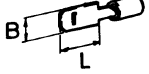

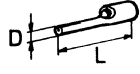
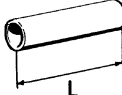
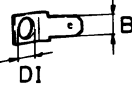



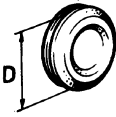



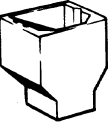
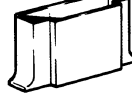
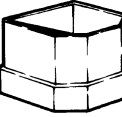




1 	2 	3 	4 
5 	6 	7 	8 
9 	10 	11 	12 
13 	14 	15 	16 
17 	18 	19 	20 
21 	22 	24 	26 
	23 	25 	27 
28 	29 		

4852

REF	PART NO.	QTY	DESCRIPTION	NOTES
1			CABLE	
	954443	X	• Electric cable, 5 SQ MM BLACK	
	954444	X	• Electric cable, 5 SQ MM BROWN	
	954445	X	• Electric cable, 5 SQ MM RED	
	954446	X	• Electric cable, 5 SQ MM YELLOW	OBSOLETE PART
	954447	X	• Electric cable, 5 SQ MM GREEN	OBSOLETE PART
	954448	X	• Electric cable, 5 SQ MM BLUE	OBSOLETE PART
	954449	X	• Electric cable, 5 SQ MM GREY	OBSOLETE PART
	954450	X	• Electric cable, 5 SQ MM IVORY	OBSOLETE PART
	961795	X	• Electric cable, 5 SQ MM IVORY/ BLUE	OBSOLETE PART
	954451	X	• • Electric cable, 5 SQ MM BLACK	
	954452	X	• • Electric cable, 5 SQ MM BROWN	OBSOLETE PART
	954453	X	• • Electric cable, 5 SQ MM RED	OBSOLETE PART
	954455	X	• • Electric cable, 5 SQ MM GREEN	OBSOLETE PART
	954456	X	• • Electric cable, 5 SQ MM BLUE	OBSOLETE PART
	954458	X	• • Electric cable, 5 SQ MM IVORY	OBSOLETE PART
		X	• •	
	954461	X	• • Electric cable	
	954464	X	• • Electric cable	OBSOLETE PART
	954465	X	• • Electric cable	OBSOLETE PART
	954467	X	• • Electric cable	
	954469	X	• • Electric cable	
	954471	X	• • Electric cable	OBSOLETE PART
		X	• •	
		X	• •	
		X	• •	
	954485	X	• • Electric cable	
		X	• •	
	954500	X	• • Electric cable	OBSOLETE PART
	954502	X	• • Electric cable	
2	185501	X	Hose	D = 9 MM, I.D = 8 MM, OBSOLETE PART
	185504	X	Hose	D = 11,5 MM, I.D = 8 MM, OBSOLETE PART
	185506	X	Hose	D = 6 MM, I.D = 5 MM, OBSOLETE PART
	185507	X	Hose	D = 11 MM, I.D = 10 MM, OBSOLETE PART
	185508	X	Hose	D = 16 MM, I.D = 14 MM, OBSOLETE PART
	185509	X	Outer casing	D = 19 MM, I.D = 15 MM, OBSOLETE PART
3	948210	X	Cable tie	(827353) NYLON
	335146	X	Cable tie	AL, OBSOLETE PART
4		X	•	
	942659	X	• Terminal block	
	942660	X	• Terminal block	
	942558	X	• Terminal block	OBSOLETE PART
	942661	X	• Terminal block	OBSOLETE PART
	942662	X	• Terminal block	OBSOLETE PART
5	182010	X	• Coupling piece	MAX 15 SQ MM
	190128	X	• Coupling piece	MAX 15 SQ MM
	190476	X	• Coupling piece	MAX 15 SQ MM
	182008	X	• Coupling piece	MAX 15 SQ MM
	941412	X	• Coupling piece	MAX 20 SQ MM, OBSOLETE PART
6	956924	X	Cable terminal	POUR SECTION CABLE 0,5-1,5 MILLIM% ² TRE-CARR% ¹ E1, I.D = 3,7 MM D = 5,6 MM, OBSOLETE PART
7	881516	X	Cable terminal	POUR SECTION CABLE 0,5-1,5 MILLIM% ² TRE-CARR% ¹ E1, I.D = 3,5 MM D = 5,5 MM
	881492	X	Cable terminal	FOR CABLE AREA 1,5-2,5 SQMM., I.D = 4,3 MM D = 8,7 MM
	881493	X	Cable terminal	FOR CABLE AREA 1,5-2,5 SQMM., I.D = 5,2 MM D = 8,7 MM
	881508	X	Cable terminal	FOR CABLE AREA 1,5-2,5 SQMM., I.D = 6,7 MM D = 11,9 MM
	881494	X	Cable terminal	FOR CABLE AREA 1,5-2,5 SQMM., I.D = 8,3 MM D = 11,9 MM
	881504	X	Cable terminal	FOR CABLE AREA 1,5-2,5 SQMM., I.D = 10,5 MM D = 15,9 MM
	881506	X	Cable terminal	FOR CABLE AREA 3,0-6,0 SQMM., I.D = 4,3 MM D = 9,5 MM
	881495	X	Cable terminal	FOR CABLE AREA 3,0-6,0 SQMM., I.D = 5,2 MM D = 9,5 MM
	881496	X	Cable terminal	FOR CABLE AREA 3,0-6,0 SQMM., I.D = 6,7 MM D = 12,7 MM

REF	PART NO.	QTY	DESCRIPTION	NOTES
	881497	X	Cable terminal	FOR CABLE AREA 3,0-6,0 SQMM., I.D = 8,3 MM D = 12,7 MM
	881498	X	Cable terminal	FOR CABLE AREA 3,0-6,0 SQMM., I.D = 10,5 MM D = 15,4 MM
	881500	X	Cable terminal	FOR CABLE AREA 10,5-16,0 SQMM., I.D = 5,2 MM D = 15,9 MM
	881501	X	Cable terminal	FOR CABLE AREA 10,5-16,0 SQMM., I.D = 6,7 MM D = 15,9 MM
	881502	X	Cable terminal	FOR CABLE AREA 10,5-16,0 SQMM., I.D = 8,3 MM D = 15,9 MM
	940337	X	Cable terminal, TERMINAL	FOR CABLE AREA 10,5-16,0 SQMM., (881507) I.D = 10,5 MM D = 15,9 MM
	949591	X	Cable terminal	FOR CABLE AREA 6,5-10,5 SQMM., I.D = 4,3 MM D = 8 MM, OBSOLETE PART
8	881483	X	Cable terminal	FOR CABLE AREA 1,5-2,5 SQMM., L = 7,7 MM B = 7,6 MM
	881484	X	Cable terminal	FOR CABLE AREA 3,0-6,0 SQMM., L = 7,7 MM B = 7,6 MM
9	881485	X	Cable terminal	FOR CABLE AREA 1,5-2,5 SQMM., L = 7,7 MM B = 7,6 MM
	881486	X	Cable terminal	FOR CABLE AREA 3,0-6,0 SQMM., L = 7,7 MM B = 7,6 MM
		X		FOR CABLE AREA 0,75-2,0 SQMM., L = 7,7 MM B = 7,6 MM
10		X		POUR SECTION CABLE 0,5-1,5 MILLIM% ϵ 2TRE-CARR% ϵ 1, L = 6,2 MM B = 5,6 MM
11	881491	X	Cable terminal	FOR CABLE AREA 1,5-2,5 SQMM., L = 7,7 MM B = 7,6 MM
12	881487	X	Cable terminal	FOR CABLE AREA 1,5-2,5 SQMM., L = 15,7 MM B = 6,3 MM
	881488	X	Cable terminal	FOR CABLE AREA 3,0-6,0 SQMM., L = 15,7 MM B = 6,3 MM
13	881518	X	Cable terminal	FOR CABLE AREA 1,5-2,5 SQMM., L = 10 MM B = 6,3 MM
14	881509	X	Cable terminal	FOR CABLE AREA 1,5-2,5 SQMM., I.D = 4,4 MM D = 9,8 MM, OBSOLETE PART
	881505	X	Cable terminal	FOR CABLE AREA 1,5-2,5 SQMM., I.D = 5,2 MM D = 8,7 MM, OBSOLETE PART
	881511	X	Cable terminal	FOR CABLE AREA 3,0-6,0 SQMM., I.D = 4,4 MM D = 8 MM, OBSOLETE PART
15	942429	X	Cable terminal	FOR CABLE AREA 1,5-2,5 SQMM., I.D = 1,8 MM L = 14,4 MM
		X		FOR CABLE AREA 3,0-6,0 SQMM., D = 2,6 MM L = 20,6 MM
16	956956	X	Splice	POUR SECTION CABLE 0,5-1,5 MILLIM% ϵ 2TRE-CARR% ϵ 1, L = 26 MM
	956958	X	Splice	FOR CABLE AREA 1,5-2,5 SQMM., L = 26 MM
	956960	X	Splice	FOR CABLE AREA 3,0-6,0 SQMM., L = 28 MM
17	829311	X	Tab	I.D = 5,2 MM B = 6,35 MM
18	959046	X	Housing	I.D = 9 MM
19	76614	X	Rubber collar	
	841234	X	Rubber collar	OBSOLETE PART
20	673580	X	Adapter	
21	941269	X	Plug	D = 25 MM
22	958213	X	Housing	
23	958212	X	Housing	
24	941104	X	Housing	OBSOLETE PART
25	941105	X	Housing	OBSOLETE PART
26	945830	X	Housing	
27	945831	X	Tab housing	
28	1214948	X	Housing	
29	949181	X	Receptacle housing	OBSOLETE PART