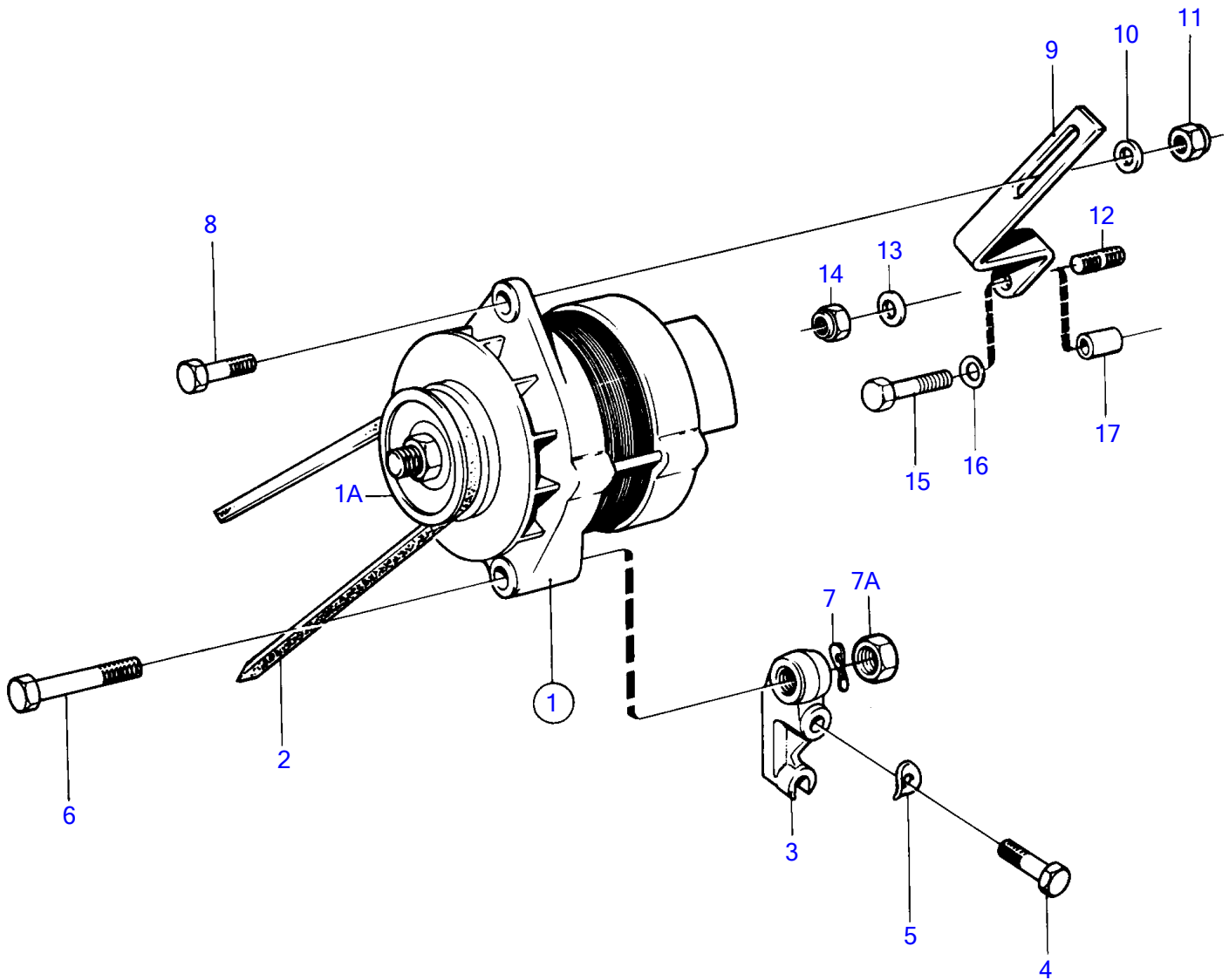


MD17C



MD17C

REF	PART NO.	QTY	DESCRIPTION	SEE SEC.	NOTES
1	834610	1	Alternator		REPLACED BY 834965., MO-13324, 13251-13399.
			•	15134	
		1			REPLACED BY 831380., MO-13325-13250, 13400-16047.
			•	15134	
	841380	1	Alternator		REPLACED BY 841770., MO 16048-
			•	15134	
	841770	1	Alternator		
			Bulletin 49-04	49-04-EN	Alternators
1			•	15134	
			•	15135	
2	958317	1	V-belt		L = 1175 MM
3	833480	1	Bracket		OBSOLETE PART, 833480+955554+941909 ARE USED FOR MD17, ONLY WHEN RIGID ENGINE MOUNTS IS INSTALLED.
4	955322	1	Hexagon screw		L = 50 MM, MO 634-
	955319	1	Hexagon screw		L = 35 MM, MO 634-
5	941908	2	Spring washer		MO 634-
6	955554	1	Hexagon screw		833480+955554+941909 ARE USED FOR MD17, ONLY WHEN RIGID ENGINE MOUNTS IS INSTALLED.
	955327	1	Hexagon screw		MO-18779, L = 75 MM
7	941909	1	Spring washer		833480+955554+941909 ARE USED FOR MD17, ONLY WHEN RIGID ENGINE MOUNTS IS INSTALLED.
	941908	1	Spring washer		
8	955298	1	Hexagon screw		MO-18779, L = 40 MM
9	833289	1	Tensioner		OBSOLETE PART
	833289	1	Tensioner		OBSOLETE PART, SPEC 867423, -426, -500., MO-17260
	829948	1	Tensioner		OBSOLETE PART, SPEC 867423, -426, -500., MO 17261-
10	191172	1	Washer		MO-18779
11	955782	1	Hexagon nut		
12	953042	1	Stud		
13	955894	1	Washer		
14	955782	1	Hexagon nut		(946036)
15	955296	1	Hexagon screw		L = 22 MM
	955296	1	Hexagon screw		SPEC 867423, -426, -500., MO-17260
	940132	1	Hexagon screw		SPEC 867423, -426, -500., MO 17261-
16	941907	1	Spring washer		
	941907	1	Spring washer		SPEC 867423, -426, -500., MO-17260
	941907	2	Spring washer		SPEC 867423, -426, -500., MO 17261-
17	829601	1	Spacer sleeve		L= 7 mm
	829601	1	Spacer sleeve		SPEC 867423, -426, -500., MO-17260
	807250	1	Spacer sleeve		SPEC 867423, -426, -500., MO 17261-