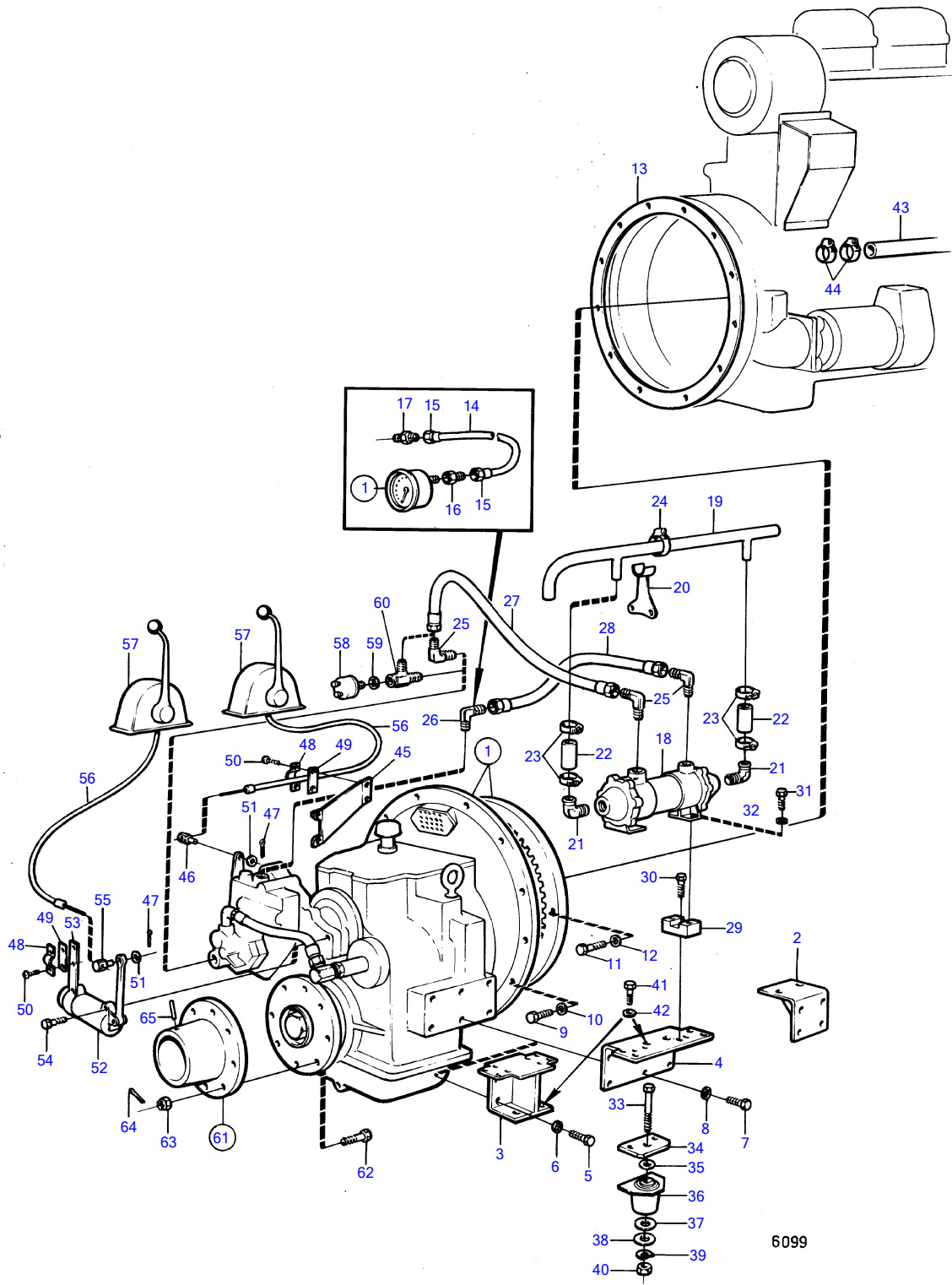


TMD100A, MD100B



TMD100A, MD100B

| REF | PART NO. | QTY | DESCRIPTION | SEE SEC. | NOTES |
|-----|----------|-----|-------------------------|----------|--|
| 1 | | 1 | rev. gear, ratio 1,45:1 | | |
| | | 1 | rev. gear, ratio 1,93:1 | | MG509 |
| | | 1 | rev. gear, ratio 2:1 | | MG509 |
| | | 1 | rev. gear, ratio 2:91:1 | | MG509 |
| | | 1 | rev. gear, ratio 3:1 | | MG509 |
| | | 1 | rev. gear, ratio 2,95:1 | | MG509 class DNV |
| | | 1 | rev. gear, ratio 3,39:1 | | MG509 |
| | | 1 | rev. gear, ratio 4,5:1 | | MG509 |
| | | 1 | rev. gear, ratio 3,83:1 | | MG509 |
| | | | • components | | |
| 2 | (837060) | 1 | Bracket | | Spec 867091, 867142., Obsolete part |
| 3 | (837062) | 1 | Bracket | | Spec 867091, 867142., Obsolete part |
| 4 | (837098) | 2 | Bracket | | Replaced by 833860., Obsolete part |
| 5 | 955561 | 8 | Hexagon screw | | |
| 6 | 940280 | 8 | Spring washer | | |
| 7 | 955589 | 12 | Hexagon screw | | |
| 8 | 941912 | 12 | Spring washer | | |
| 9 | 940134 | 12 | Hexagon screw | | |
| 10 | 941909 | 12 | Spring washer | | |
| 11 | 955561 | 8 | Hexagon screw | | |
| 12 | 940280 | 8 | Spring washer | | |
| 13 | 800314 | 1 | Gasket | | |
| 14 | (954303) | X | Tube | | L=5000mm, Obsolete part |
| 15 | 954320 | 2 | Fitting nut | | |
| 16 | (836064) | 1 | Nipple | | Obsolete part |
| 17 | (954334) | 1 | Nipple | | Obsolete part |
| 18 | 837083 | 1 | Oil cooler | | |
| | | | • | 14059 | |
| 19 | (837084) | 1 | Coolant pipe | | Spec 867091, 867142., Obsolete part |
| | (837110) | 1 | Coolant pipe | | Replaced by 833860., Obsolete part |
| 20 | (837075) | 2 | Bracket | | Obsolete part |
| 21 | (898683) | 2 | Hose attachment | | Obsolete part |
| 22 | 943370 | X | Rubber hose | | L=70mm |
| 23 | 943478 | 4 | Hose clamp | | |
| 24 | 943476 | 2 | Hose clamp | | |
| 25 | 837063 | 3 | Elbow union | | |
| 26 | (837064) | 1 | Elbow union | | Obsolete part |
| 27 | (837096) | 1 | Lube oil hose | | L=680mm, Obsolete part |
| 28 | (837120) | 1 | Lube oil hose | | Spec 867091, 867142., L=575mm, Obsolete part |
| | (837121) | 1 | Hose | | Replaced by 833860., L=520mm, Obsolete part |
| 29 | (837091) | 2 | Intermediate section | | Replaced by 833860., Obsolete part |
| 30 | 955524 | 4 | Hexagon screw | | Replaced by 833860. |
| 31 | 940135 | 4 | Hexagon screw | | Replaced by 833860. |
| | 940113 | 4 | Hexagon screw | | Spec 867091, 867142. |
| 32 | 941907 | 4 | Spring washer | | |
| 33 | 959827 | 2 | Hexagon screw | | |
| 34 | (824374) | 2 | Intermediate plate | | Obsolete part |
| 35 | 836325 | 2 | Washer | | |
| 36 | 836961 | 2 | Rubber cushion | | |
| 37 | 836963 | 2 | Rubber washer | | |
| 38 | 836962 | 2 | Stop washer | | |
| 39 | 941912 | 2 | Spring washer | | |
| 40 | 955829 | 2 | Hexagon nut | | |
| 41 | 955589 | 4 | Hexagon screw | | |
| 42 | 941912 | 4 | Spring washer | | |
| 43 | 952977 | X | Radiator hose | | L=140mm |
| 44 | 943478 | 8 | Hose clamp | | |
| 45 | (836117) | 1 | Bracket | | Obsolete part |
| 46 | (813674) | 1 | Cube | | Obsolete part |
| 47 | 907824 | 2 | Split pin | | |
| 48 | 21471054 | 2 | Bracket | | |
| 49 | 819068 | 2 | Washer | | |
| 50 | 950021 | 4 | Cross recessed screw | | |

7742120-44-14054

6099

Upd:2011-03-01

MD100A, TMD100A, TMD100AK, TMD100A-CC, MD100B, MD100BK, MD100B-CC

VOLVO
PENTA

TMD100A, MD100B

| REF | PART NO. | QTY | DESCRIPTION | SEE SEC. | NOTES |
|-----|----------|-----|---------------------|----------|---|
| 51 | 940191 | 2 | Washer | | |
| 52 | (836141) | 1 | Valve | | Twin Disc XA 6575 B, Obsolete part |
| | | | • components | | |
| 53 | (836139) | 1 | Bracket | | Obsolete part |
| 54 | 955538 | 2 | Hexagon screw | | |
| 55 | 814082 | 1 | Cube | | |
| 56 | | X | control cable | | See group 9 |
| 57 | | X | control | | See group 9 |
| 58 | 837781 | 1 | Oil pressure sensor | | See group 3 |
| 59 | 957181 | 1 | Gasket | | See group 3 |
| 60 | 842717 | 1 | Elbow union | | See group 3 |
| 61 | (837055) | 1 | Clutch flange | | For transport., Spec 867091, 867142., I.d=30mm, Obsolete part |
| | 837093 | 1 | Clutch flange | | For transport., Replaced by 833860., 1" hole for propeller shaft., I.d=60mm |
| 62 | (955750) | 6 | Hexagon screw | | For 837054, Obsolete part |
| | (955772) | 8 | Screw | | For 837092, Obsolete part |
| 63 | 955887 | 6 | Castle nut | | For 837054 |
| | (955889) | 8 | Castle nut | | For 837092, Obsolete part |
| 64 | 907861 | 6 | Split pin | | For 837054 |
| | 907881 | 8 | Split pin | | (907877) |
| | | | | | For 837092 |
| 65 | 17178 | 2 | Taper pin | | For 837054 |
| | (907661) | 2 | Taper pin | | For 837092, Obsolete part |