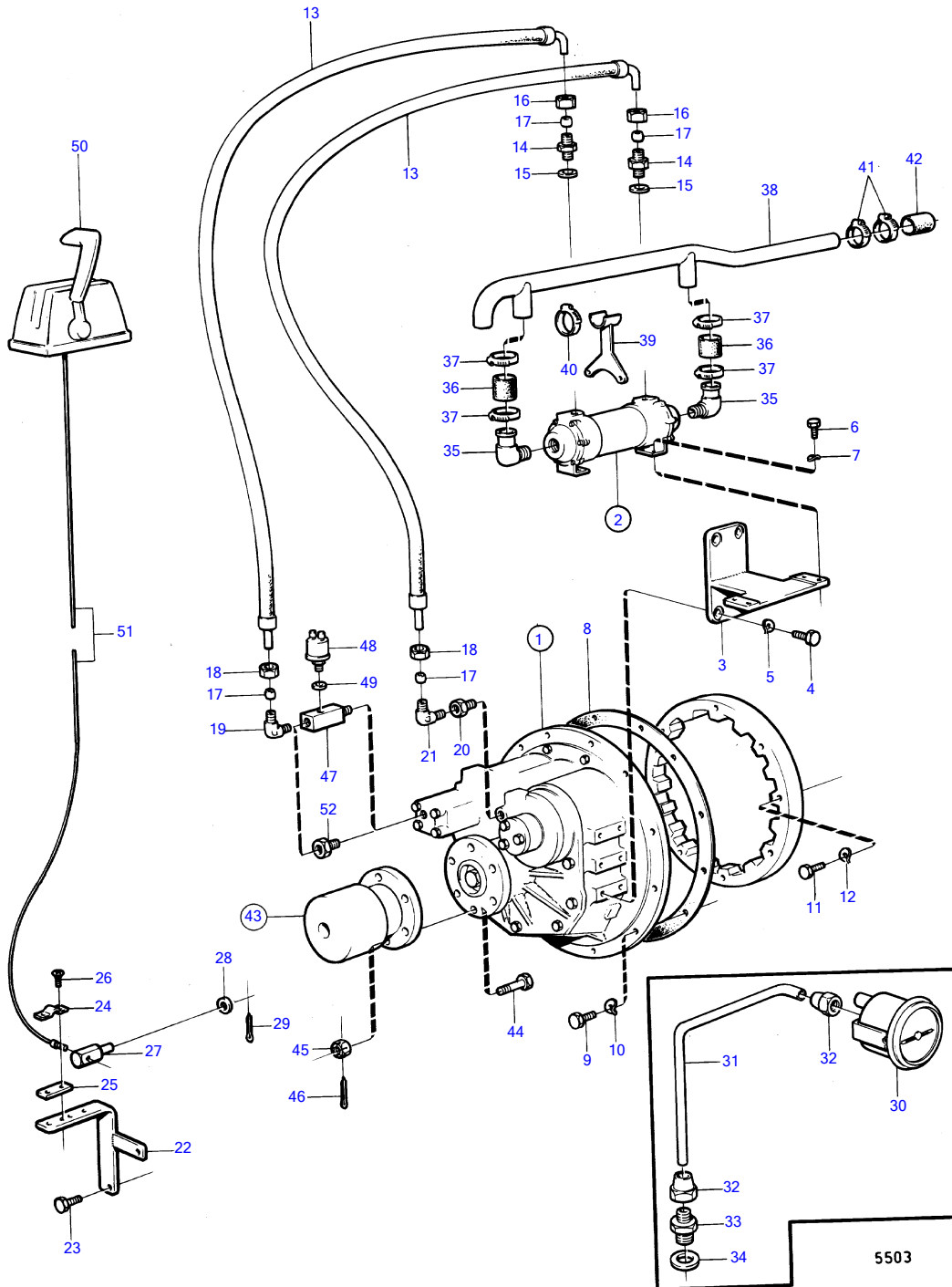


MD100B



## MD100B

REF	PART NO.	QTY	DESCRIPTION	SEE SEC.	NOTES
1		1	reverse gear, ratio 2:1		
		1	reverse gear, ratio 3:1		
			• components		
2	(842099)	1	Oil cooler		Obsolete part
			•	14059	
3	(842098)	1	Bracket		Obsolete part
4	955560	4	Hexagon screw		
5	940280	4	Spring washer		
6	940113	4	Hexagon screw		
7	941907	4	Spring washer		
8	800751	1	Gasket		
9	940134	12	Hexagon screw		
10	941909	12	Spring washer		
11	940162	8	Hexagon screw		
12	942336	8	Spring washer		
13	837355	1	Hose assembly		L=420mm repl by 837935
	837935	1	Hose		L=460mm
14	943755	2	Fitting		
15	(907135)	2	Gasket		(18820), Obsolete part
16	941331	2	Fitting nut		
17	956970	4	Ferrule		
18	956984	2	Fitting nut		
19	941757	1	Elbow nipple		
20	(954334)	1	Nipple		Repl by 941757, Obsolete part
21		1			Repl by 941757
22	(842104)	1	Bracket		Obsolete part
23	955535	2	Hexagon screw		
24	21471054	1	Bracket		
25	819068	1	Washer		
26	950021	2	Cross recessed screw		
27	(813674)	1	Cube		Obsolete part
28	940191	1	Washer		
29	17276	1	Split pin		
30	(837436)	1	Manometer		Obsolete part
31	944069	X	Copper tube		L=5000mm
32	954320	2	Fitting nut		
33	(190279)	1	Nipple		Obsolete part
34	957172	1	Gasket		
35	(898683)	2	Hose attachment		Obsolete part
36	952977	X	Radiator hose		L=70mm
37	943478	4	Hose clamp		
38	(837084)	1	Coolant pipe		Obsolete part
39	(837075)	2	Bracket		Obsolete part
40	943476	2	Hose clamp		
41	943478	4	Hose clamp		(951794)
42	943370	X	Rubber hose		L=140mm (952977)
43	842106	1	Companion flange		
44	955738	6	Hexagon screw		
45	955886	6	Castle nut		
46	907861	6	Split pin		(907859)
47	842425	1	Nipple		
48	837781	1	Oil pressure sensor		See group 3
49	957181	1	Gasket		See group 3
50			control		See group 9
51			control cable		See group 9
52	804533	1	Nipple		