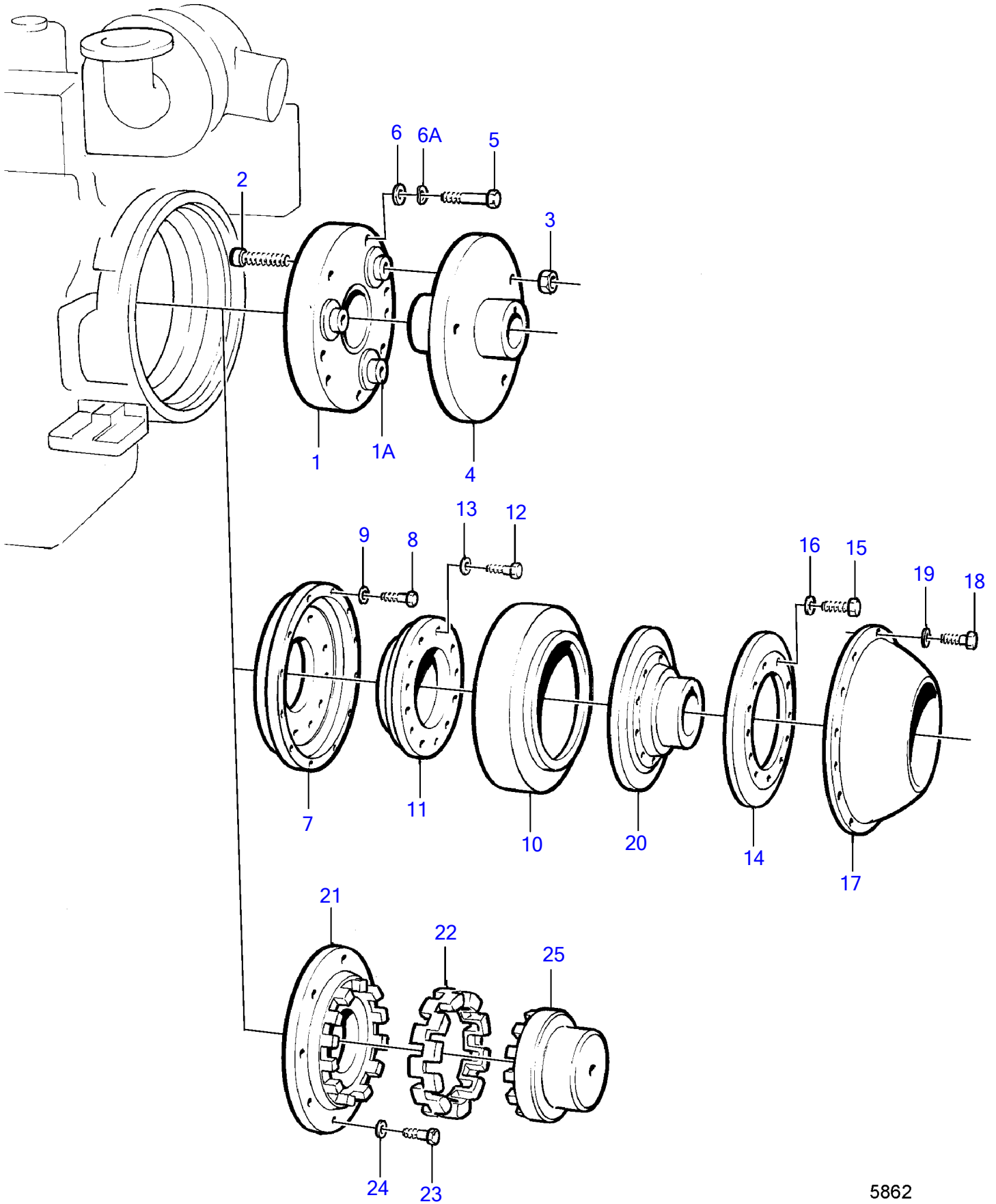


TMD100A



5862

## TMD100A

REF	PART NO.	QTY	DESCRIPTION	NOTES
1	823358	1	Clutch	For bearing pin with 2 bolts., Early type, Obsolete part
1A	845913	3	Rubber element	For bearing pin with 2 bolts., Early type
2	824471	3	Screw	For bearing pin with 2 bolts., Early type, Obsolete part
3	824472	3	Lock nut	For bearing pin with 2 bolts., Early type, Obsolete part
4	823382	1	Clutch half	For transport., For bearing pin with 2 bolts., l.d=38mm, Obsolete part
5	955541	6	Hexagon screw	For bearing pin with 2 bolts., Early type
6	942336	6	Spring washer	For bearing pin with 2 bolts., Early type
6A	940097	6	Washer	For bearing pin with 2 bolts.
7	896751	1	Companion flange	For M18 bolts., Obsolete part
8	955562	8	Hexagon screw	For M18 bolts.
9	940280	8	Spring washer	For M18 bolts.
10	807666	1	Rubber element	For M18 bolts., Obsolete part
11	801663	1	Tensioning ring	For M18 bolts., Obsolete part
12	190522	12	Screw	For M18 bolts., Obsolete part
13	940143	12	Toothed washer	For M18 bolts.
14	807674	1	Thrust ring	For M18 bolts., Obsolete part
15	955366	12	Hexagon screw	For M18 bolts.
16	941912	12	Spring washer	For M18 bolts.
17	898425	2	Protecting casing	For M18 bolts., Obsolete part
18	940134	12	Hexagon screw	For M18 bolts.
19	941909	12	Spring washer	For M18 bolts.
20	899953	1	Clutch half	For M18 bolts., Obsolete part
21		1	coupling flange	Late type
	845618	1	• Clutch flange	Late type
22	845617	1	• Rubber element	Late type
23	960691	8	Hexagon screw	Late type
24	840210	8	Washer	Late type
25	845616	1	Clutch half	For transport., l.d=39mm