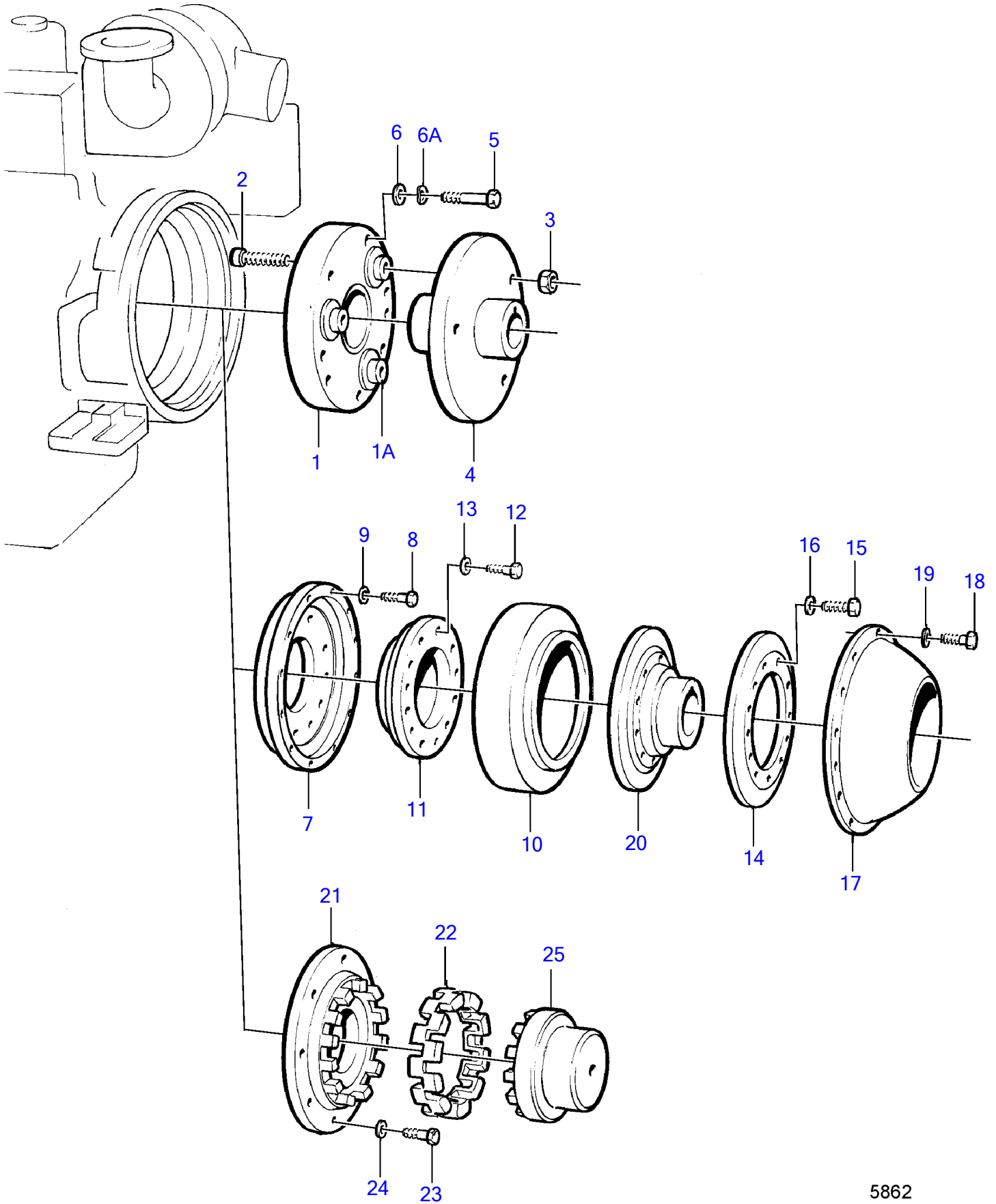


MD100A



5862

MD100A

REF	PART NO.	QTY	DESCRIPTION	NOTES
7	(896751)	1	Companion flange	For M18 bolts., Obsolete part
8	955562	8	Hexagon screw	For M18 bolts.
9	940280	8	Spring washer	For M18 bolts.
10	(807666)	1	Rubber element	For M18 bolts., Obsolete part
11	(801663)	1	Tensioning ring	For M18 bolts., Obsolete part
12	(190522)	12	Screw	For M18 bolts., Obsolete part
13	940143	12	Toothed washer	For M18 bolts.
14	(807674)	1	Thrust ring	For M18 bolts., Obsolete part
15	955366	12	Hexagon screw	For M18 bolts.
16	941912	12	Spring washer	For M18 bolts.
17	(898425)	2	Protecting casing	For M18 bolts., Obsolete part
18	940134	12	Hexagon screw	For M18 bolts.
19	941909	12	Spring washer	For M18 bolts.
20	(899953)	1	Clutch half	For M18 bolts., Obsolete part