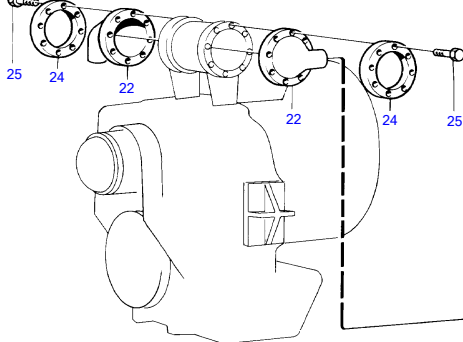
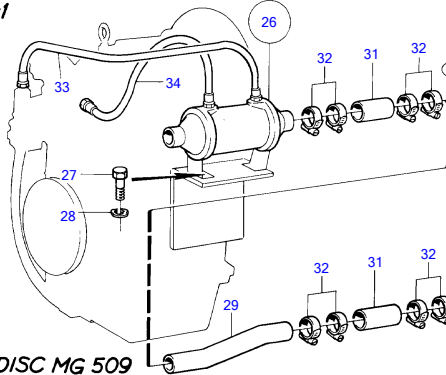


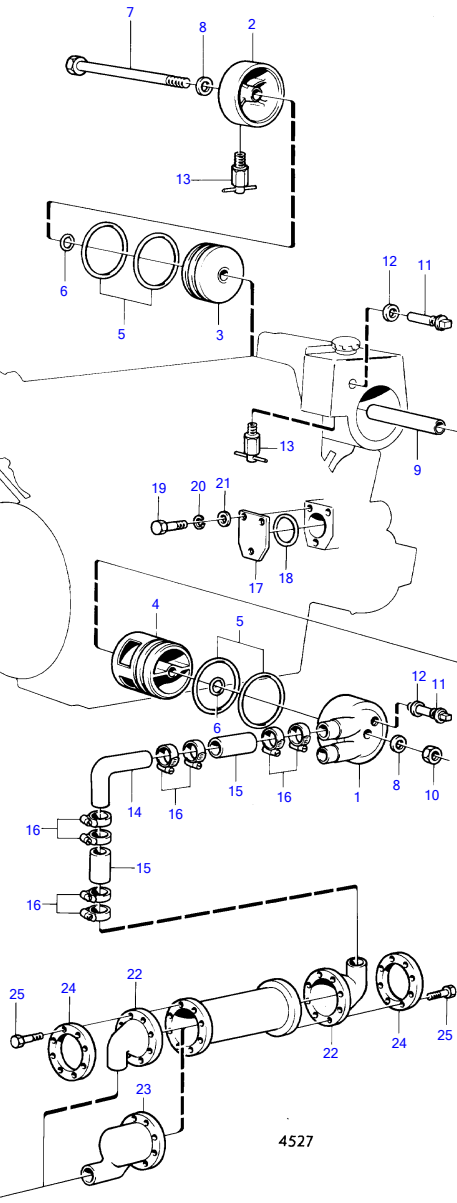
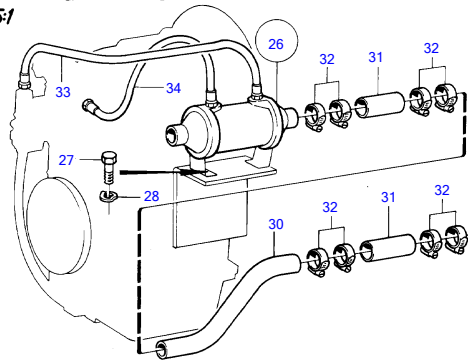
SCG MRF 350
SCG MRF 700
SCG MRF 700 LR MK III



TWIN DISC MG 509
UTV 3:1



TWIN DISC MG 509
UTV 4.5:1



MD100B

REF	PART NO.	QTY	DESCRIPTION	NOTES
1	820736	1	End cover	Obsolete part
2	820715	1	End cover	
3	820734	1	End plate	Obsolete part
4	820733	1	End plate	Obsolete part
5	400797	4	O-ring	
6	925057	2	O-ring	
7	820719	1	Screw	
8	11996	2	Gasket	
9	820735	1	Spacer tube	
10	942297	1	Hexagon nut	Obsolete part
11	823661	4	Zinc anode	(823660)
12	836169	4	Gasket	
13	82744	2	Shut-off cock	
14	820844	1	Tube	Obsolete part
15	943372	X	Rubber hose	L=110mm
16	943479	8	Hose clamp	(951795)
17	420178	1	Cover	
18	413619	1	Gasket	
19	955576	3	Hexagon screw	
20	941911	3	Spring washer	
21	955899	3	Washer	
22	820631	2	End cover	For reverse gear Volvo Penta., Obsolete part
	823803	2	End cover	BB115B, BB115C, MB20B, MB20C, MD21A, MD21B., Obsolete part
	823803	1	End cover	BB115B, BB115C, MB20B, MB20C, MD21A, MD21B., Late type, Obsolete part
23	824454	1	End cover	BB115B, BB115C, MB20B, MB20C, MD21A, MD21B., Late type, Obsolete part
24	821074	2	Tensioning ring	For reverse gear Volvo Penta., Obsolete part
	823802	2	Tensioning ring	BB115B, BB115C, MB20B, MB20C, MD21A, MD21B.
	823802	1	Tensioning ring	BB115B, BB115C, MB20B, MB20C, MD21A, MD21B., Late type
25	955514	16	Hexagon screw	
26	837099	1	Oil cooler	
27	940098	4	Hexagon screw	
28	942336	4	Spring washer	
29	837109	1	Coolant pipe	Obsolete part
30	837117	1	Coolant pipe	Obsolete part
31	943372	X	Rubber hose	L=150mm (952980)
32	943479	8	Hose clamp	(951795)
33	837095	1	Oil hose	L=695mm
34	837119	1	Hose	Obsolete part, L=600mm