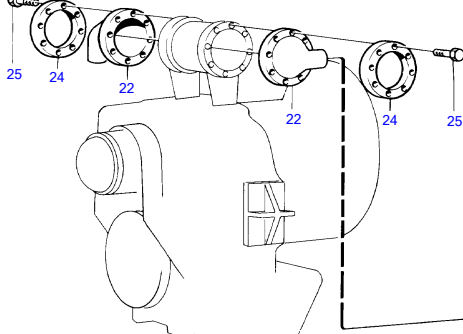
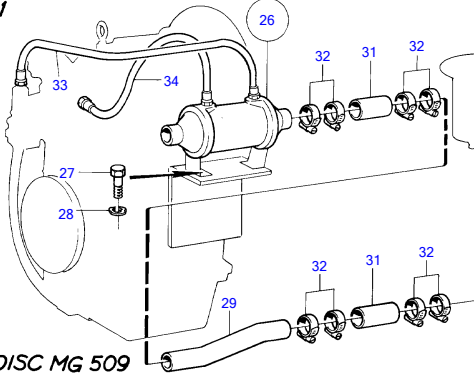


MD100A

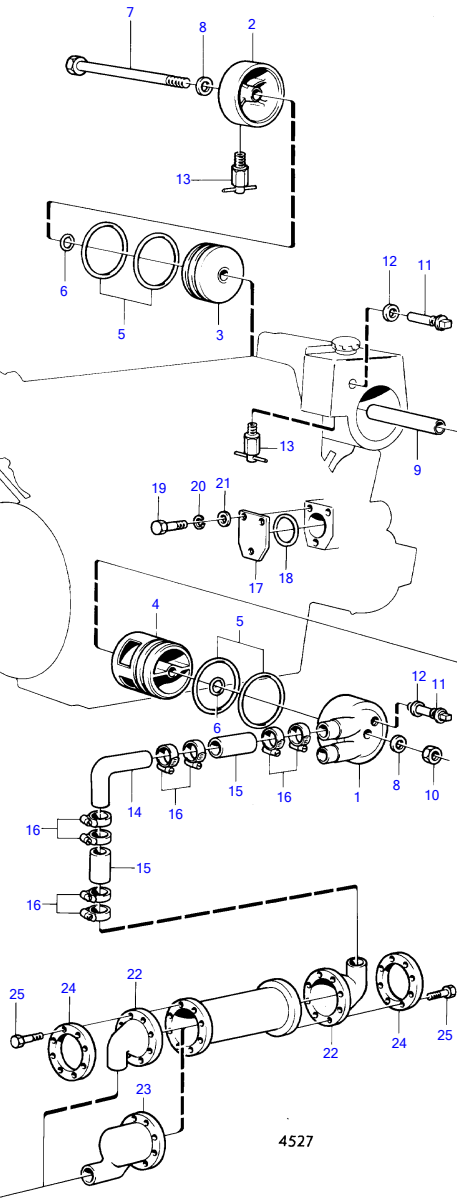
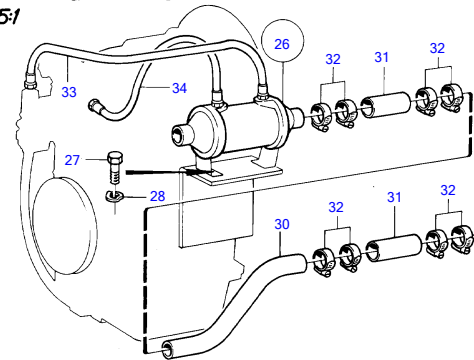
SCG MRF 350
SCG MRF 700
SCG MRF 700 LR MK III



TWIN DISC MG 509
UTV 3:1



TWIN DISC MG 509
UTV 4.5:1



4527

MD100A

REF	PART NO.	QTY	DESCRIPTION	NOTES
1	(820736)	1	End cover	Obsolete part
2	820715	1	End cover	
3	(820734)	1	End plate	Obsolete part
4	(820733)	1	End plate	Obsolete part
5	400797	4	O-ring	
6	925057	2	O-ring	
7	820719	1	Screw	
8	11996	2	Gasket	
9	820735	1	Spacer tube	
10	(942297)	1	Hexagon nut	Obsolete part
11	823661	4	Zinc anode	(823660)
12	836169	4	Gasket	
13	82744	2	Shut-off cock	
14	(820844)	1	Tube	Obsolete part
15	943372	X	Rubber hose	L=110mm
16	943479	8	Hose clamp	(951795)
17	420178	1	Cover	
18	413619	1	Gasket	
19	955576	3	Hexagon screw	
20	941911	3	Spring washer	
21	955899	3	Washer	
22	(820631)	2	End cover	For reverse gear Volvo Penta., Obsolete part
	(823803)	2	End cover	BB115B, BB115C, MB20B, MB20C, MD21A, MD21B., Obsolete part
24	(821074)	2	Tensioning ring	For reverse gear Volvo Penta., Obsolete part
	823802	2	Tensioning ring	BB115B, BB115C, MB20B, MB20C, MD21A, MD21B.
25	955514	16	Hexagon screw	
26	837099	1	Oil cooler	
			• components	See group 4A
27	940098	4	Hexagon screw	
28	942336	4	Spring washer	
29	(837109)	1	Coolant pipe	Obsolete part
30	(837117)	1	Coolant pipe	Obsolete part
31	943372	X	Rubber hose	L=150mm (952980)
32	943479	8	Hose clamp	(951795)
33	837095	1	Oil hose	L=695mm
34	(837119)	1	Hose	Obsolete part, L=600mm