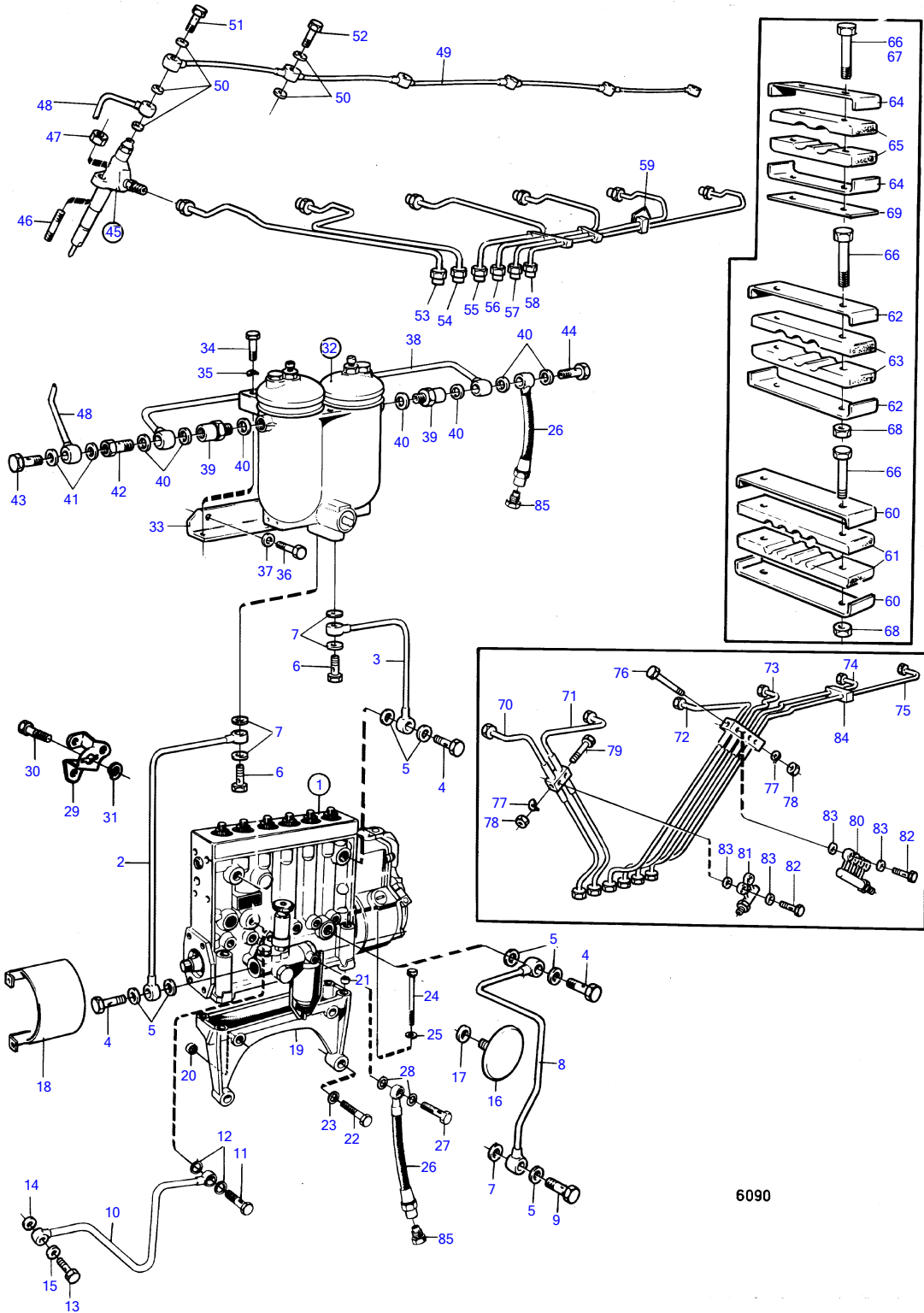


MD100B



MD100B

REF	PART NO.	QTY	DESCRIPTION	SEE SEC.	NOTES
1	836908	1	Injection pump		Obsolete part
2	837106	1	Fuel pipe		Obsolete part
3	837107	1	Fuel pipe		Obsolete part
4	25167	3	Hollow screw		
5	957178	7	Gasket		
6	26013	2	Hollow screw		
7	957181	5	Gasket		
8	422246	1	Return pipe		
9	954394	1	Hollow screw		
10	422245	1	Oil feed pipe		
11	48634	1	Hollow screw		
12	957173	2	Gasket		
13	837709	1	Hollow screw		
14	18666	1	Gasket		
15	11994	1	Gasket		
16	466398	1	Pressure equalizer		
17	957178	1	Gasket		
18		1	fuel injection pump	13995	
19	468558	1	Bracket		
20	423161	2	Guide sleeve		Obsolete part
21	417588	1	Guide sleeve		
22	955566	4	Hexagon screw		
23	940280	4	Spring washer		
24	940156	4	Hexagon screw		
25	190509	4	Washer		
26	845372	2	Fuel hose		
27	25167	1	Hollow screw		
28	957178	2	Gasket		
29	821134	1	Lever		See group 2D
30	955270	1	Hexagon screw		See group 2D
31	941906	1	Spring washer		See group 2D
32	243405	1	Fuel filter kit		
33	845319	1	Bracket		(836365)
34	940134	2	Hexagon screw		
35	941909	2	Spring washer		
36	940115	2	Hexagon screw		
37	942336	2	Spring washer		
38	836748	1	Pipe		
39	35096	2	Overflow valve		
40	957178	7	Gasket		
41	957171	2	Gasket		
42	16496	1	Hollow screw		
43	74033	1	Hollow screw		
44	180211	1	Hollow screw		
45	870989	6	Injector		
46	941928	12	Stud		
47	417110	12	Nut		
48	844720	1	Pipe		Obsolete part
49	424202	1	Leak-off pipe		
50	957171	13	Gasket		
51	74034	1	Hollow screw		
52	74033	5	Hollow screw		
53	896730	1	Delivery pipe		Cyl. no. 1, Obsolete part
54	896731	1	Delivery pipe		Cyl. no. 2, Obsolete part
55	896732	1	Delivery pipe		Cyl. no. 3, Obsolete part
56	896733	1	Delivery pipe		Cyl. no. 4, Obsolete part
57	896734	1	Delivery pipe		Cyl. no. 5, Obsolete part
58	896735	1	Delivery pipe		Cyl. no. 6, Obsolete part
59	820756	1	Attaching plate		See group 2B, Obsolete part
60	414348	2	Attaching clamp		Obsolete part
61	414349	2	Attaching clamp		Obsolete part
62	414346	2	Attaching clamp		

7742120-23-13994B

6090

Upd:2011-03-01

MD100B

REF	PART NO.	QTY	DESCRIPTION	SEE SEC.	NOTES
63	414347	2	Attaching clamp		
64	414344	4	Attaching clamp		
65	414345	4	Attaching clamp		
66	955247	6	Hexagon screw		
67	955248	2	Hexagon screw		
68	955780	4	Hexagon nut		
69	414736	1	Nut plate		
70	845946	1	Delivery pipe		Obsolete part, Engine with control motor type crouzet., Cyl. no. 1
71	845947	1	Delivery pipe		Engine with control motor type crouzet., Cyl. no. 2, Obsolete part
72	845948	1	Delivery pipe		Engine with control motor type crouzet., Cyl. no. 3, Obsolete part
73	845949	1	Delivery pipe		Engine with control motor type crouzet., Cyl. no. 4, Obsolete part
74	845950	1	Delivery pipe		Engine with control motor type crouzet., Cyl. no. 5, Obsolete part
75	845951	1	Delivery pipe		Engine with control motor type crouzet., Cyl. no. 6, Obsolete part
76	955282	1	Hexagon screw		L=70mm
77	941906	2	Spring washer		
78	955781	2	Hexagon nut		
79	940101	1	Hexagon screw		L=40mm
80	845954	1	Tube		Obsolete part
81	845955	1	Pipe		
82	846183	6	Hollow screw		
83	845953	6	Gasket		
84	845952	1	Clamp		Obsolete part
85	22753	2	Nipple		