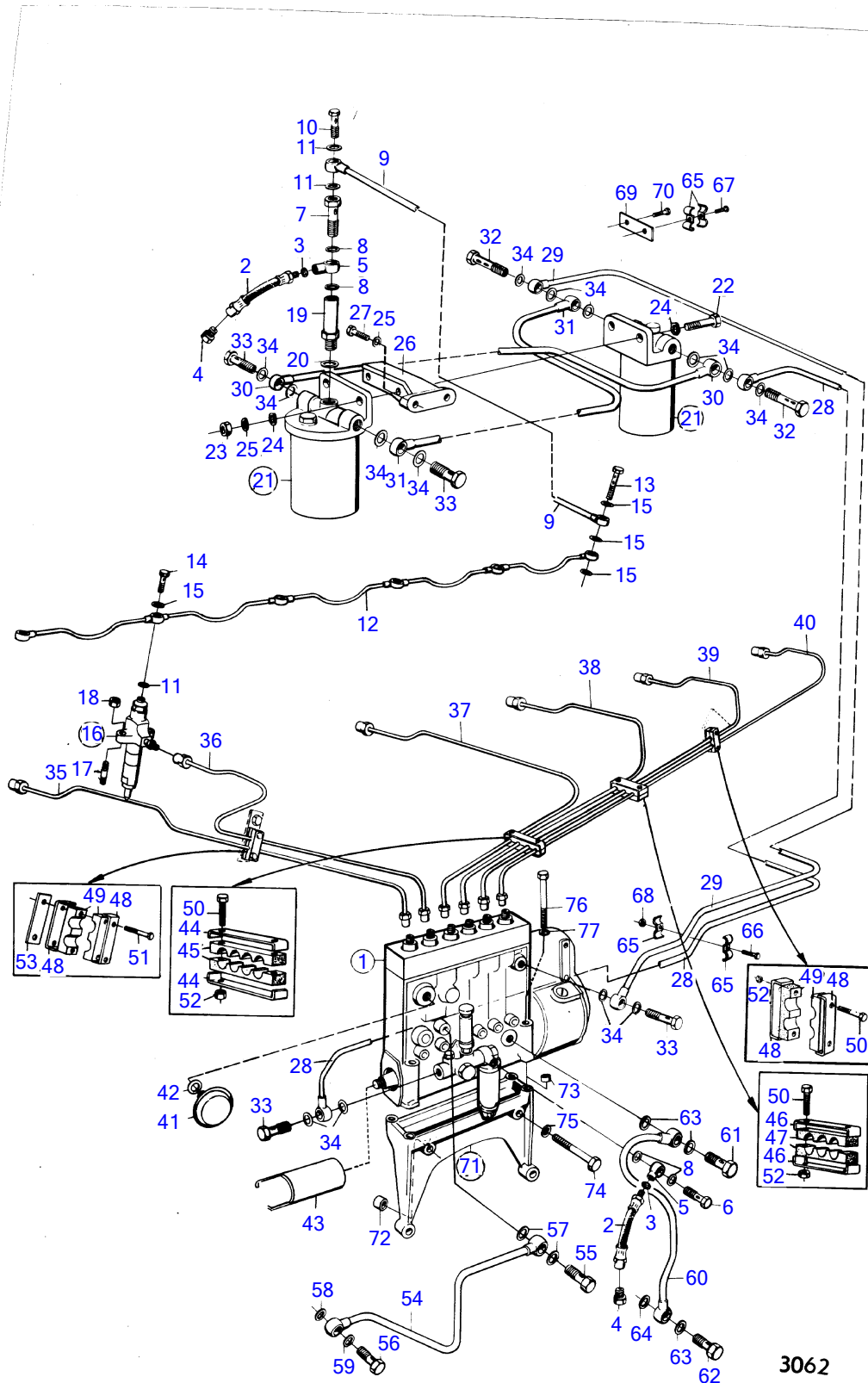


TMD100A



TMD100A

REF	PART NO.	QTY	DESCRIPTION	NOTES
1		1		Included in fuel injector.
		1		For generating unit.
	836907	1	Injection pump	Repl by 843569
	843569	1	Injection pump	Obsolete part
2		2	fuel hose	Std Repl by 837363
		2	fuel hose	Spec VER Repl by 837364
3	11998	2	Gasket	
4	22753	2	Nipple	
5	26016	2	Banjo nipple	Obsolete part
6	25167	1	Hollow screw	
7	16496	1	Hollow screw	
8	18671	4	Gasket	
9	820824	1	Tube	Obsolete part
10	74033	1	Hollow screw	
11	957171	3	Gasket	
12	424202	1	Leak-off pipe	
13	74034	1	Hollow screw	
14	74033	5	Hollow screw	
15	957171	12	Gasket	
16	240346	6	Injector	
17	941928	12	Stud	
18	417110	12	Nut	
19	35096	1	Overflow valve	
20	957178	1	Gasket	
21		2		Repair kit 6211269
22	955538	2	Hexagon screw	
23	955827	2	Hexagon nut	
24	940097	4	Washer	
25	942336	4	Spring washer	
26	422196	1	Bracket	Obsolete part
27	955537	2	Hexagon screw	
28	820818	1	Fuel pipe	Obsolete part
29	820819	1	Fuel pipe	Obsolete part
30	422267	1	Fuel pipe	Obsolete part
31	422268	1	Fuel pipe	Obsolete part
32	180211	2	Hollow screw	
33	25167	4	Hollow screw	
34	957178	14	Gasket	
35	896730	1	Delivery pipe	Cyl. no. 1, Obsolete part
36	896731	1	Delivery pipe	Cyl. no. 2, Obsolete part
37	896732	1	Delivery pipe	Cyl. no. 3, Obsolete part
38	896733	1	Delivery pipe	Cyl. no. 4, Obsolete part
39	896734	1	Delivery pipe	Cyl. no. 5, Obsolete part
40	896735	1	Delivery pipe	Cyl. no. 6, Obsolete part
41	466398	1	Pressure equalizer	
42	18671	1	Gasket	
43				
44	414348	2	Attaching clamp	Obsolete part
45	414349	2	Attaching clamp	Obsolete part
46	414346	2	Attaching clamp	
47	414347	2	Attaching clamp	
48	414344	4	Attaching clamp	
49	414345	4	Attaching clamp	
50	955247	6	Hexagon screw	
51	955248	2	Hexagon screw	
52	955780	6	Hexagon nut	
53	414736	1	Nut plate	
54	422245	1	Oil feed pipe	
55	48634	1	Hollow screw	
56	942081	1	Hollow screw	
57	957173	2	Gasket	
58	18666	1	Gasket	
59	11994	1	Gasket	

TMD100A

REF	PART NO.	QTY	DESCRIPTION	NOTES
60	422246	1	Return pipe	
61	25167	1	Hollow screw	
62	954394	1	Hollow screw	
63	18671	3	Gasket	
64	11998	1	Gasket	
65	404279	6	Attaching clamp	
66	950047	2	Cross recessed screw	
67	950048	1	Cross recessed screw	
68	955825	2	Hexagon nut	
69		1		
70	955560	1	Hexagon screw	
71	468558	1	Bracket	
72	423161	2	Guide sleeve	Obsolete part
73	417588	1	Guide sleeve	
74	955566	4	Hexagon screw	
75	940280	4	Spring washer	
76	940156	4	Hexagon screw	
77	190509	4	Washer	