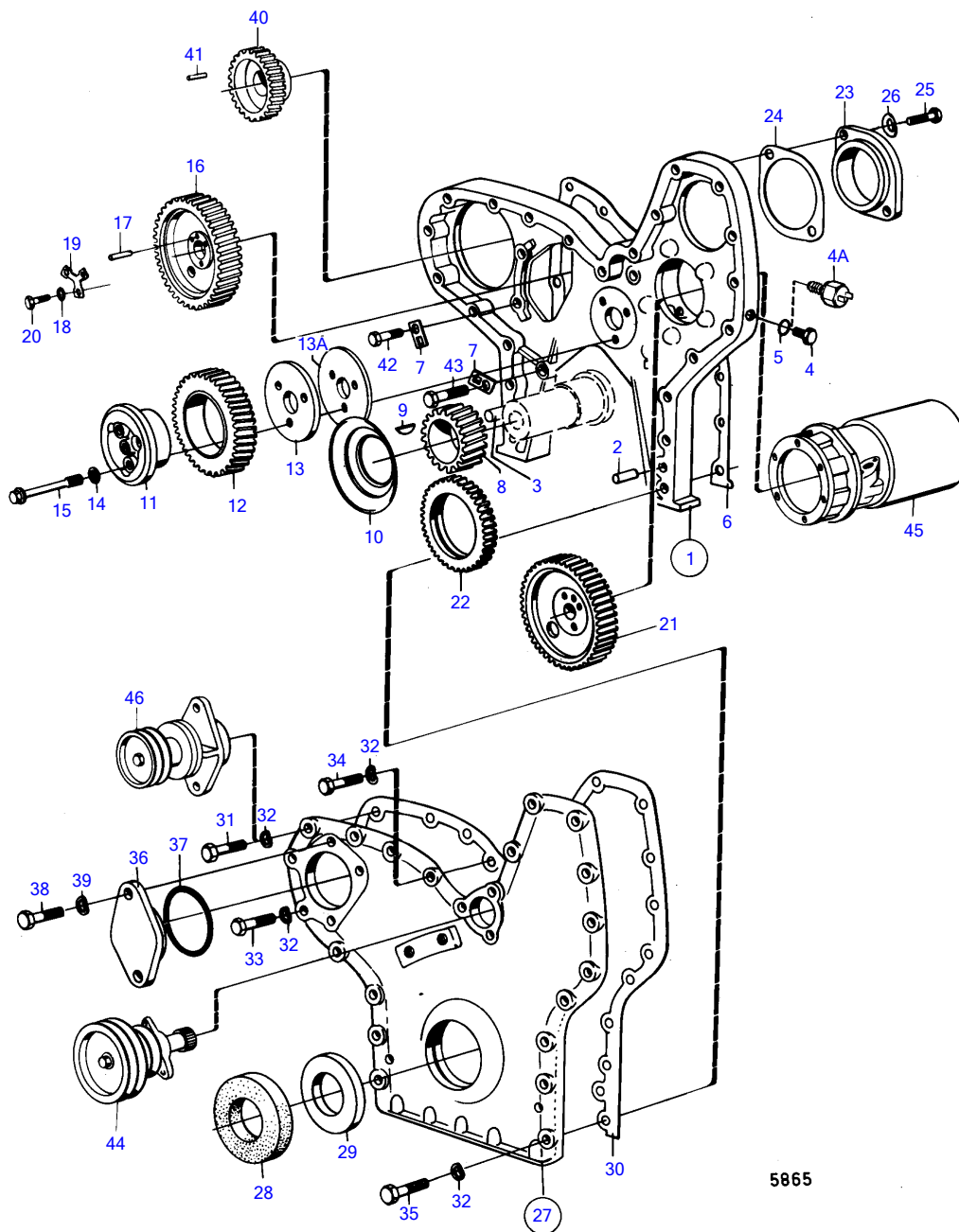


MD100B



5865

MD100B

REF	PART NO.	QTY	DESCRIPTION	SEE SEC.	NOTES
1	422622	1	Timing gear casing		
2	941510	1	• Pin		
3	941511	1	• Pin		
4	943681	1	Plug		
4A	354671	1	Tachometer sensor		(837783) see group 3
5	925059	1	O-ring		
6	468557	1	Gasket		
7	941572	5	Tab washer		Obsolete part
8	423080	1	Gear	13964	
			Bulletin 45-01	45-01-EN	Timing Gears, 71, 100, 121
9	422253	1	Woodruff key	13964	
10	423177	1	Oil deflector	13964	
11		1	spindle		MO-56861/XXXX, Replaced by 1ea 467461 and 1ea 467463.
	467463	1	Bearing spindle		MO56862/XXXX-
12		1	idler gear		MO-56861/XXXX, Replaced by 1ea 467461 and 1ea 467463.
	467461	1	Idler gear		MO56862/XXXX-
			Bulletin 45-01	45-01-EN	Timing Gears, 71, 100, 121
13		1	thrust washer		MO-56861/XXXX, Replaced by 1ea 467461 and 1ea 467463.
	467529	1	Thrust washer		MO56862/XXXX-
13A	467528	1	Bearing shield		MO56862/XXXX-
14	942180	3	Disc spring		MO-56861/XXXX
15	468738	3	Screw		
16	423079	1	Gear	13965	
			Bulletin 45-01	45-01-EN	Timing Gears, 71, 100, 121
17	950588	1	Pin	13965	
18	467055	3	Washer	13965	
19	467052	1	Lock washer	13965	
20	940128	3	Hexagon screw	13965	
21	423079	1	Gear, injection pump		See group 2C
			Bulletin 45-01	45-01-EN	Timing Gears, 71, 100, 121
22	422047	1	Gear	13972	
23	420183	1	Cover		
24	820751	1	Gasket		
25	940115	2	Hexagon screw		
26	942336	2	Spring washer		
27	823637	1	Cover		
28	941666	1	• Sealing ring		
29	837851	1	• Sealing ring		
30	422626	1	Gasket		
31	940162	10	Hexagon screw		
32	942336	20	Spring washer		
33	955538	2	Hexagon screw		
34	955541	2	Hexagon screw		
35	955544	6	Hexagon screw		
36	420183	1	Cover		
37	420213	1	Seal		
38	940115	2	Hexagon screw		
39	942336	2	Spring washer		
40	820957	1	Gear, sea water pump		See group 2B
41	950564	1	• Pin		See group 2B
42	941939	4	Screw		
43	955537	1	Hexagon screw		
44					

7742120-21-13969C

5865

Upd:2011-03-01

MD100A, TMD100A, TMD100AK, TMD100A-CC, MD100B, MD100BK, MD100B-CC

