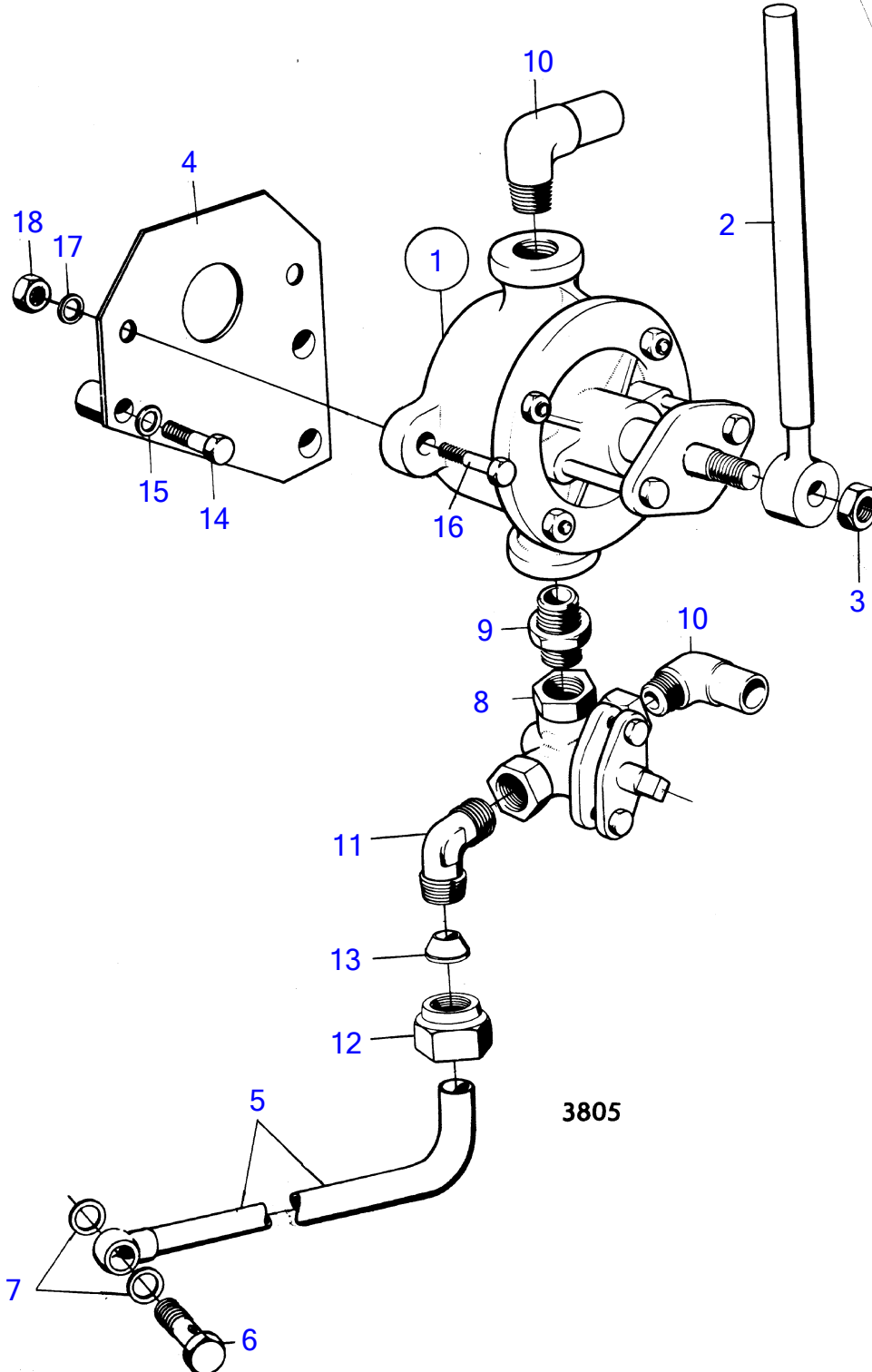


MD100A, TMD100A, TMD100AK, TMD100A-CC, MD100B, MD100BK, MD100B-CC



MD100A, TMD100A, TMD100AK, TMD100A-CC, MD100B, MD100BK, MD100B-CC

| REF | PART NO. | QTY | DESCRIPTION | NOTES |
|-----|----------|-----|-----------------|-------------------------|
| 1 | 805999 | 1 | Oil bilge pump | |
| 2 | 821713 | 1 | • Handle | |
| 3 | 955827 | 1 | • Hexagon nut | |
| 4 | (846174) | 1 | Bracket | (820677), Obsolete part |
| 5 | (820892) | 1 | Tube | Obsolete part |
| 6 | 26013 | 1 | Hollow screw | |
| 7 | 957181 | 2 | Gasket | |
| 8 | 807721 | 1 | Tap | |
| 9 | 16452 | 1 | Double nipple | |
| 10 | 803490 | 2 | Hose attachment | |
| 11 | 941758 | 1 | Elbow nipple | |
| 12 | 941752 | 1 | Fitting nut | |
| 13 | 941753 | 1 | Ferrule | |
| 14 | 940161 | 1 | Hexagon screw | |
| 15 | 941907 | 1 | Spring washer | |
| 16 | 955535 | 2 | Hexagon screw | |
| 17 | 942336 | 2 | Spring washer | |
| 18 | 955827 | 2 | Hexagon nut | |