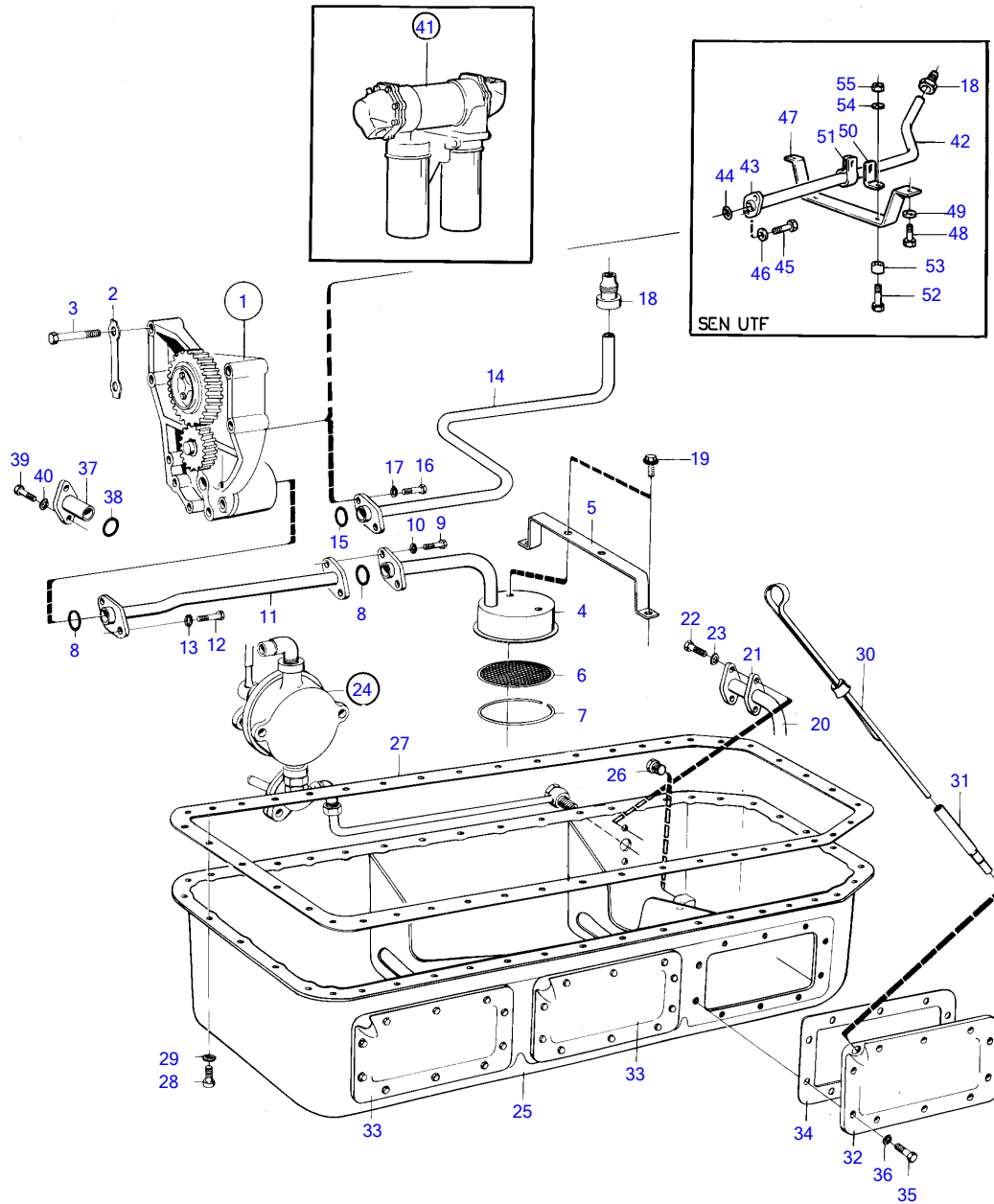


MD100A, TMD100A, TMD100AK, TMD100A-CC, MD100B, MD100BK, MD100B-CC



6381

MD100A, TMD100A, TMD100AK, TMD100A-CC, MD100B, MD100BK, MD100B-CC

| REF | PART NO.  | QTY | DESCRIPTION                                    | SEE SEC. | NOTES                          |
|-----|-----------|-----|--|----------|--------------------------------|
| 1   | 422039    | 1   | Oil pump                                       |          | MO-64287/XXXX, Repl by 467517  |
|     |           |     | .  | 13972    |                                |
|     | 467517    | 1   | Oil pump                                       |          | MO64288/XXXX-                  |
|     |           |     | .  | 13973    |                                |
| 2   | 190529    | 2   | Tab washer                                     |          |                                |
| 3   | 955538    | 4   | Hexagon screw                                  |          |                                |
| 4   | (422051)  | 1   | Tube   |          | Obsolete part                  |
| 5   | 896682    | 1   | Bracket  |          |                                |
| 6   | 414621    | 1   | Wire gauze                                     |          |                                |
| 7   | (118125)  | 1   | Snap ring                                      |          | Obsolete part                  |
| 8   | 925060    | 2   | O-ring   |          |                                |
| 9   | 955530    | 2   | Hexagon screw                                  |          |                                |
| 10  | 941907    | 2   | Spring washer                                  |          |                                |
| 11  | (896684)  | 1   | Intermediate pipe                              |          | Obsolete part                  |
| 12  | 940135    | 2   | Hexagon screw                                  |          |                                |
| 13  | 941907    | 2   | Spring washer                                  |          |                                |
| 14  | 422178    | 1   | Oil pipe                                       |          | Early type                     |
| 15  | 949656    | 1   | O-ring   |          | Early type                     |
| 16  | 955530    | 2   | Hexagon screw                                  |          | Early type                     |
| 17  | 941907    | 2   | Spring washer                                  |          |                                |
| 18  | 466907    | 1   | Fitting  |          | (940357)                       |
| 19  | 942402    | 4   | Flange screw                                   |          |                                |
| 20  | 896775    | 1   | Pipe   |          |                                |
| 21  | 802287    | 1   | Gasket   |          |                                |
| 22  | 955525    | 2   | Hexagon screw                                  |          |                                |
| 23  | 941907    | 2   | Spring washer                                  |          |                                |
| 24  |           | 1   | oil bilge pump with<br>installation components | 13961    |                                |
| 25  | 896680    | 1   | Sump   |          |                                |
| 26  | 951906    | 1   | Magnetic plug                                  |          | MO-XXXX/15995                  |
|     | (947807)  | 1   | Nipple, nipple                                 | 13963    | Obsolete part<br>MOXXXX/15996- |
| 27  | 422025    | 1   | Gasket   |          |                                |
| 28  | 956570    | 41  | Hex. socket screw                              |          |                                |
| 29  | 941907    | 41  | Spring washer                                  |          |                                |
| 30  | 821101    | 1   | Oil dipstick                                   |          |                                |
| 31  | 801480    | 1   | Sleeve   |          |                                |
| 32  | 802057    | 1   | Hatch  |          |                                |
| 33  | (800877)  | 2   | Hatch  |          | Obsolete part                  |
| 34  | 823185    | 3   | Gasket   |          |                                |
| 35  | 956569    | 36  | Hex. socket screw                              |          |                                |
| 36  | 11992     | 36  | Gasket   |          |                                |
| 37  | 421123    | 1   | Reduction valve                                |          |                                |
| 38  | 925062    | 1   | O-ring   |          |                                |
| 39  | 940100    | 2   | Hexagon screw                                  |          |                                |
| 40  | 941906    | 2   | Spring washer                                  |          |                                |
| 41  |           | 1   | oil filter and installation components         | 13960    |                                |
| 42  | (1545270) | 1   | Oil pressure pipe                              |          | Obsolete part, Late type       |
| 43  | 1545272   | 1   | Flange   |          | Late type                      |
| 44  | 1545271   | 1   | Sealing ring                                   |          | Late type                      |
| 45  | 955531    | 2   | Hexagon screw                                  |          | Late type                      |
| 46  | 941907    | 2   | Spring washer                                  |          | Late type                      |
| 47  | 1545011   | 1   | Bracket  |          | Late type                      |
| 48  | 955523    | 2   | Hexagon screw                                  |          | Late type                      |
| 49  | 941907    | 2   | Spring washer                                  |          | Late type                      |
| 50  | 1545203   | 1   | Bracket  |          | Late type                      |
| 51  | 943121    | 1   | Clamp  |          | Late type                      |
| 52  | 940117    | 3   | Hexagon screw                                  |          | Late type                      |
| 53  | 1545269   | 3   | Spacer sleeve                                  |          | Late type                      |
| 54  | 960140    | 3   | Washer   |          | Late type                      |
| 55  | 955825    | 3   | Hexagon nut                                    |          | Late type                      |

7742120-21-13971

6381

Upd:2011-03-01

MD100A, TMD100A, TMD100AK, TMD100A-CC, MD100B, MD100BK, MD100B-CC

**VOLVO**  
**PENTA**