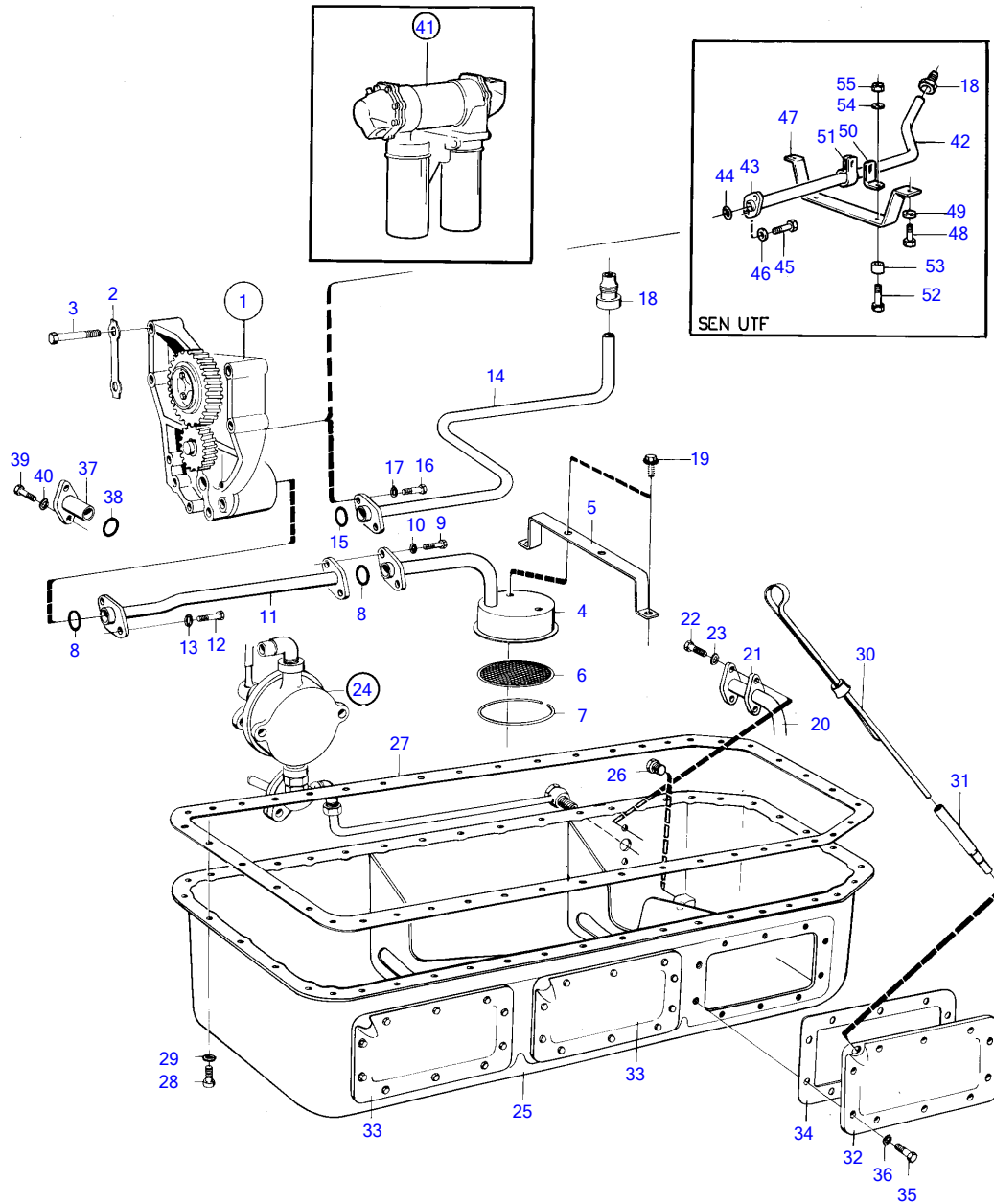


MD100A, TMD100A, TMD100AK, TMD100A-CC, MD100B, MD100BK, MD100B-CC



6381

MD100A, TMD100A, TMD100AK, TMD100A-CC, MD100B, MD100BK, MD100B-CC

| REF | PART NO. | QTY | DESCRIPTION | SEE SEC. | NOTES |
|-----|-----------|-----|--|----------|--------------------------------|
| 1 | 422039 | 1 | Oil pump | | MO-64287/XXXX, Repl by 467517 |
| | | | . | 13972 | |
| | 467517 | 1 | Oil pump | | MO64288/XXXX- |
| | | | . | 13973 | |
| 2 | 190529 | 2 | Tab washer | | |
| 3 | 955538 | 4 | Hexagon screw | | |
| 4 | (422051) | 1 | Tube | | Obsolete part |
| 5 | 896682 | 1 | Bracket | | |
| 6 | 414621 | 1 | Wire gauze | | |
| 7 | (118125) | 1 | Snap ring | | Obsolete part |
| 8 | 925060 | 2 | O-ring | | |
| 9 | 955530 | 2 | Hexagon screw | | |
| 10 | 941907 | 2 | Spring washer | | |
| 11 | (896684) | 1 | Intermediate pipe | | Obsolete part |
| 12 | 940135 | 2 | Hexagon screw | | |
| 13 | 941907 | 2 | Spring washer | | |
| 14 | 422178 | 1 | Oil pipe | | Early type |
| 15 | 949656 | 1 | O-ring | | Early type |
| 16 | 955530 | 2 | Hexagon screw | | Early type |
| 17 | 941907 | 2 | Spring washer | | |
| 18 | 466907 | 1 | Fitting | | (940357) |
| 19 | 942402 | 4 | Flange screw | | |
| 20 | 896775 | 1 | Pipe | | |
| 21 | 802287 | 1 | Gasket | | |
| 22 | 955525 | 2 | Hexagon screw | | |
| 23 | 941907 | 2 | Spring washer | | |
| 24 | | 1 | oil bilge pump with installation components | 13961 | |
| 25 | 896680 | 1 | Sump | | |
| 26 | 951906 | 1 | Magnetic plug | | MO-XXXX/15995 |
| | (947807) | 1 | Nipple, nipple | 13963 | Obsolete part MOXXXX/15996- |
| 27 | 422025 | 1 | Gasket | | |
| 28 | 956570 | 41 | Hex. socket screw | | |
| 29 | 941907 | 41 | Spring washer | | |
| 30 | 821101 | 1 | Oil dipstick | | |
| 31 | 801480 | 1 | Sleeve | | |
| 32 | 802057 | 1 | Hatch | | |
| 33 | (800877) | 2 | Hatch | | Obsolete part |
| 34 | 823185 | 3 | Gasket | | |
| 35 | 956569 | 36 | Hex. socket screw | | |
| 36 | 11992 | 36 | Gasket | | |
| 37 | 421123 | 1 | Reduction valve | | |
| 38 | 925062 | 1 | O-ring | | |
| 39 | 940100 | 2 | Hexagon screw | | |
| 40 | 941906 | 2 | Spring washer | | |
| 41 | | 1 | oil filter and installation components | 13960 | |
| 42 | (1545270) | 1 | Oil pressure pipe | | Obsolete part, Late type |
| 43 | 1545272 | 1 | Flange | | Late type |
| 44 | 1545271 | 1 | Sealing ring | | Late type |
| 45 | 955531 | 2 | Hexagon screw | | Late type |
| 46 | 941907 | 2 | Spring washer | | Late type |
| 47 | 1545011 | 1 | Bracket | | Late type |
| 48 | 955523 | 2 | Hexagon screw | | Late type |
| 49 | 941907 | 2 | Spring washer | | Late type |
| 50 | 1545203 | 1 | Bracket | | Late type |
| 51 | 943121 | 1 | Clamp | | Late type |
| 52 | 940117 | 3 | Hexagon screw | | Late type |
| 53 | 1545269 | 3 | Spacer sleeve | | Late type |
| 54 | 960140 | 3 | Washer | | Late type |
| 55 | 955825 | 3 | Hexagon nut | | Late type |

7742120-21-13971

6381

Upd:2011-03-01

MD100A, TMD100A, TMD100AK, TMD100A-CC, MD100B, MD100BK, MD100B-CC

VOLVO
PENTA