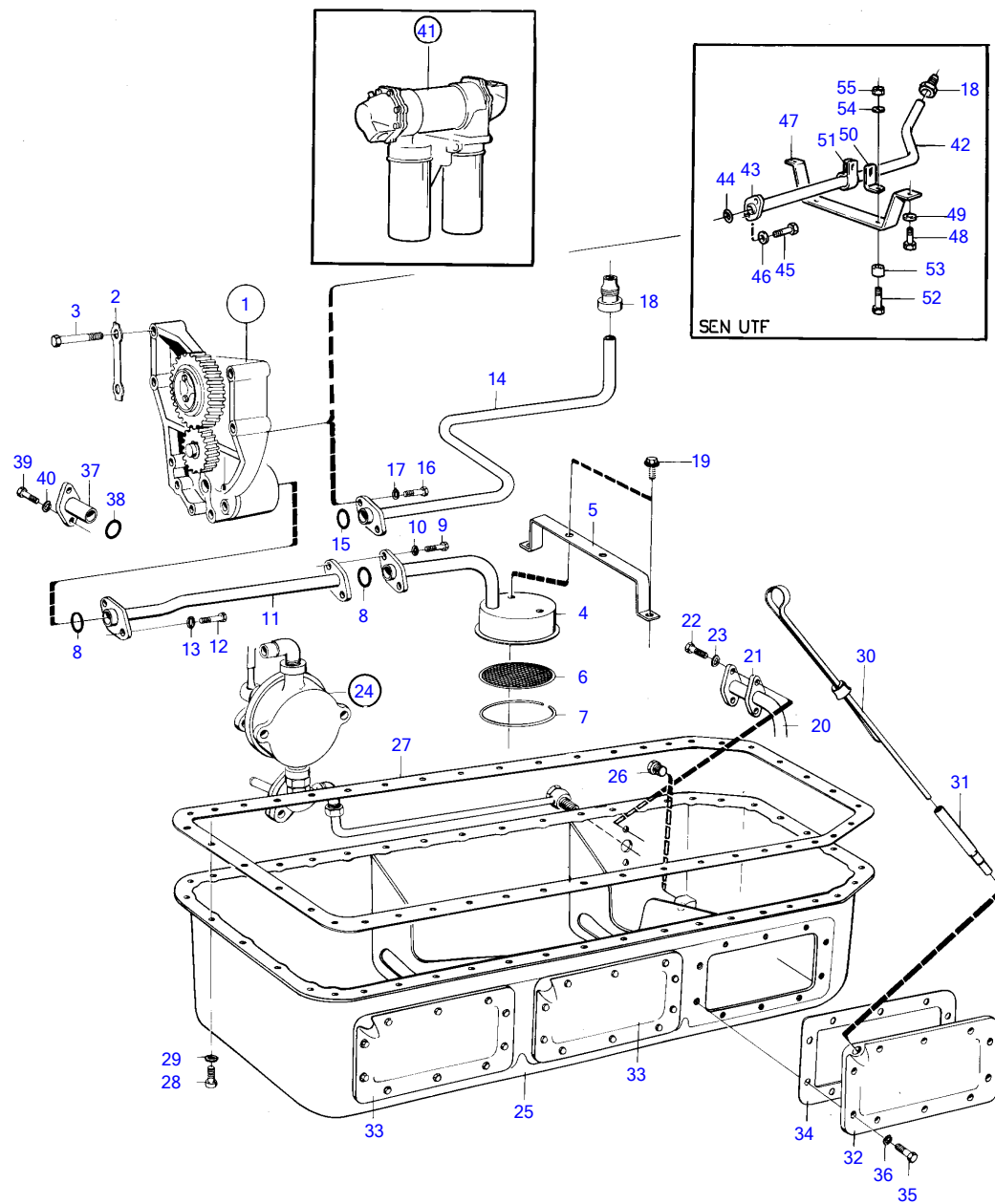


MD100A, TMD100A, TMD100AK, TMD100A-CC, MD100B, MD100BK, MD100B-CC



6381

MD100A, TMD100A, TMD100AK, TMD100A-CC, MD100B, MD100BK, MD100B-CC

REF	PART NO.	QTY	DESCRIPTION	SEE SEC.	NOTES
1	422039	1	Oil pump		MO-64287/XXXX, Repl by 467517
			.	13972	
	467517	1	Oil pump		MO64288/XXXX-
			.	13973	
2	190529	2	Tab washer		
3	955538	4	Hexagon screw		
4	(422051)	1	Tube		Obsolete part
5	896682	1	Bracket		
6	414621	1	Wire gauze		
7	(118125)	1	Snap ring		Obsolete part
8	925060	2	O-ring		
9	955530	2	Hexagon screw		
10	941907	2	Spring washer		
11	(896684)	1	Intermediate pipe		Obsolete part
12	940135	2	Hexagon screw		
13	941907	2	Spring washer		
14	422178	1	Oil pipe		Early type
15	949656	1	O-ring		Early type
16	955530	2	Hexagon screw		Early type
17	941907	2	Spring washer		
18	466907	1	Fitting		(940357)
19	942402	4	Flange screw		
20	896775	1	Pipe		
21	802287	1	Gasket		
22	955525	2	Hexagon screw		
23	941907	2	Spring washer		
24		1	oil bilge pump with installation components	13961	
25	896680	1	Sump		
26	951906	1	Magnetic plug		MO-XXXX/15995
	(947807)	1	Nipple, nipple	13963	Obsolete part MOXXXX/15996-
27	422025	1	Gasket		
28	956570	41	Hex. socket screw		
29	941907	41	Spring washer		
30	821101	1	Oil dipstick		
31	801480	1	Sleeve		
32	802057	1	Hatch		
33	(800877)	2	Hatch		Obsolete part
34	823185	3	Gasket		
35	956569	36	Hex. socket screw		
36	11992	36	Gasket		
37	421123	1	Reduction valve		
38	925062	1	O-ring		
39	940100	2	Hexagon screw		
40	941906	2	Spring washer		
41		1	oil filter and installation components	13960	
42	(1545270)	1	Oil pressure pipe		Obsolete part, Late type
43	1545272	1	Flange		Late type
44	1545271	1	Sealing ring		Late type
45	955531	2	Hexagon screw		Late type
46	941907	2	Spring washer		Late type
47	1545011	1	Bracket		Late type
48	955523	2	Hexagon screw		Late type
49	941907	2	Spring washer		Late type
50	1545203	1	Bracket		Late type
51	943121	1	Clamp		Late type
52	940117	3	Hexagon screw		Late type
53	1545269	3	Spacer sleeve		Late type
54	960140	3	Washer		Late type
55	955825	3	Hexagon nut		Late type

7742120-21-13971

6381

Upd:2011-03-01

MD100A, TMD100A, TMD100AK, TMD100A-CC, MD100B, MD100BK, MD100B-CC