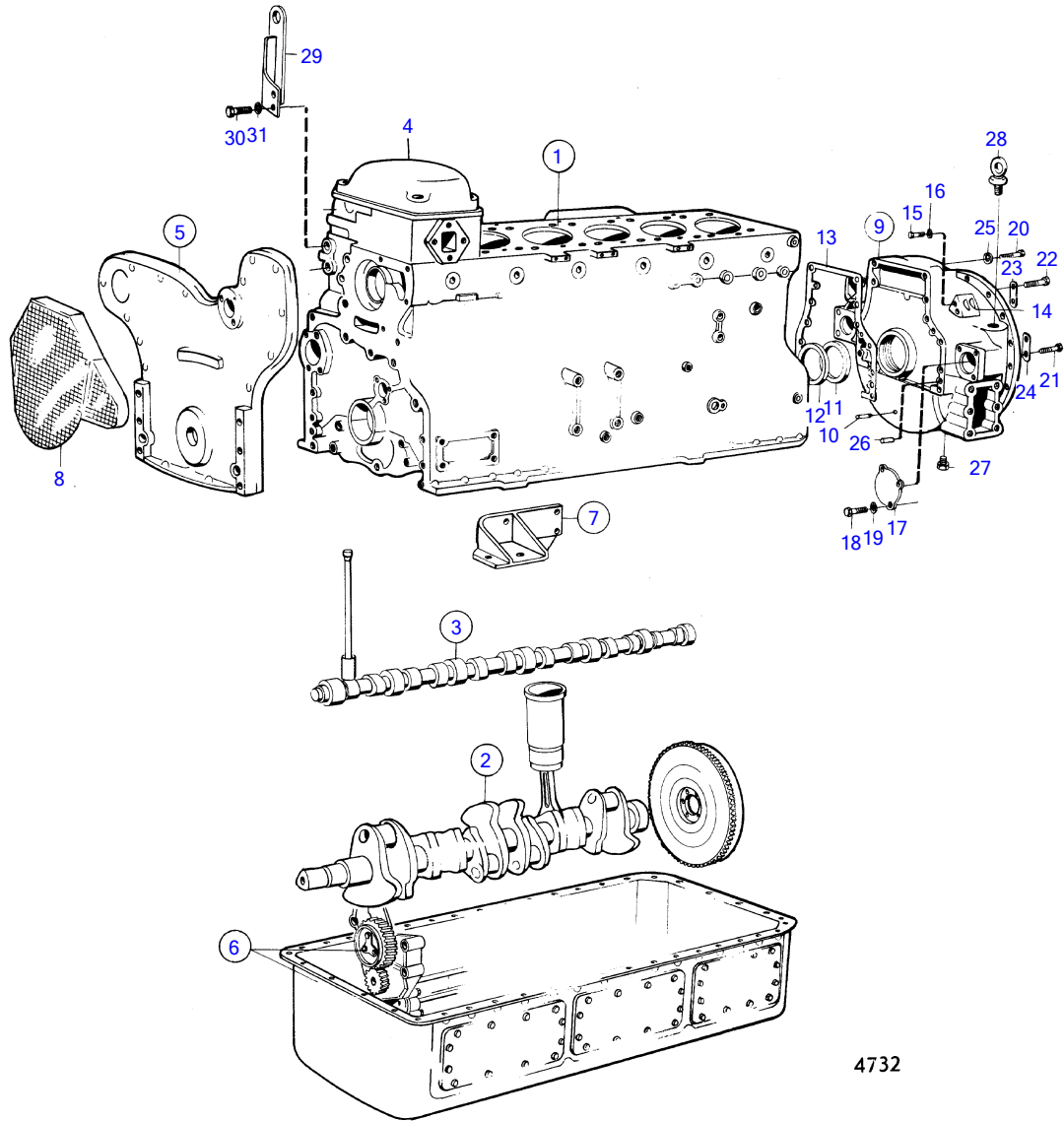


MD100B



MD100B

REF	PART NO.	QTY	DESCRIPTION	SEE SEC.	NOTES
4		1		13968	
5					
8		1	belt protection	13970	
9	846348	1	Flywheel housing		(821791) repl by 846348
	846348	1	Flywheel housing		
10	403270	1	• Pin		
11	821754	1	Sealing ring		
12	821767	1	Spacer ring		
13	468556	1	Gasket		
14	417429	1	Breather cap		Obsolete part
15	940100	2	Hexagon screw		
16	941906	2	Spring washer		
17	423081	1	Flange		
18	940114	3	Hexagon screw		
19	942336	3	Spring washer		
20	955582	2	Hexagon screw		L=70mm
	955583	2	Hexagon screw		L=76mm alt, Obsolete part
21	955587	2	Hexagon screw		
22	955580	8	Hexagon screw		
23	941464	1	Tab washer		L=68mm
24	941465	5	Tab washer		L=81mm
25	941911	2	Spring washer		
26	191171	2	Pin		
27	952357	1	Plug		
28		2	lift eye		
29		1	lift eye		
30	955561	2	Hexagon screw		
31	940280	2	Spring washer		