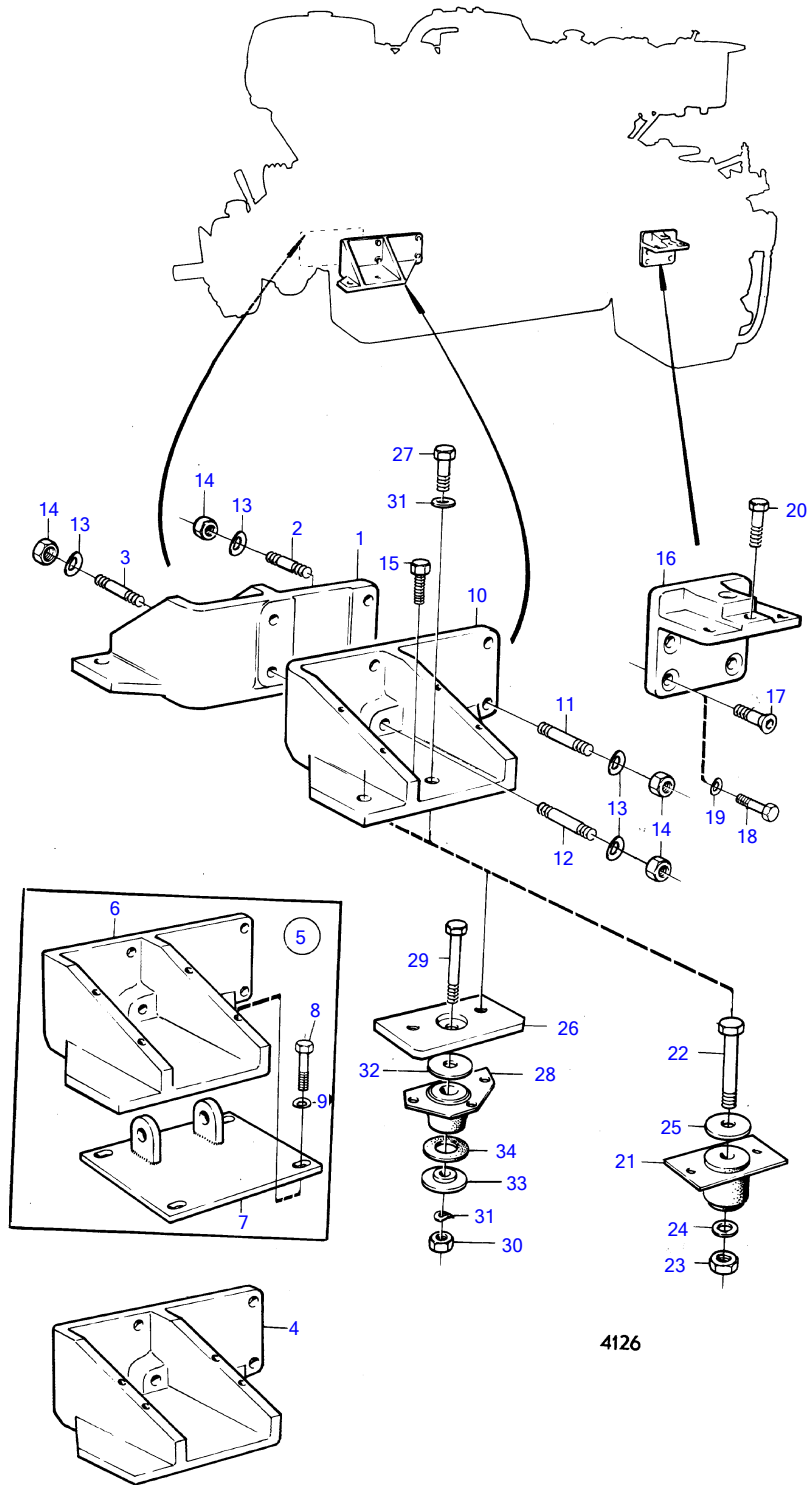


MD100A, TMD100A, TMD100AK, TMD100A-CC, MD100B, MD100BK, MD100B-CC



MD100A, TMD100A, TMD100AK, TMD100A-CC, MD100B, MD100BK, MD100B-CC

REF	PART NO.	QTY	DESCRIPTION	NOTES
1	820633	1	Bracket	S.B
	837587	1	Bracket	For engine with clutch 837494 and 838000., P see group 4A
2	(953351)	3	Stud	Obsolete part, L=70mm
3	953346	1	Stud	L=55mm
4		1	bracket	Replaced by 875357, alternative for engine with engine bracket mounted alternator; by 875357, 822581, 912151 and 950355., P early type
5	(875357)	1	Engine suspension	Obsolete part, P
6	823584	1	• Bracket	
7	823935	1	• Bracket	
8	940135	4	• Hexagon screw	
9	941907	4	• Spring washer	
10	823584	1	Bracket	P late type
	837477	1	Bracket	For engine with clutch 837494 and 838000., P see group 4A
	(837470)	1	Bracket	Obsolete part, For engine with drive take off 837463., P see group 4A
11	953346	3	Stud	L=55mm
12	(953351)	1	Stud	Obsolete part, L=70mm
13	941911	8	Spring washer	
14	955828	8	Hexagon nut	
15	955561	2	Hexagon screw	
16	821685	2	Bracket	
17	(941778)	8	Screw	Obsolete part, MO-XXXX/15718
18	960737	8	Hexagon screw	MOXXXX/15719-
19	940280	8	Spring washer	MOXXXX/15719-
20	955591	2	Hexagon screw	
21	(820646)	8	Rubber cushion	Obsolete part, Early type
22	(192131)	8	Hexagon screw	Obsolete part, Early type
23	955829	8	Hexagon nut	Early type
24	941912	8	Spring washer	Early type
25	(830652)	8	Spacer washer	Obsolete part, Early type
26	(824374)	4	Intermediate plate	Obsolete part, Late type
27	955589	8	Hexagon screw	Late type
28	836961	4	Rubber cushion	Late type
29	959827	4	Hexagon screw	Late type
30	955829	4	Hexagon nut	Late type
31	941912	12	Spring washer	Late type
32	836325	4	Washer	Late type
33	836962	4	Stop washer	Late type
34	836963	4	Rubber washer	Late type