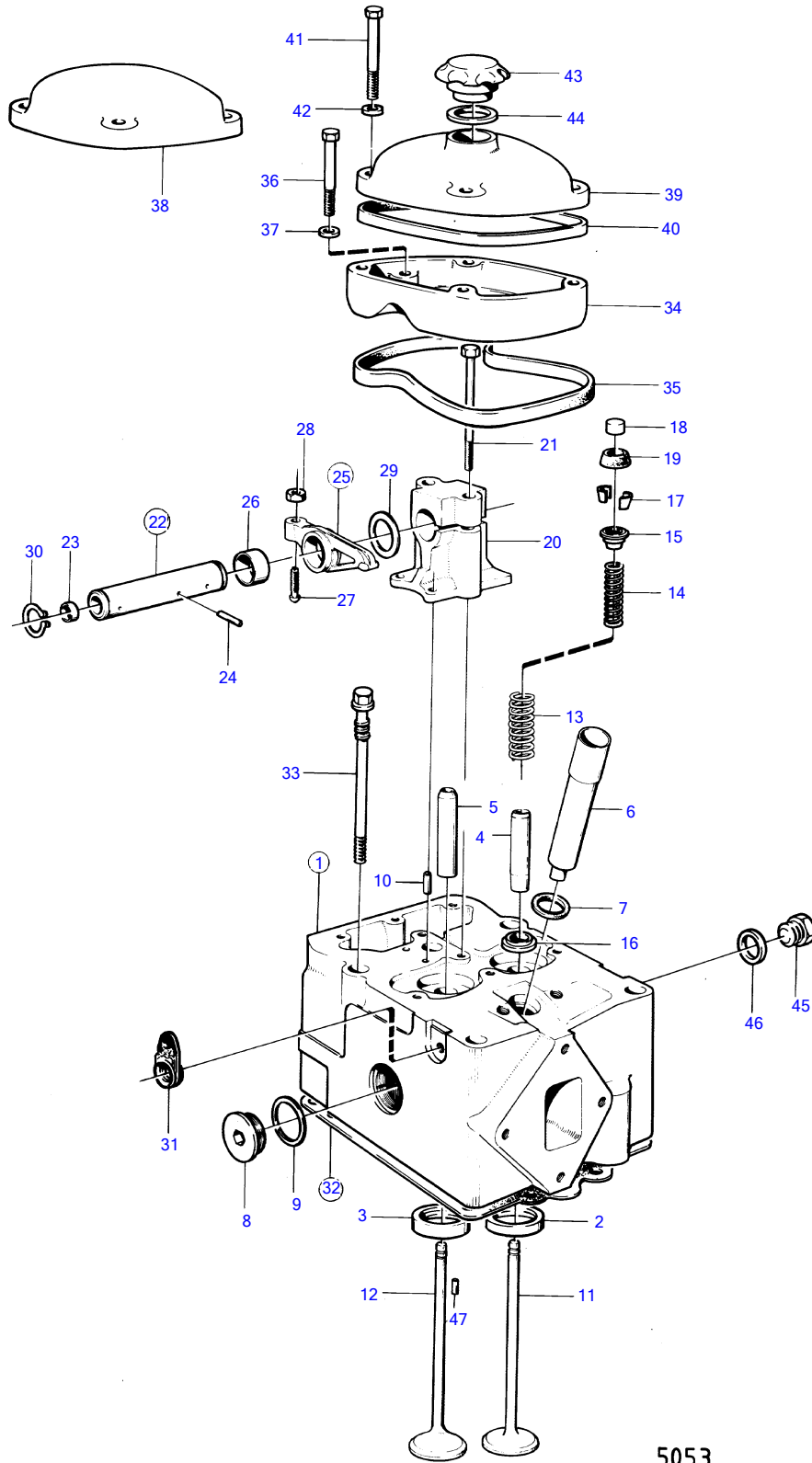


MD100A



19

5053

## MD100A

REF	PART NO.	QTY	DESCRIPTION	NOTES
1		6	Cylinder head	MO-19031/XXXX, Replaced by 467712 and 275551.
		6	Cylinder head	MO-93405/XXXX, MO120796/XXXX-123640/XXXX., Replaced by 467712.
	3803037	6	Cylinder head, exch	MO93406/XXXX- excl MO120796/XXXX-123640/XXXX, (467712)
2	422011	6	• Valve seat, intake	Std D, MO-93405/XXXX, MO120796/XXXX-123640/XXXX.
	467474	6	• Valve seat, intake	Std D, MO93406/XXXX- excl MO120796/XXXX-123640/XXXX
	(422299)	6	• Valve seat, intake	Obsolete part, 0,20mm over size, MO-93405/XXXX, MO120796/XXXX-123640/XXXX.
	467590	6	• Valve seat, intake	0,20mm over size, MO93406/XXXX- excl MO120796/XXXX-123640/XXXX
3	422012	6	• Valve seat, exhaust	Std D, MO-93405/XXXX, MO120796/XXXX-123640/XXXX.
	467475	6	• Valve seat, exhaust	Std D, MO93406/XXXX- excl MO120796/XXXX-123640/XXXX
	(422296)	6	• Valve seat, exhaust	Obsolete part, 0,20mm over size, MO-93405/XXXX, MO120796/XXXX-123640/XXXX.
	(467591)	6	• Valve seat, exhaust	Obsolete part, 0,20mm over size, MO93406/XXXX- excl MO120796/XXXX-123640/XXXX
4	422320	6	• Valve guide, intake	
5	1545135	6	• Valve guide, exhaust	(421297)
6	467417	6	• Copper sleeve kit	
7	469205	6	• Sealing ring	
8	467365	12	• Plug	MO-93405/XXXX, MO120796/XXXX-123640/XXXX.
	467365	12	• Plug	MO93406/XXXX- excl MO120796/XXXX-123640/XXXX, (467714)
9	468461	12	• Gasket	
10	950543	12	• Pin	
11	422016	6	• Inlet valve	MO-124039/XXXX, Replaced by 467502 valve, 468305 valve lock and 467506 washer.
	1545290	6	• Inlet valve	(467502) MO124040/XXXX
12		6	• Exhaust valve	MO-124039/XXXX, Replaced by 467682 valve, 468305 valve lock and 467506 washer.
	467682	6	• Exhaust valve	MO124040/XXXX-
13	467334	12	Valve spring	1pce 467334, 1pce 467335, 1pce 467336 and 1pce 467337 replaces earlier production consisting of 1pce 422038 (valve spring) and 1pce 423211 (washer).
14	467335	12	Valve spring	1pce 467334, 1pce 467335, 1pce 467336 and 1pce 467337 replaces earlier production consisting of 1pce 422038 (valve spring) and 1pce 423211 (washer).
15	(467336)	12	Washer, upper	Obsolete part, MO-124039/XXXX-, 1pce 467334, 1pce 467335, 1pce 467336 and 1pce 467337 replaces earlier production consisting of 1pce 422038 (valve spring) and 1pce 423211 (washer).
	467506	12	Washer, upper	MO124040/XXXX-
16	467337	12	Washer, lower	MO-123640/XXXX, 1pce 467334, 1pce 467335, 1pce 467336 and 1pce 467337 replaces earlier production consisting of 1pce 422038 (valve spring) and 1pce 423211 (washer).
17	402418	24	Valve cotter	MO-124039/XXXX
	468305	24	Valve cotter	MO124040/XXXX-
18	469365	12	Valve cap	(417133)
19	469456	12	Protecting ring	MO-93405/XXXX, MO120796/XXXX-123640/XXXX., (466932)
20	422018	6	Bearing bracket	
21	422428	12	Flange screw	
22	422019	6	Rocker arm shaft	
23	946778	12	• Cap plug	
24	950499	6	• Pin	
25	422063	12	Rocker arm	
26	422066	12	• Bushing	
27	423058	12	• Ball stud	
28	940175	12	• Hexagon nut	
29	941488	12	Washer	
30	914459	12	Snap ring	
31	423139	6	Sealing ring	
32	275490	6	Gasket kit	For cylinder head 422275.
	275551	6	Cylinder head gasket	
	422415	12	• Sealing ring	D=18mm
	422414	12	• Sealing ring	D=32mm
	422413	6	• Sealing ring	D=11mm
33	467918	24	Flange screw	(422086)
34	423142	6	Cover, lower	
35	423145	6	Gasket	
36	940159	12	Hexagon screw	

7742120-21-13967

5053

Upd:2011-03-01

## MD100A

REF	PART NO.	QTY	DESCRIPTION	NOTES
37	955894	12	Washer	
38	423143	5	Cover, upper, upper	
39	423144	1	Cover	
40	423146	6	Gasket	
41	955530	24	Hexagon screw	
42	942580	24	Gasket	
43	420292	1	Oil filler cap	
44	940096	1	Gasket	
45	941876	1	Plug	
46	18666	1	Gasket	
47	(949020)	12	Pin	Obsolete part