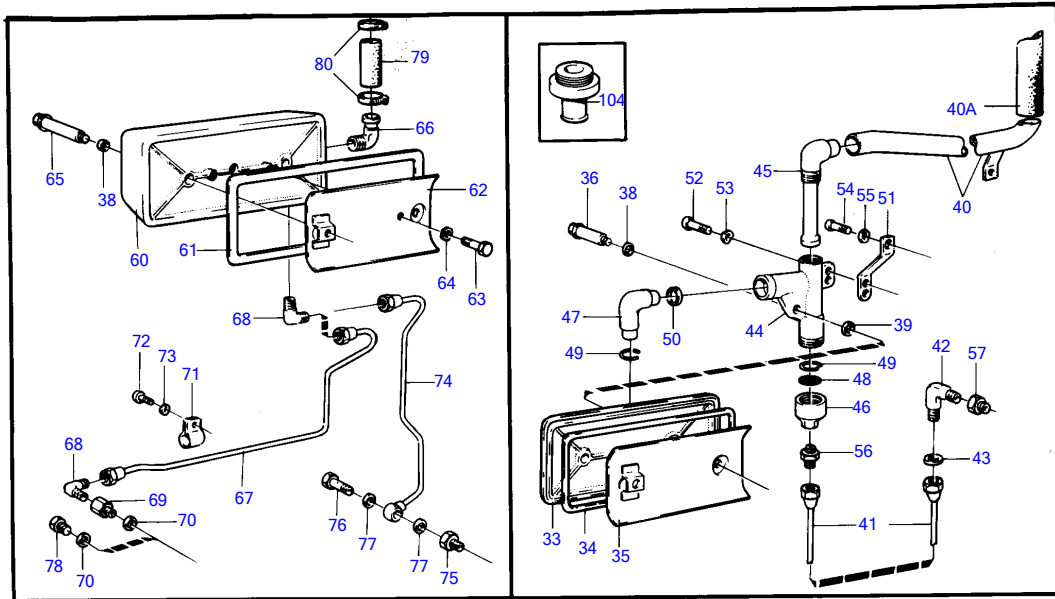


MD100A



6409

## MD100A

| REF | PART NO. | QTY | DESCRIPTION      | SEE SEC. | NOTES  |
|-----|----------|-----|------------------|----------|--|
| 1   | 467480   | 1   | Cylinder block   |          | Repl by 467940   |
|     |          | 1   |                  |          | Replaced by 1ea 840265 1ea 829556 2ea 955274 1ea 829558 1ea 829557 1ea 840266 1ea 941686 3ea 957179 1ea 16374. |
|     | 1545210  | 1   | Cylinder block   |          |  |
| 2   |          | 7   | • bearing cap    |          |  |
| 3   | 422426   | 1   | • Pivot pin      |          |  |
| 4   | 422067   | 14  | • Flange screw   |          |  |
| 5   | 422076   | 1   | • Bushing        |          |  |
| 6   | 422077   | 1   | • Bushing        |          |  |
| 7   | 422078   | 1   | • Bushing        |          |  |
| 8   | 422079   | 1   | • Bushing        |          |  |
| 9   | 422080   | 1   | • Bushing        |          |  |
| 10  | 422081   | 1   | • Bushing        |          |  |
| 11  | 422082   | 1   | • Bushing        |          |  |
| 12  | 467367   | 5   | • Plug           |          | (467649)   |
|     | 821335   | 1   | • Plug           |          |  |
| 13  | 469328   | 6   | • Gasket         |          | (468462)   |
| 14  | 952075   | 1   | • Plug           |          |  |
| 15  | 422369   | 7   | • Plug           |          |  |
| 16  | 11996    | 1   | Gasket           |          |  |
| 17  | 955083   | 3   | Cap plug         |          |  |
| 18  | 180761   | 1   | Plug             |          |  |
| 19  | 468463   | 1   | Gasket           |          |  |
| 20  | 16318    | 3   | Plug             |          |  |
| 21  | 907132   | 3   | Gasket           |          |  |
| 22  | 190798   | 1   | Plug             |          |  |
| 23  | 18818    | 1   | Gasket           |          |  |
| 24  | (191025) | 1   | Plug             |          | Obsolete part  |
| 25  | 957178   | 1   | Gasket           |          |  |
| 26  | 192114   | 1   | Plug             |          |  |
| 27  | 957185   | 1   | Gasket           |          |  |
| 28  | 952075   | 1   | Plug             |          |  |
| 29  | 467366   | 1   | Plug             |          |  |
| 30  | 952077   | 1   | Plug             |          |  |
| 31  | 955082   | 1   | Cap plug         |          |  |
| 32  | 423120   | 2   | Inspection cover |          |  |
| 33  | 423121   | 1   | Inspection cover |          | Spec. 9881, 9890. 9919, 9958, 9960.  |
| 34  | 467409   | 3   | Gasket           |          | Spec. 9881, 9890. 9919, 9958, 9960.  |
| 35  | 422542   | 1   | Splash plate     |          | Spec. 9881, 9890. 9919, 9958, 9960., Excl. spec. 9882, 9961, 9982.   |
| 36  | (823371) | 1   | Screw            |          | Spec. 9881, 9890. 9919, 9958, 9960., Excl. spec. 9882, 9961, 9982., Obsolete part                              |
| 37  | 422541   | 5   | Screw            |          | Spec. 9881, 9890. 9919, 9958, 9960., Excl. spec. 9882, 9961, 9982.   |
| 38  | 424342   | 6   | Sealing ring     |          |  |
| 39  | 420269   | 1   | Sealing ring     |          | Spec. 9881, 9890. 9919, 9958, 9960., Excl. spec. 9882, 9961, 9982.   |
| 40  | (821304) | 1   | Breather pipe    |          | Spec. 9881, 9890. 9919, 9958, 9960., Excl. spec. 9882, 9961, 9982., Spec. 9882, 9961., Obsolete part           |
| 40A | 952973   | X   | Hose             |          | Excl. spec. 9882, 9961, 9982, 9983, 867041, 867157, 817171., L=65mm, see group 2B                              |
| 41  | (820946) | 1   | Oil pipe         |          | Spec. 9881, 9890. 9919, 9958, 9960., Excl. spec. 9882, 9961, 9982., Obsolete part                              |
| 42  | 954342   | 1   | Elbow nipple     |          | Spec. 9881, 9890. 9919, 9958, 9960., Excl. spec. 9882, 9961, 9982.   |
| 43  | 957182   | 1   | Gasket           |          | Spec. 9881, 9890. 9919, 9958, 9960., Excl. spec. 9882, 9961, 9982.   |
| 44  | (820837) | 1   | Housing          |          | Spec. 9881, 9890. 9919, 9958, 9960., Excl. spec. 9882, 9961, 9982., Obsolete part                              |
| 45  | (820838) | 1   | Tube             |          | Spec. 9881, 9890. 9919, 9958, 9960., Excl. spec. 9882, 9961, 9982., Obsolete part                              |
| 46  | (820839) | 1   | Bowl             |          | Spec. 9881, 9890. 9919, 9958, 9960., Excl. spec. 9882, 9961, 9982., Obsolete part                              |
| 47  | (820841) | 1   | Riser            |          | Spec. 9881, 9890. 9919, 9958, 9960., Excl. spec. 9882, 9961, 9982., Obsolete part                              |
| 48  | (820842) | 2   | Strainer         |          | Spec. 9881, 9890. 9919, 9958, 9960., Excl. spec. 9882, 9961, 9982., Obsolete part                              |
| 49  | (820843) | 2   | Spacer ring      |          | Spec. 9881, 9890. 9919, 9958, 9960., Excl. spec. 9882, 9961, 9982., Obsolete part                              |

## MD100A

| REF | PART NO. | QTY | DESCRIPTION       | SEE SEC. | NOTES  |
|-----|----------|-----|-------------------|----------|--|
| 50  | 421158   | 2   | Sealing ring      |          | Spec. 9881, 9890. 9919, 9958, 9960., Excl. spec. 9882, 9961, 9982.                   |
| 51  | (820847) | 1   | Attaching bracket |          | Spec. 9881, 9890. 9919, 9958, 9960., Excl. spec. 9882, 9961, 9982.,<br>Obsolete part |
| 52  | 955525   | 2   | Hexagon screw     |          | Spec. 9881, 9890. 9919, 9958, 9960., Excl. spec. 9882, 9961, 9982.                   |
| 53  | 941907   | 2   | Spring washer     |          | Spec. 9881, 9890. 9919, 9958, 9960., Excl. spec. 9882, 9961, 9982.                   |
| 54  | 955534   | 1   | Hexagon screw     |          | Spec. 9881, 9890. 9919, 9958, 9960., Excl. spec. 9882, 9961, 9982.                   |
| 55  | 942336   | 1   | Spring washer     |          | Spec. 9881, 9890. 9919, 9958, 9960., Excl. spec. 9882, 9961, 9982.                   |
| 56  | 954335   | 1   | Nipple            |          | Spec. 9881, 9890. 9919, 9958, 9960., Excl. spec. 9882, 9961, 9982.                   |
| 57  | (942347) | 1   | Nipple            |          | Spec. 9881, 9890. 9919, 9958, 9960., Excl. spec. 9882, 9961, 9982.,<br>Obsolete part |
| 58  | 190130   | 1   | Reduction nipple  |          |  |
| 59  | 947893   | 1   | Shut-off cock     |          |  |
| 74  | (842135) | 1   | Oil pipe          |          | Spec. 9881, 9890. 9919, 9958, 9960., MOXXXX/15996-, Obsolete part                    |
| 75  | (947807) | 1   | Nipple, nipple    |          | Spec. 9881, 9890. 9919, 9958, 9960., MOXXXX/15996-, Obsolete part                    |
|     |          |     |                   | 13971    |  |
| 76  | 74040    | 1   | Hollow screw      |          | Spec. 9881, 9890. 9919, 9958, 9960., MOXXXX/15996-                                   |
| 77  | 957175   | 2   | Gasket            |          | Spec. 9881, 9890. 9919, 9958, 9960., MOXXXX/15996-                                   |
| 78  | 190798   | 1   | Plug              |          | MOXXXX/15996-  |
| 104 | 845260   | 1   | Hose attachment   |          |  |