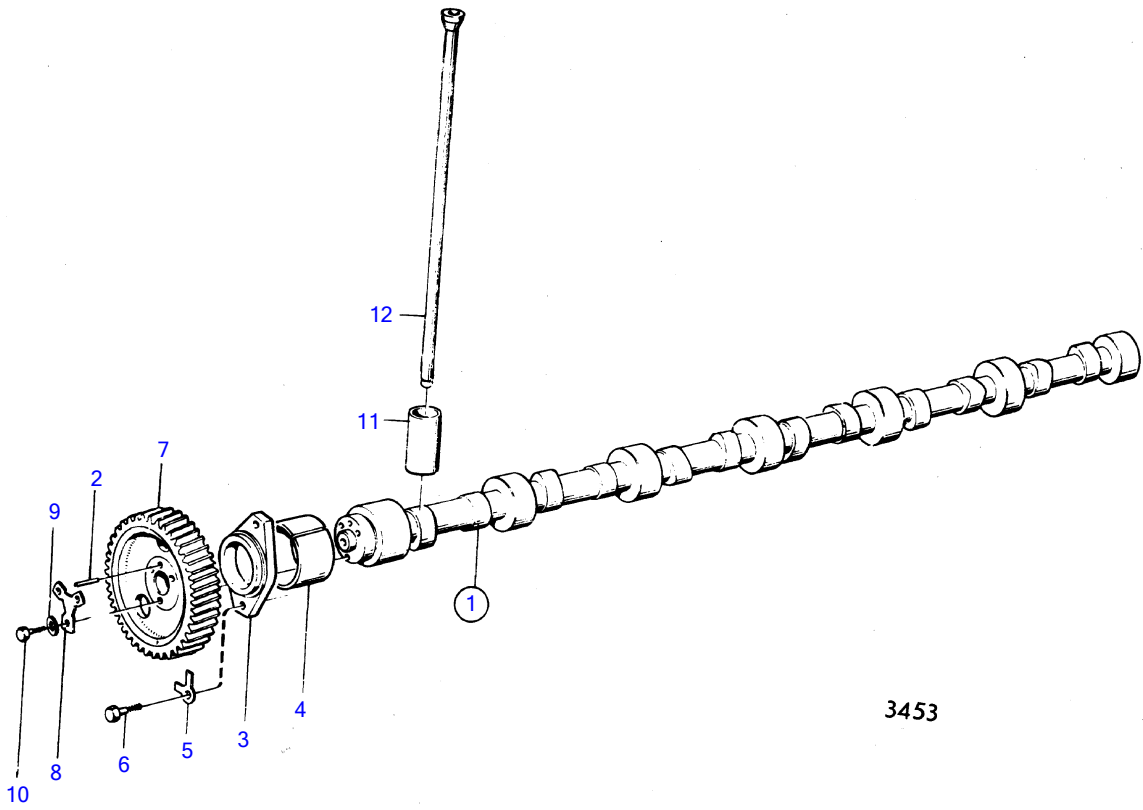


TMD100A



3453

## TMD100A

REF	PART NO.	QTY	DESCRIPTION	SEE SEC.	NOTES
1	467853	1	Camshaft		(422363)
2	950588	1	• Pin	13969	
3	469324	1	Flange		(422031)
4		7	bushing	13963	
5	942336	2	Spring washer		(421167)
6	940115	2	Hexagon screw		
7	423079	1	Gear	13969	
			Bulletin 45-01	45-01-EN	Timing Gears, 71, 100, 121
8	467052	1	Lock washer	13969	
9	467055	3	Washer	13969	
10	940128	3	Hexagon screw	13969	
11	422318	12	Tappet		
12	467820	12	Push rod		