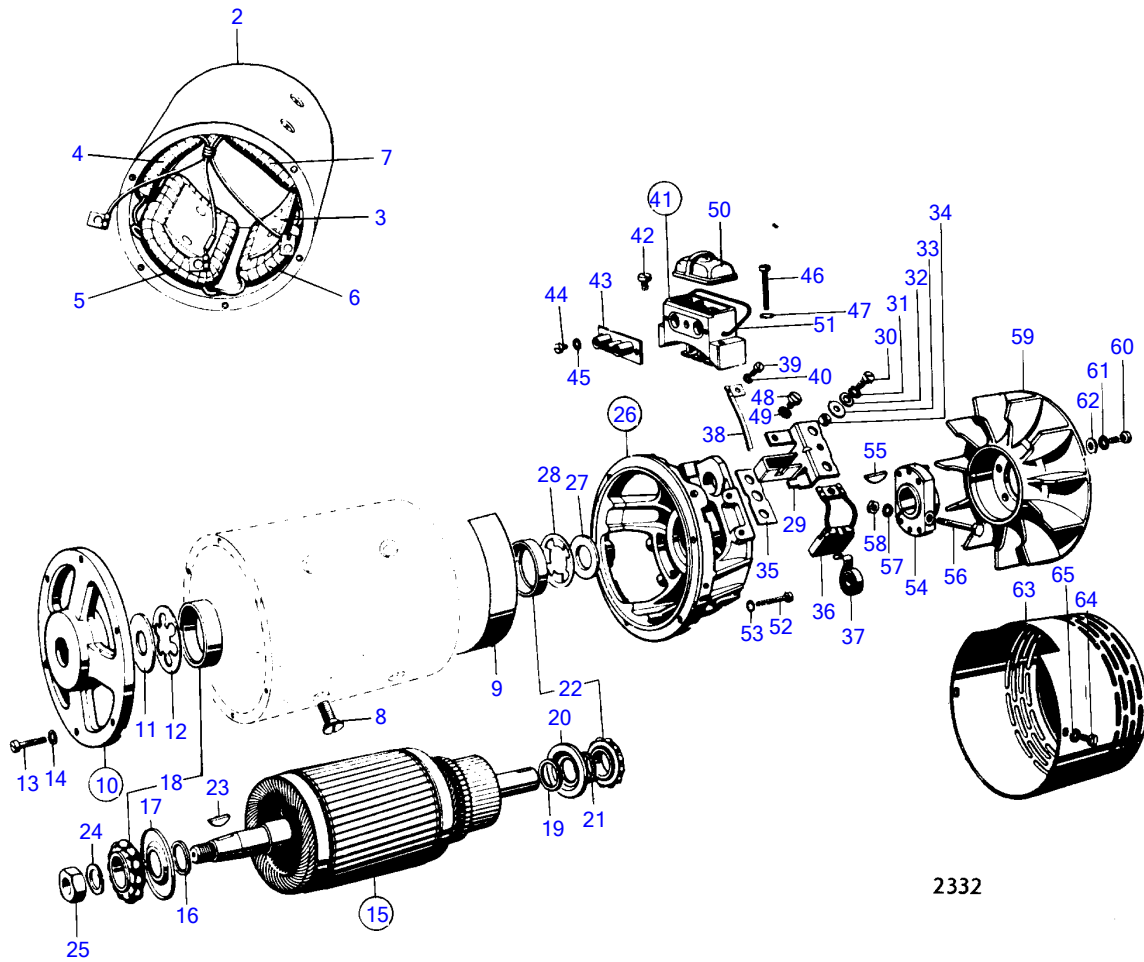


①



REF	PART NO.	QTY	DESCRIPTION	NOTES
1	(77616)	1	Alternator	28V 38A, Obsolete part
2		1	• housing	
3		4	• pole shoe	
4	(77771)	1	• Field winding	Spole-Coil 1, Obsolete part
5	(77772)	1	• Field winding	Spole-Coil 2, Obsolete part
6	(77773)	1	• Field winding	Spole-Coil 3, Obsolete part
7	(77774)	1	• Field winding	Spole-Coil 4, Obsolete part
8	(956116)	8	• Cross recessed screw	Obsolete part
9	(72393)	1	Insulating strip	Obsolete part
10		1	•	
11		1	• •	
12		1	• •	
13	(241147)	6	• Screw	Obsolete part
14	941905	6	• Spring washer	
15		1	•	
16		1	• •	
17	(77793)	1	• • Washer	Obsolete part
18	(181176)	1	• • Ball bearing	Obsolete part
19		1	• •	
20		1	• •	
21	(48228)	X	• • Adjusting washer	TH=0,10mm, Obsolete part
	(48229)	X	• • Adjusting washer	TH=0.15mm, Obsolete part
22	(18535)	1	• • Ball bearing	Obsolete part
23	910115	1	• Woodruff key	
24	941911	1	• Spring washer	
25	955804	1	• Hexagon nut	
26	(77777)	1	• Bearing	Obsolete part
27	(48212)	1	• • Gasket	Obsolete part
28		1	• •	
29	(77778)	1	• • Retainer	+, Obsolete part
	(77779)	1	• • Retainer	+, Obsolete part
	(77780)	1	• • Retainer	Obsolete part
	(77781)	1	• • Retainer	Obsolete part
30	(233173)	8	• • Screw	Obsolete part
31	941905	8	• • Spring washer	
32	(906822)	8	• • Washer	(72247), Obsolete part
33	(120023)	8	• • Insulating washer	Obsolete part
34	(18192)	8	• • Isolation	(243063), Obsolete part
35	(72397)	2	• • Isolation plate	Obsolete part
36	(238038)	1	• • Carbon brush set	Obsolete part
37	(77783)	4	• • Brush spring	Obsolete part
38		1	• • • +brush to d+	
		1	• • • -BRUSH to D-	
39	(870850)	2	• • Screw	Obsolete part
40	941905	2	• • Spring washer	
41	(77787)	1	• • Terminal box	Obsolete part
42	(116435)	3	• • • Screw	Obsolete part
43		1	• • •	
44	956058	2	• • • Cross recessed screw	
45	(241294)	2	• • • Washer	Obsolete part
46	956083	2	• • • Cross recessed screw	
47	941905	2	• • • Spring washer	
48	(870850)	4	• • • Screw	Obsolete part
49	941905	4	• • • Spring washer	
50	(77788)	1	• Cover	Obsolete part
51	(77789)	1	• Brace	Obsolete part
52	956080	5	• Cross recessed screw	
53	941905	5	• Spring washer	
54		1	•	
55	910115	1	• Woodruff key	
56	940101	1	• Hexagon screw	
57	941906	1	• Spring washer	
58	955781	1	• Hexagon nut	

