

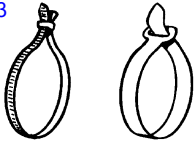


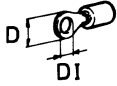
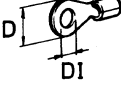
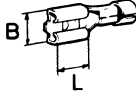
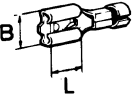
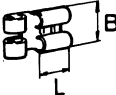
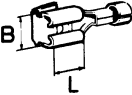
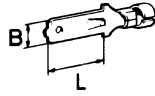
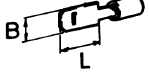

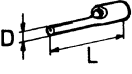
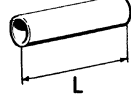
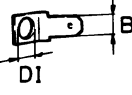



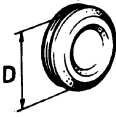



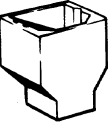
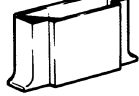
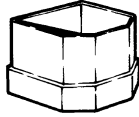




| | | | |
|-------------------------------------------------------------------------------------------|-------------------------------------------------------------------------------------------|-------------------------------------------------------------------------------------------|---------------------------------------------------------------------------------------------|
| 1  | 2  | 3  | 4  |
| 5  | 6  | 7  | 8  |
| 9  | 10  | 11  | 12  |
| 13  | 14  | 15  | 16  |
| 17  | 18  | 19  | 20  |
| 21  | 22  | 24  | 26  |
| | 23  | 25  | 27  |
| 28  | 29  | | |

4852

| REF | PART NO. | QTY | DESCRIPTION | NOTES |
|-----|----------|-----|------------------------------------------------|--------------------------------------|
| 1 | | | cable | |
| | 954443 | X | • Electric cable, 5 sq mm black | |
| | 954444 | X | • Electric cable, 5 sq mm brown | |
| | 954445 | X | • Electric cable, 5 sq mm red | |
| | (954446) | X | • Electric cable, 5 sq mm yellow | Obsolete part |
| | (954447) | X | • Electric cable, 5 sq mm green | Obsolete part |
| | (954448) | X | • Electric cable, 5 sq mm blue | Obsolete part |
| | (954449) | X | • Electric cable, 5 sq mm grey | Obsolete part |
| | (954450) | X | • Electric cable, 5 sq mm ivory | Obsolete part |
| | | X | • 5 sq mm ivory/ red | |
| | (961795) | X | • • Electric cable, 5 sq mm ivory/ blue | Obsolete part |
| | (961797) | X | • • • Electric cable, 5 sq mm green/ red | Obsolete part |
| | (961798) | X | • • • • Electric cable, 5 sq mm grey/blue | Obsolete part |
| | | X | • • • • • 5 sq mm blue/red | |
| | (961800) | X | • • • • • Electric cable, 5 sq mm black/yellow | Obsolete part |
| | 954451 | X | • • • • • • Electric cable, 5 sq mm black | |
| | (954452) | X | • • • • • • Electric cable, 5 sq mm brown | Obsolete part |
| | (954453) | X | • • • • • • Electric cable, 5 sq mm red | Obsolete part |
| | (954455) | X | • • • • • • Electric cable, 5 sq mm green | Obsolete part |
| | (954456) | X | • • • • • • Electric cable, 5 sq mm blue | Obsolete part |
| | (954458) | X | • • • • • • Electric cable, 5 sq mm ivory | Obsolete part |
| | | X | • • • • • • | |
| | 954461 | X | • • • • • • Electric cable | |
| | (954463) | X | • • • • • • Electric cable | Obsolete part |
| | (954464) | X | • • • • • • Electric cable | Obsolete part |
| | (954465) | X | • • • • • • Electric cable | Obsolete part |
| | 954467 | X | • • • • • • Electric cable | |
| | 954469 | X | • • • • • • Electric cable | |
| | (954471) | X | • • • • • • Electric cable | Obsolete part |
| | | X | • • • • • • | |
| | | X | • • • • • • | |
| | | X | • • • • • • | |
| | 954485 | X | • • • • • • Electric cable | |
| | | X | • • • • • • | |
| | (954500) | X | • • • • • • Electric cable | Obsolete part |
| | 954502 | X | • • • • • • Electric cable | |
| | (842092) | X | • • • • • • Cable, 5 sq mm | Spec. 867474, TD70GG., Obsolete part |
| | 846273 | X | • • • • • • Cable, 5 sq mm | Spec. 867474, TD70GG. |
| | (842093) | X | • • • • • • Cable, 5 sq mm | Spec. 867474, TD70GG., Obsolete part |
| | (843084) | X | • • • • • • Cable, 5 sq mm | Spec. 867474, TD70GG., Obsolete part |
| | 842091 | X | • • • • • • Cable, 5 sq mm | Spec. 867474, TD70GG. |
| | 844578 | X | • • • • • • Cable, 5 sq mm | Spec. 867474, TD70GG. |
| | (842090) | X | • • • • • • Cable | Spec. 867474, TD70GG., Obsolete part |
| | (843085) | X | • • • • • • Cable | Spec. 867474, TD70GG., Obsolete part |
| | (846345) | X | • • • • • • Cable, 5 sq mm | Spec. 867474, TD70GG., Obsolete part |
| | 846346 | X | • • • • • • Cable, 5 sq mm | Spec. 867474, TD70GG. |
| 2 | (185501) | X | Hose | D=9mm, i.d=8mm, Obsolete part |
| | (185504) | X | Hose | D=11,5mm, i.d=8mm, Obsolete part |
| | (185506) | X | Hose | D=6mm, i.d=5mm, Obsolete part |
| | (185507) | X | Hose | D=11mm, i.d=10mm, Obsolete part |
| | (185508) | X | Hose | D=16mm, i.d=14mm, Obsolete part |
| | (185509) | X | Outer casing | D=19mm, i.d=15mm, Obsolete part |
| 3 | 948210 | X | • Cable tie | (827353) |
| | (335146) | X | Cable tie | Al, Obsolete part |
| | 948210 | X | • Cable tie | D=20-45mm |
| | 948211 | X | Cable tie | D45-75mm |
| | 949668 | X | Cable tie | D5-100mm |
| 4 | | X | • | |

| REF | PART NO. | QTY | DESCRIPTION | NOTES |
|-----|----------|-----|--------------------------------|------------------------------------------------------------------------------------------------------|
| | 942659 | X | • Terminal block | |
| | 942660 | X | • Terminal block | |
| | (942558) | X | • Terminal block | Obsolete part |
| | (942661) | X | • Terminal block | Obsolete part |
| | (942662) | X | • Terminal block | Obsolete part |
| 5 | 182010 | X | • Coupling piece | Max 15mm ² |
| | 190128 | X | • Coupling piece | Max 15mm ² |
| | 190476 | X | • Coupling piece | Max 20mm ² |
| | (941412) | X | • Coupling piece | Max 20mm ² , Obsolete part |
| 6 | (956924) | X | Cable terminal | Replaced by 1ea 846622 flow switch and 1ea 846632 nipple., I.d=3,7mm D=5,6mm, Obsolete part |
| | 881492 | X | Cable terminal, cable terminal | Acc. to classification., (956928) I.d=4,3mm D=8mm |
| | 881495 | X | Cable terminal, cable terminal | Replaced by late type 845108., (956933) I.d=6,5mm D=11mm |
| | 881496 | X | Cable terminal, cable terminal | Replaced by late type 845108., (956934) I.d=10,5mm D=18mm |
| 7 | 881516 | X | Cable terminal | Replaced by 1ea 846622 flow switch and 1ea 846632 nipple., I.d=3,5mm D=5,5mm |
| | 881492 | X | Cable terminal | Acc. to classification., I.d=4,3mm D=8,7mm |
| | 881493 | X | Cable terminal | Acc. to classification., I.d=5,2mm D=8,7mm |
| | 881508 | X | Cable terminal | Acc. to classification., I.d=6,7mm D=11,9mm |
| | 881494 | X | Cable terminal | Acc. to classification., I.d=8,3mm D=11,9mm |
| | 881504 | X | Cable terminal | Acc. to classification., I.d=10,5mm D=15,9mm |
| | 881506 | X | Cable terminal | Replaced by late type 845108., I.d=4,3mm D=9,5mm |
| | 881495 | X | Cable terminal | Replaced by late type 845108., I.d=5,2mm D=9,5mm |
| | 881496 | X | Cable terminal | Replaced by late type 845108., I.d=6,7mm D=12,7mm |
| | 881497 | X | Cable terminal | Replaced by late type 845108., I.d=8,3mm D=12,7mm |
| | 881498 | X | Cable terminal | Replaced by late type 845108., I.d=10,5mm D=15,4mm |
| | 881500 | X | Cable terminal | AQ200D MO-11576, AQ225D MO-11736, AQ260A MO-11506, AQ290A MO-12259., I.d=5,2mm D=15,9mm |
| | 881501 | X | Cable terminal | AQ200D MO-11576, AQ225D MO-11736, AQ260A MO-11506, AQ290A MO-12259., I.d=6,7mm D=15,9mm |
| | 881502 | X | Cable terminal | AQ200D MO-11576, AQ225D MO-11736, AQ260A MO-11506, AQ290A MO-12259., I.d=8,3mm D=15,9mm |
| | 940337 | X | Cable terminal | AQ200D MO-11576, AQ225D MO-11736, AQ260A MO-11506, AQ290A MO-12259., I.d=10,5mm D=15,9mm |
| | (949591) | X | Cable terminal | State key code when ordering, I.d=4,3mm D=8,0mm, Obsolete part |
| | 881501 | X | Cable terminal, terminal | AQ200D MO 11577-, AQ225D MO 11737-, AQ260A MO 11507-, AQ290A MO12260-., (940335) I.d=6,5mm D=16mm |
| 8 | 881483 | X | Cable terminal | Acc. to classification., L=7,7mm b=7,6mm |
| | 881484 | X | Cable terminal | Replaced by late type 845108., L=7,7mm b=7,6mm |
| 9 | 881485 | X | Cable terminal | Acc. to classification., L=7,7mm b=7,6mm |
| | | X | | Replaced by 1ea 846622 flow switch and 1ea 846632 nipple., L=7,8mm b=7,8mm |
| | 881486 | X | Cable terminal | Replaced by late type 845108., L=7,7mm b=7,6mm |
| | 881484 | X | • Cable terminal, terminal | Replaced by late type 845108., (958201) L=7,8mm b=7,8mm |
| | | X | | Engine with oil supervision in rear oil pan cover., L=7,7mm b=7,6mm |
| 10 | | X | | Replaced by 1ea 846622 flow switch and 1ea 846632 nipple., L=6,2mm b=5,6mm |
| 11 | 881491 | X | Cable terminal | Acc. to classification., L=7,7mm b=7,6mm |
| 12 | 881487 | X | Cable terminal | Acc. to classification., L=15,7mm b=6,3mm |
| | 881488 | X | Cable terminal | Replaced by late type 845108., L=15,7mm b=6,3mm |
| 13 | 881518 | X | Cable terminal | Acc. to classification., L=10,0mm b=6,3mm |
| 14 | (881509) | X | Cable terminal | Acc. to classification., I.d=4,4mm D=9,8mm, Obsolete part |
| | (881505) | X | Cable terminal | Acc. to classification., I.d=5,2mm D=8,7mm, Obsolete part |
| | (881511) | X | Cable terminal | Replaced by late type 845108., I.d=4,4mm D=8,0mm, Obsolete part |
| 15 | 942429 | X | Cable terminal | Acc. to classification., I.d=1,8mm L=14,4mm |
| | | X | | Replaced by late type 845108., D=2,6mm L=20,6mm |

| REF | PART NO. | QTY | DESCRIPTION | NOTES |
|-----|----------|-----|--------------------|-------------------------------------------------------------------|
| 16 | 956956 | X | Splice | Replaced by 1ea 846622 flow switch and 1ea 846632 nipple., L=26mm |
| | 956958 | X | Splice | Acc. to classification., L=26mm |
| | 956960 | X | Splice | Replaced by late type 845108., L=28mm |
| 17 | 829311 | X | Tab | I.d=5,2mm b=6,35mm |
| 18 | 959046 | X | Housing | I.d=9mm |
| 19 | 76614 | X | Rubber collar | |
| | (841234) | X | Rubber collar | Obsolete part |
| 20 | 673580 | X | Adapter | |
| 21 | 941269 | X | Plug | D=25mm |
| 22 | 958213 | X | Housing | |
| 23 | 958212 | X | Housing | |
| 24 | (941104) | X | Housing | Obsolete part |
| 25 | (941105) | X | Housing | Obsolete part |
| 26 | 945830 | X | Housing | |
| 27 | 945831 | X | Tab housing | |
| 28 | 1214948 | X | Housing | |
| 29 | (949181) | X | Receptacle housing | Obsolete part |