

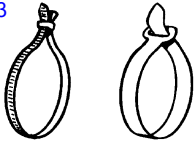


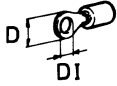
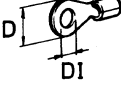
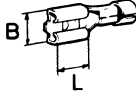
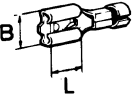
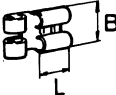
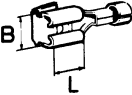
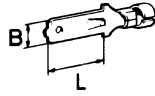
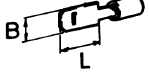

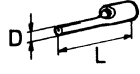
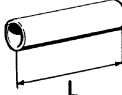
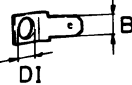



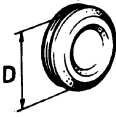



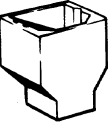
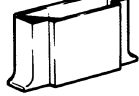
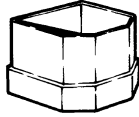




|   |   |   |   |
|---|---|---|---|
| 1<br>    | 2<br>    | 3<br>    | 4<br>    |
| 5<br>    | 6<br>    | 7<br>    | 8<br>    |
| 9<br>    | 10<br>   | 11<br>   | 12<br>   |
| 13<br>  | 14<br>  | 15<br>  | 16<br>  |
| 17<br> | 18<br> | 19<br> | 20<br> |
| 21<br> | 22<br> | 24<br> | 26<br> |
|   | 23<br> | 25<br> | 27<br> |
| 28<br> | 29<br> |   |   |

4852

| REF | PART NO. | QTY | DESCRIPTION                                    | NOTES                                |
|-----|----------|-----|--|--------------------------------------|
| 1   |          |     | cable  |                                      |
|     | 954443   | X   | • Electric cable, 5 sq mm black                |                                      |
|     | 954444   | X   | • Electric cable, 5 sq mm brown                |                                      |
|     | 954445   | X   | • Electric cable, 5 sq mm red                  |                                      |
|     | (954446) | X   | • Electric cable, 5 sq mm yellow               | Obsolete part                        |
|     | (954447) | X   | • Electric cable, 5 sq mm green                | Obsolete part                        |
|     | (954448) | X   | • Electric cable, 5 sq mm blue                 | Obsolete part                        |
|     | (954449) | X   | • Electric cable, 5 sq mm grey                 | Obsolete part                        |
|     | (954450) | X   | • Electric cable, 5 sq mm ivory                | Obsolete part                        |
|     |          | X   | • 5 sq mm ivory/ red                           |                                      |
|     | (961795) | X   | • • Electric cable, 5 sq mm ivory/ blue        | Obsolete part                        |
|     | (961797) | X   | • • • Electric cable, 5 sq mm green/<br>red    | Obsolete part                        |
|     | (961798) | X   | • • • • Electric cable, 5 sq mm grey/blue      | Obsolete part                        |
|     |          | X   | • • • • • 5 sq mm blue/red                     |                                      |
|     | (961800) | X   | • • • • • Electric cable, 5 sq mm black/yellow | Obsolete part                        |
|     | 954451   | X   | • • • • • • Electric cable, 5 sq mm black      |                                      |
|     | (954452) | X   | • • • • • • Electric cable, 5 sq mm brown      | Obsolete part                        |
|     | (954453) | X   | • • • • • • Electric cable, 5 sq mm red        | Obsolete part                        |
|     | (954455) | X   | • • • • • • Electric cable, 5 sq mm green      | Obsolete part                        |
|     | (954456) | X   | • • • • • • Electric cable, 5 sq mm blue       | Obsolete part                        |
|     | (954458) | X   | • • • • • • Electric cable, 5 sq mm ivory      | Obsolete part                        |
|     |          | X   | • • • • • •                                    |                                      |
|     | 954461   | X   | • • • • • • Electric cable                     |                                      |
|     | (954463) | X   | • • • • • • Electric cable                     | Obsolete part                        |
|     | (954464) | X   | • • • • • • Electric cable                     | Obsolete part                        |
|     | (954465) | X   | • • • • • • Electric cable                     | Obsolete part                        |
|     | 954467   | X   | • • • • • • Electric cable                     |                                      |
|     | 954469   | X   | • • • • • • Electric cable                     |                                      |
|     | (954471) | X   | • • • • • • Electric cable                     | Obsolete part                        |
|     |          | X   | • • • • • •                                    |                                      |
|     |          | X   | • • • • • •                                    |                                      |
|     |          | X   | • • • • • •                                    |                                      |
|     | 954485   | X   | • • • • • • Electric cable                     |                                      |
|     |          | X   | • • • • • •                                    |                                      |
|     | (954500) | X   | • • • • • • Electric cable                     | Obsolete part                        |
|     | 954502   | X   | • • • • • • Electric cable                     |                                      |
|     | (842092) | X   | • • • • • • Cable, 5 sq mm                     | Spec. 867474, TD70GG., Obsolete part |
|     | 846273   | X   | • • • • • • Cable, 5 sq mm                     | Spec. 867474, TD70GG.                |
|     | (842093) | X   | • • • • • • Cable, 5 sq mm                     | Spec. 867474, TD70GG., Obsolete part |
|     | (843084) | X   | • • • • • • Cable, 5 sq mm                     | Spec. 867474, TD70GG., Obsolete part |
|     | 842091   | X   | • • • • • • Cable, 5 sq mm                     | Spec. 867474, TD70GG.                |
|     | 844578   | X   | • • • • • • Cable, 5 sq mm                     | Spec. 867474, TD70GG.                |
|     | (842090) | X   | • • • • • • Cable                              | Spec. 867474, TD70GG., Obsolete part |
|     | (843085) | X   | • • • • • • Cable                              | Spec. 867474, TD70GG., Obsolete part |
|     | (846345) | X   | • • • • • • Cable, 5 sq mm                     | Spec. 867474, TD70GG., Obsolete part |
|     | 846346   | X   | • • • • • • Cable, 5 sq mm                     | Spec. 867474, TD70GG.                |
| 2   | (185501) | X   | Hose   | D=9mm, i.d=8mm, Obsolete part        |
|     | (185504) | X   | Hose   | D=11,5mm, i.d=8mm, Obsolete part     |
|     | (185506) | X   | Hose   | D=6mm, i.d=5mm, Obsolete part        |
|     | (185507) | X   | Hose   | D=11mm, i.d=10mm, Obsolete part      |
|     | (185508) | X   | Hose   | D=16mm, i.d=14mm, Obsolete part      |
|     | (185509) | X   | Outer casing                                   | D=19mm, i.d=15mm, Obsolete part      |
| 3   | 948210   | X   | • Cable tie                                    | (827353)                             |
|     | (335146) | X   | Cable tie                                      | Al, Obsolete part                    |
|     | 948210   | X   | • Cable tie                                    | D=20-45mm                            |
|     | 948211   | X   | Cable tie                                      | D45-75mm                             |
|     | 949668   | X   | Cable tie                                      | D5-100mm                             |
| 4   |          | X   | •  |                                      |

| REF | PART NO. | QTY | DESCRIPTION                    | NOTES  |
|-----|----------|-----|--------------------------------|--|
|     | 942659   | X   | • Terminal block               |  |
|     | 942660   | X   | • Terminal block               |  |
|     | (942558) | X   | • Terminal block               | Obsolete part  |
|     | (942661) | X   | • Terminal block               | Obsolete part  |
|     | (942662) | X   | • Terminal block               | Obsolete part  |
| 5   | 182010   | X   | • Coupling piece               | Max 15mm <sup>2</sup>  |
|     | 190128   | X   | • Coupling piece               | Max 15mm <sup>2</sup>  |
|     | 190476   | X   | • Coupling piece               | Max 20mm <sup>2</sup>  |
|     | (941412) | X   | • Coupling piece               | Max 20mm <sup>2</sup> , Obsolete part  |
| 6   | (956924) | X   | Cable terminal                 | Replaced by 1ea 846622 flow switch and 1ea 846632 nipple., I.d=3,7mm D=5,6mm, Obsolete part          |
|     | 881492   | X   | Cable terminal, cable terminal | Acc. to classification., (956928)<br>I.d=4,3mm D=8mm   |
|     | 881495   | X   | Cable terminal, cable terminal | Replaced by late type 845108., (956933)<br>I.d=6,5mm D=11mm  |
|     | 881496   | X   | Cable terminal, cable terminal | Replaced by late type 845108., (956934)<br>I.d=10,5mm D=18mm   |
| 7   | 881516   | X   | Cable terminal                 | Replaced by 1ea 846622 flow switch and 1ea 846632 nipple., I.d=3,5mm D=5,5mm                         |
|     | 881492   | X   | Cable terminal                 | Acc. to classification., I.d=4,3mm D=8,7mm   |
|     | 881493   | X   | Cable terminal                 | Acc. to classification., I.d=5,2mm D=8,7mm   |
|     | 881508   | X   | Cable terminal                 | Acc. to classification., I.d=6,7mm D=11,9mm  |
|     | 881494   | X   | Cable terminal                 | Acc. to classification., I.d=8,3mm D=11,9mm  |
|     | 881504   | X   | Cable terminal                 | Acc. to classification., I.d=10,5mm D=15,9mm   |
|     | 881506   | X   | Cable terminal                 | Replaced by late type 845108., I.d=4,3mm D=9,5mm   |
|     | 881495   | X   | Cable terminal                 | Replaced by late type 845108., I.d=5,2mm D=9,5mm   |
|     | 881496   | X   | Cable terminal                 | Replaced by late type 845108., I.d=6,7mm D=12,7mm  |
|     | 881497   | X   | Cable terminal                 | Replaced by late type 845108., I.d=8,3mm D=12,7mm  |
|     | 881498   | X   | Cable terminal                 | Replaced by late type 845108., I.d=10,5mm D=15,4mm   |
|     | 881500   | X   | Cable terminal                 | AQ200D MO-11576, AQ225D MO-11736, AQ260A MO-11506, AQ290A MO-12259., I.d=5,2mm D=15,9mm              |
|     | 881501   | X   | Cable terminal                 | AQ200D MO-11576, AQ225D MO-11736, AQ260A MO-11506, AQ290A MO-12259., I.d=6,7mm D=15,9mm              |
|     | 881502   | X   | Cable terminal                 | AQ200D MO-11576, AQ225D MO-11736, AQ260A MO-11506, AQ290A MO-12259., I.d=8,3mm D=15,9mm              |
|     | 940337   | X   | Cable terminal                 | AQ200D MO-11576, AQ225D MO-11736, AQ260A MO-11506, AQ290A MO-12259., I.d=10,5mm D=15,9mm             |
|     | (949591) | X   | Cable terminal                 | State key code when ordering, I.d=4,3mm D=8,0mm, Obsolete part                                       |
|     | 881501   | X   | Cable terminal, terminal       | AQ200D MO 11577-, AQ225D MO 11737-, AQ260A MO 11507-, AQ290A MO12260-., (940335)<br>I.d=6,5mm D=16mm |
| 8   | 881483   | X   | Cable terminal                 | Acc. to classification., L=7,7mm b=7,6mm   |
|     | 881484   | X   | Cable terminal                 | Replaced by late type 845108., L=7,7mm b=7,6mm   |
| 9   | 881485   | X   | Cable terminal                 | Acc. to classification., L=7,7mm b=7,6mm   |
|     |          | X   |                                | Replaced by 1ea 846622 flow switch and 1ea 846632 nipple., L=7,8mm b=7,8mm                           |
|     | 881486   | X   | Cable terminal                 | Replaced by late type 845108., L=7,7mm b=7,6mm   |
|     | 881484   | X   | • Cable terminal, terminal     | Replaced by late type 845108., (958201)<br>L=7,8mm b=7,8mm   |
|     |          | X   |                                | Engine with oil supervision in rear oil pan cover., L=7,7mm b=7,6mm                                  |
| 10  |          | X   |                                | Replaced by 1ea 846622 flow switch and 1ea 846632 nipple., L=6,2mm b=5,6mm                           |
| 11  | 881491   | X   | Cable terminal                 | Acc. to classification., L=7,7mm b=7,6mm   |
| 12  | 881487   | X   | Cable terminal                 | Acc. to classification., L=15,7mm b=6,3mm  |
|     | 881488   | X   | Cable terminal                 | Replaced by late type 845108., L=15,7mm b=6,3mm  |
| 13  | 881518   | X   | Cable terminal                 | Acc. to classification., L=10,0mm b=6,3mm  |
| 14  | (881509) | X   | Cable terminal                 | Acc. to classification., I.d=4,4mm D=9,8mm, Obsolete part  |
|     | (881505) | X   | Cable terminal                 | Acc. to classification., I.d=5,2mm D=8,7mm, Obsolete part  |
|     | (881511) | X   | Cable terminal                 | Replaced by late type 845108., I.d=4,4mm D=8,0mm, Obsolete part                                      |
| 15  | 942429   | X   | Cable terminal                 | Acc. to classification., I.d=1,8mm L=14,4mm  |
|     |          | X   |                                | Replaced by late type 845108., D=2,6mm L=20,6mm  |

| REF | PART NO. | QTY | DESCRIPTION        | NOTES   |
|-----|----------|-----|--------------------|---|
| 16  | 956956   | X   | Splice             | Replaced by 1ea 846622 flow switch and 1ea 846632 nipple., L=26mm |
|     | 956958   | X   | Splice             | Acc. to classification., L=26mm                                   |
|     | 956960   | X   | Splice             | Replaced by late type 845108., L=28mm                             |
| 17  | 829311   | X   | Tab                | I.d=5,2mm b=6,35mm  |
| 18  | 959046   | X   | Housing            | I.d=9mm   |
| 19  | 76614    | X   | Rubber collar      |   |
|     | (841234) | X   | Rubber collar      | Obsolete part   |
| 20  | 673580   | X   | Adapter            |   |
| 21  | 941269   | X   | Plug               | D=25mm  |
| 22  | 958213   | X   | Housing            |   |
| 23  | 958212   | X   | Housing            |   |
| 24  | (941104) | X   | Housing            | Obsolete part   |
| 25  | (941105) | X   | Housing            | Obsolete part   |
| 26  | 945830   | X   | Housing            |   |
| 27  | 945831   | X   | Tab housing        |   |
| 28  | 1214948  | X   | Housing            |   |
| 29  | (949181) | X   | Receptacle housing | Obsolete part   |