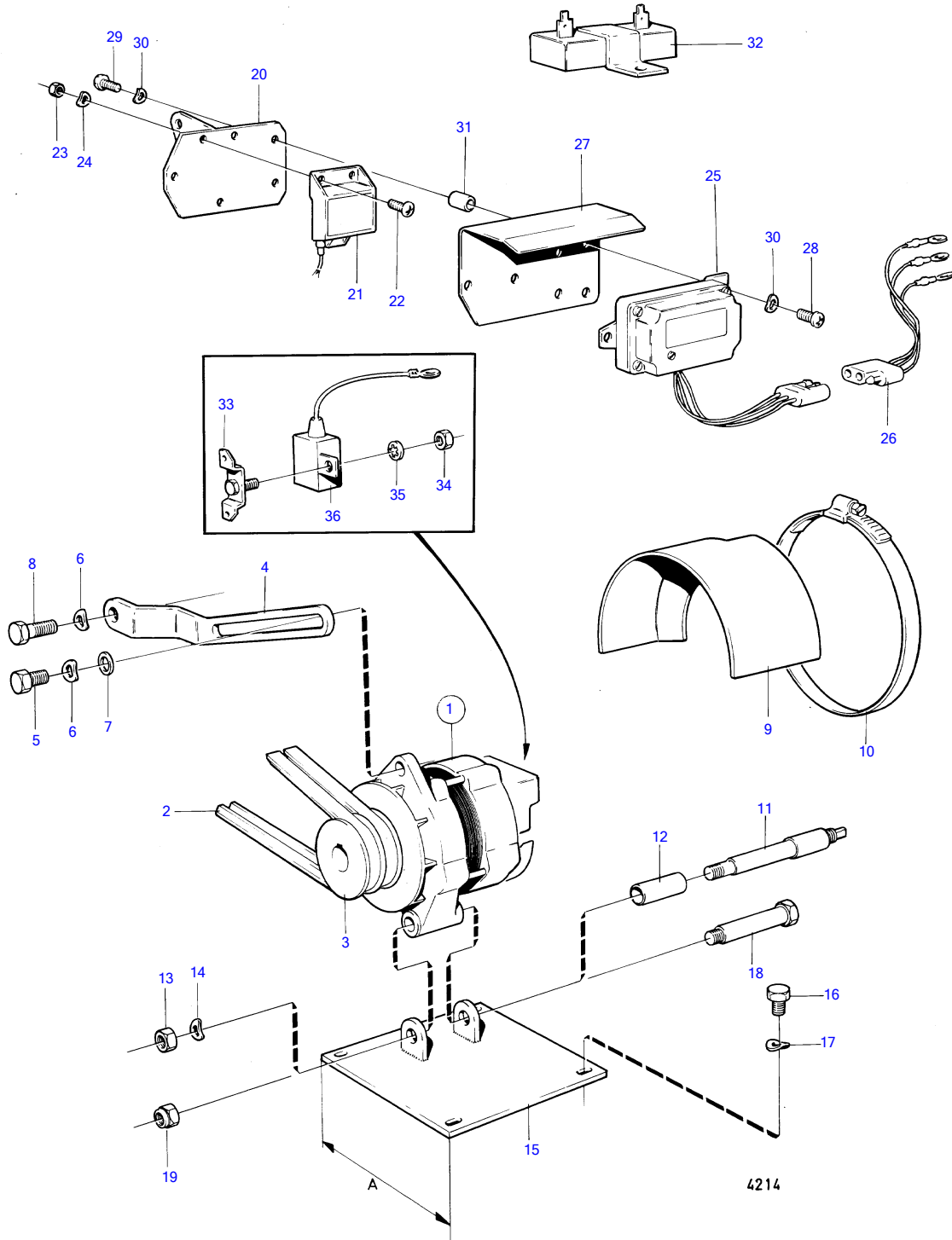


MD100A, MD100B



MD100A, MD100B

REF	PART NO.	QTY	DESCRIPTION	SEE SEC.	NOTES
1		1			28V 70A, 32V 70A
			.	14019	
2	958357	1	V-belt		
3	(822710)	1	Pulley		Obsolete part
4	(822582)	1	Tensioner		Obsolete part
5	940115	1	Hexagon screw		
6	942336	2	Spring washer		
7	940097	1	Washer		
8	955536	1	Hexagon screw		
9		1			
10	942921	1	Hose clamp		
11	(820702)	1	Shaft		MO 15712-19205., Early type, Obsolete part
12	912151	1	Spacer ring		MO 15712-19205., Early type
13	940157	2	Hexagon nut		MO 15712-19205., Early type
14	942336	2	Spring washer		MO 15712-19205., Early type
15		1	bracket		Replaced by 841729., Early type A=70mm
	823935	1	Bracket		Late type A=135mm
16	940135	4	Hexagon screw		
17	941907	4	Spring washer		
18	(822581)	1	Screw		Obsolete part
19	950355	1	Lock nut		
20	(821425)	1	Bracket		Obsolete part
21	823272	1	Charge regulator		24V 70A
22	(950033)	3	Cross recessed screw		Obsolete part
23	(940145)	3	Hexagon nut		Obsolete part
24	941906	3	Spring washer		
25	827595	1	Governor		32V 70A
26	(820848)	1	Wiring harness		Obsolete part
27	(821812)	1	Protecting plate		Obsolete part
28	956092	3	Cross recessed screw		
29	956091	3	Cross recessed screw		
30	941906	6	Spring washer		
31	899709	2	Vibration damper		
32	(820645)	1	Field resistance		32V, Obsolete part
33	(822029)	1	Brace		Obsolete part
34	955825	1	Hexagon nut		
35	940155	1	Toothed washer		
36	(238154)	1	Capacitor		Obsolete part
	(239949)	2	Capacitor		Obsolete part