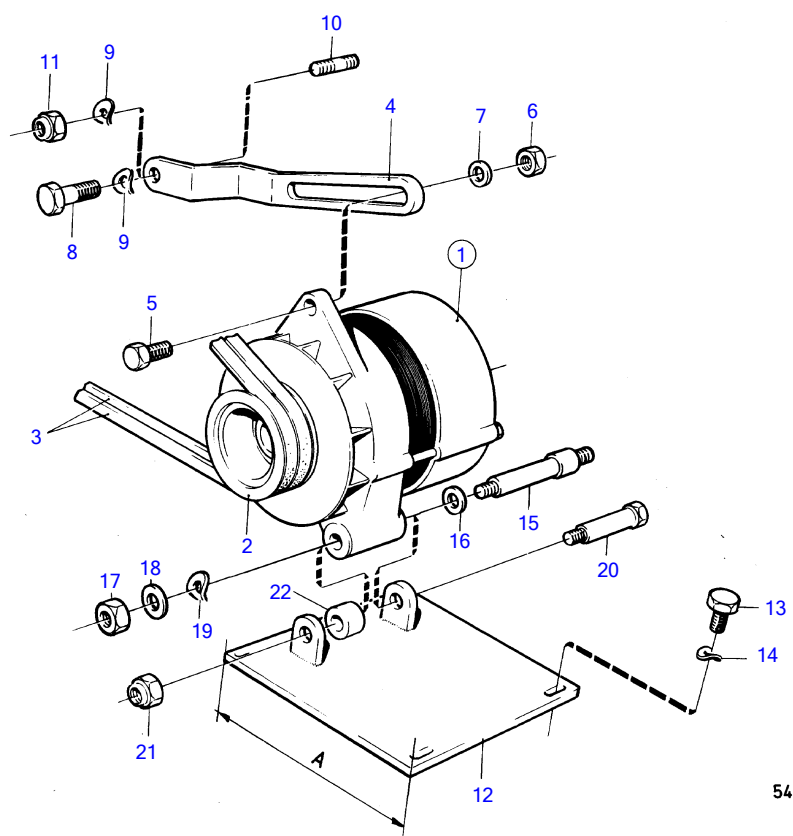
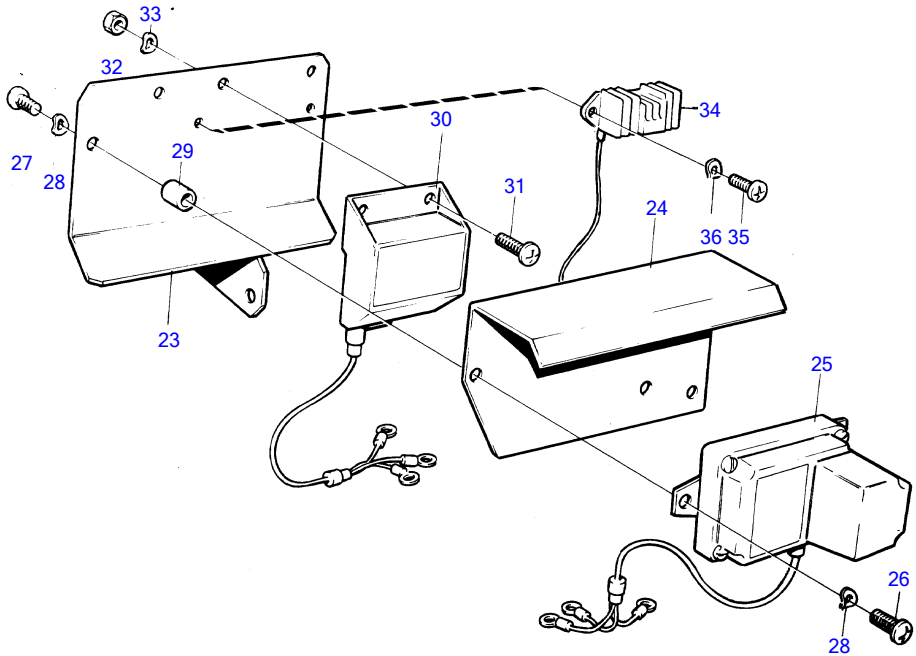


MD100A, TMD100A, TMD100AK, TMD100A-CC, MD100B, MD100BK, MD100B-CC



5449

MD100A, TMD100A, TMD100AK, TMD100A-CC, MD100B, MD100BK, MD100B-CC

REF	PART NO.	QTY	DESCRIPTION	SEE SEC.	NOTES
1	(827348)	1	Alternator		14V 38A, Obsolete part
			.	14016	
	820652	1	Pulley		Replaced by 841069., 28V 25A, early type
			.	14017	
	827349	1	Alternator		28V 25A
			.	14016	
2	820459	1	Pulley		Early type
	822573	1	Pulley		
3	958307	1	V-belt		Early type
	958357	1	V-belt		
4	(401163)	1	Tensioner		Obsolete part, Early type
	836348	1	Tensioner		
5	940186	1	Hexagon screw		Early type
	940161	1	Hexagon screw		
6	955826	1	Hexagon nut		Early type
	950353	1	Lock nut		
7	191172	1	Washer		
8	955536	1	Hexagon screw		
9	942336	1	Spring washer		
10		1			Early type
11	955826	1	Hexagon nut		Early type
12		1	bracket		Replaced by 841729., Early type, A=70mm
	823935	1	Bracket		A=135mm
13	940135	4	Hexagon screw		
14	941907	4	Spring washer		
15	(820700)	1	Shaft		Obsolete part, MO 15712-19205., Early type
16	(18634)	1	Washer		Obsolete part, MO 15712-19205., Early type
17	940157	2	Hexagon nut		MO 15712-19205., Early type
18	941909	2	Spring washer		MO 15712-19205., Early type
19	955896	2	Washer		MO 15712-19205., Early type
20	822580	1	Screw		
21	950355	1	Lock nut		
22	912151	1	Spacer ring		
23	(821425)	1	Bracket		Obsolete part
24	(823649)	1	Protecting plate		Obsolete part
25	(845972)	1	Stop dog		Obsolete part, 24V 25A (823480)
26	956092	3	Cross recessed screw		
27	956091	3	Cross recessed screw		
28	941906	6	Spring washer		
29	899709	3	Vibration damper		
30		1	charging relay		12V 38A, MO-XXXX/26391
					Repl by 843547
31	(950033)	3	Cross recessed screw		Obsolete part
32	(940145)	3	Hexagon nut		Obsolete part
33	941906	3	Spring washer		
34	843547	1	Governor		12V 38A, MOXXXX/26392-
35	956076	2	Cross recessed screw		
36	941907	2	Spring washer		