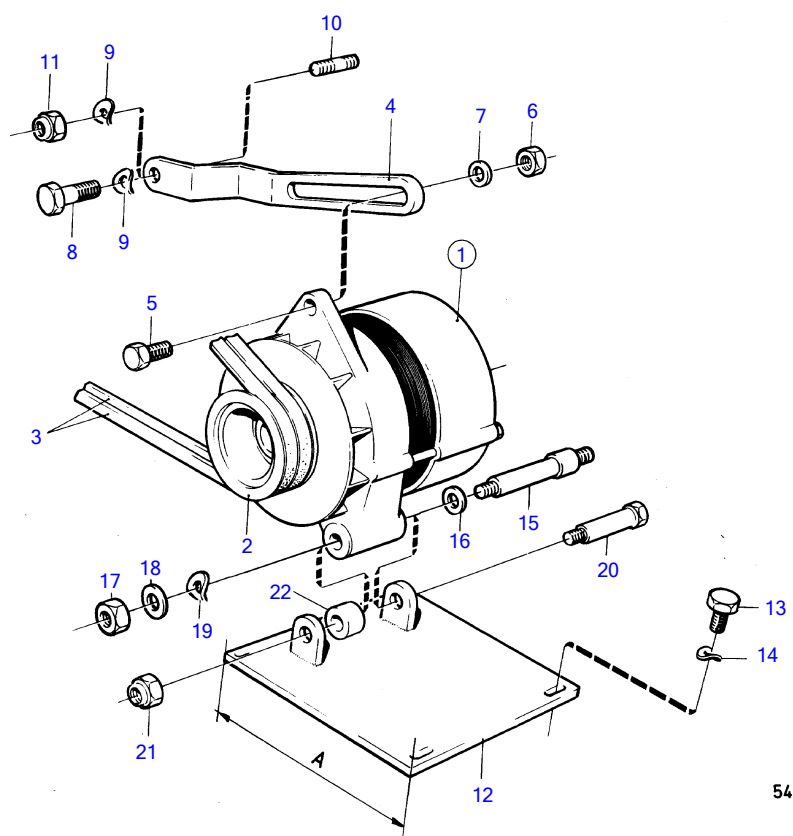
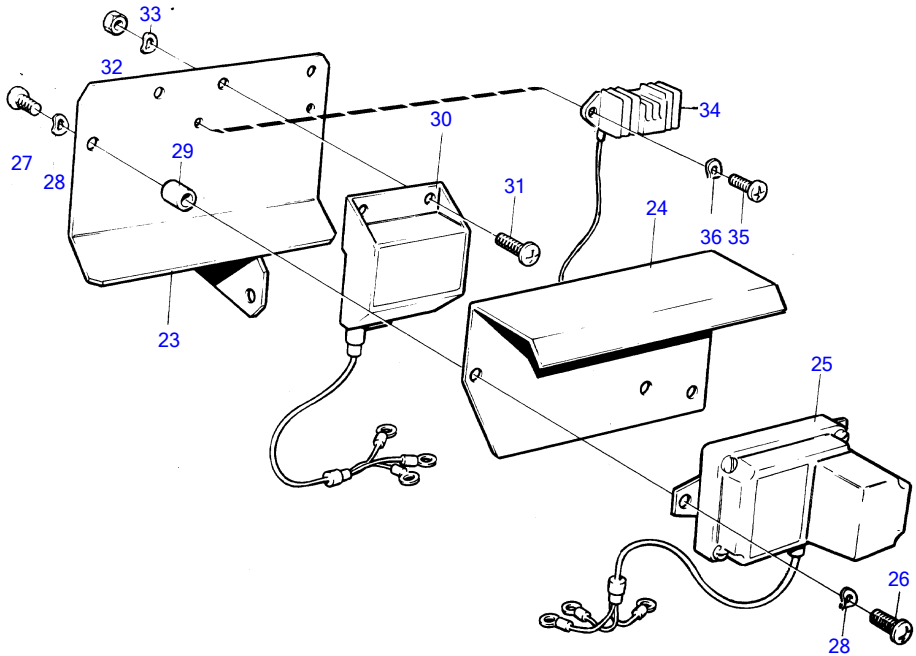


MD100A, TMD100A, TMD100AK, TMD100A-CC, MD100B, MD100BK, MD100B-CC



5449

MD100A, TMD100A, TMD100AK, TMD100A-CC, MD100B, MD100BK, MD100B-CC

| REF | PART NO. | QTY | DESCRIPTION          | SEE SEC. | NOTES                                      |
|-----|----------|-----|----------------------|----------|--|
| 1   | (827348) | 1   | Alternator           |          | 14V 38A, Obsolete part                     |
|     |          |     | .                    | 14016    |  |
|     | 820652   | 1   | Pulley               |          | Replaced by 841069., 28V 25A, early type   |
|     |          |     | .                    | 14017    |  |
|     | 827349   | 1   | Alternator           |          | 28V 25A                                    |
|     |          |     | .                    | 14016    |  |
| 2   | 820459   | 1   | Pulley               |          | Early type                                 |
|     | 822573   | 1   | Pulley               |          |  |
| 3   | 958307   | 1   | V-belt               |          | Early type                                 |
|     | 958357   | 1   | V-belt               |          |  |
| 4   | (401163) | 1   | Tensioner            |          | Obsolete part, Early type                  |
|     | 836348   | 1   | Tensioner            |          |  |
| 5   | 940186   | 1   | Hexagon screw        |          | Early type                                 |
|     | 940161   | 1   | Hexagon screw        |          |  |
| 6   | 955826   | 1   | Hexagon nut          |          | Early type                                 |
|     | 950353   | 1   | Lock nut             |          |  |
| 7   | 191172   | 1   | Washer               |          |  |
| 8   | 955536   | 1   | Hexagon screw        |          |  |
| 9   | 942336   | 1   | Spring washer        |          |  |
| 10  |          | 1   |                      |          | Early type                                 |
| 11  | 955826   | 1   | Hexagon nut          |          | Early type                                 |
| 12  |          | 1   | bracket              |          | Replaced by 841729., Early type, A=70mm    |
|     | 823935   | 1   | Bracket              |          | A=135mm                                    |
| 13  | 940135   | 4   | Hexagon screw        |          |  |
| 14  | 941907   | 4   | Spring washer        |          |  |
| 15  | (820700) | 1   | Shaft                |          | Obsolete part, MO 15712-19205., Early type |
| 16  | (18634)  | 1   | Washer               |          | Obsolete part, MO 15712-19205., Early type |
| 17  | 940157   | 2   | Hexagon nut          |          | MO 15712-19205., Early type                |
| 18  | 941909   | 2   | Spring washer        |          | MO 15712-19205., Early type                |
| 19  | 955896   | 2   | Washer               |          | MO 15712-19205., Early type                |
| 20  | 822580   | 1   | Screw                |          |  |
| 21  | 950355   | 1   | Lock nut             |          |  |
| 22  | 912151   | 1   | Spacer ring          |          |  |
| 23  | (821425) | 1   | Bracket              |          | Obsolete part                              |
| 24  | (823649) | 1   | Protecting plate     |          | Obsolete part                              |
| 25  | (845972) | 1   | Stop dog             |          | Obsolete part, 24V 25A (823480)            |
| 26  | 956092   | 3   | Cross recessed screw |          |  |
| 27  | 956091   | 3   | Cross recessed screw |          |  |
| 28  | 941906   | 6   | Spring washer        |          |  |
| 29  | 899709   | 3   | Vibration damper     |          |  |
| 30  |          | 1   | charging relay       |          | 12V 38A, MO-XXXX/26391                     |
|     |          |     |                      |          | Repl by 843547                             |
| 31  | (950033) | 3   | Cross recessed screw |          | Obsolete part                              |
| 32  | (940145) | 3   | Hexagon nut          |          | Obsolete part                              |
| 33  | 941906   | 3   | Spring washer        |          |  |
| 34  | 843547   | 1   | Governor             |          | 12V 38A, MOXXXX/26392-                     |
| 35  | 956076   | 2   | Cross recessed screw |          |  |
| 36  | 941907   | 2   | Spring washer        |          |  |