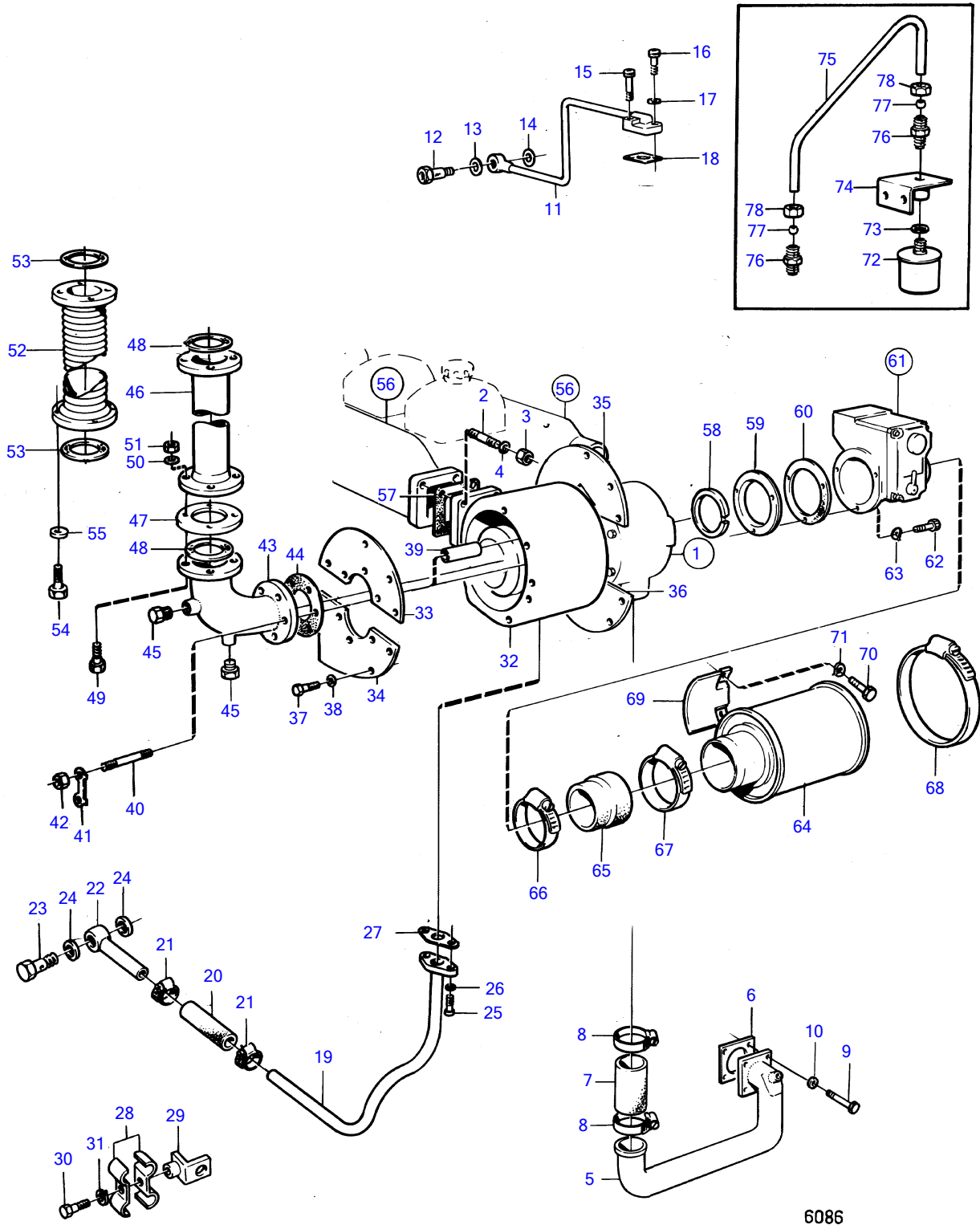


TMD100A



6086

TMD100A

REF	PART NO.	QTY	DESCRIPTION	SEE SEC.	NOTES
1	837455	1	Turbocharger		
			.	13977	
2	953261	4	Stud		
3	943152	4	Nut		
4	942336	4	Spring washer		
5	(837561)	1	Connection pipe		Obsolete part
6	466271	1	Gasket		
7	952986	X	Hose		L=60mm
8	943482	2	Hose clamp		
9	956570	4	Hex. socket screw		
10	941907	4	Spring washer		
11	(823543)	1	Tube		Obsolete part
12	942589	1	Hollow screw		
13	942703	1	Gasket		
14	957181	1	Gasket		
15	956585	1	Hex. socket screw		
16	956584	1	Hex. socket screw		
17	942336	2	Spring washer		
18	417378	1	Gasket		D42A PP spec. 16053, 867638.
19	(823544)	1	Oil return pipe		Obsolete part
20	192358	X	Hose		L=90mm
21	943474	2	Hose clamp		
22	(896780)	1	Tube		Obsolete part
23	191929	1	Hollow screw		
24	957185	2	Gasket		
25	940115	2	Hexagon screw		
26	942336	2	Spring washer		
27	417381	1	Gasket		D42A PP spec. 16053, 867638.
28	820851	2	Clamp		
29	(820853)	1	Bracket		Obsolete part
30	940100	1	Hexagon screw		
31	941906	1	Spring washer		
32	(823352)	1	Heat shield		Obsolete part
33	(823241)	1	Protecting plate		Obsolete part
34	(823242)	1	Protecting plate		Obsolete part
35	(823243)	1	Protecting plate		Obsolete part
36	(823244)	1	Protecting plate		Obsolete part
37	940113	20	Hexagon screw		
38	941907	20	Spring washer		
39	820916	6	Spacer sleeve		
40	953272	6	Stud		
41	15193	3	Tab washer		
42	943152	6	Nut		
43	(823336)	1	Exhaust riser		Obsolete part
44	411710	1	Gasket		
45	192154	2	Plug		
46	820900	1	Exhaust hose		L=590mm
47	807625	1	Flange		
48	807578	2	Gasket		
49	955592	4	Hexagon screw		
50	941912	4	Spring washer		
51	955829	4	Hexagon nut		
52	(843087)	1	Compensator		L=85mm, Obsolete part
	843088		Compensator		L=185mm
53	807578	2	Gasket		
54	955365	8	Hexagon screw		
55	941912	8	Spring washer		
56		1	induction and exhaust manifold with installation components	13975	
57	417382	1	Gasket		D42A PP spec. 16053, 867638.
58	843703	1	Tensioning ring		Spec. 867132 alt, D70BK alt.
59	843704	1	Attaching ring		Spec. 867132 alt, D70BK alt.

7742120-26-13987

6086

Upd:2011-03-01

MD100A, TMD100A, TMD100AK, TMD100A-CC, MD100B, MD100BK, MD100B-CC

VOLVO
PENTA

TMD100A

REF	PART NO.	QTY	DESCRIPTION	SEE SEC.	NOTES
60	843718	1	Gasket		Spec. 867132 alt, D70BK alt.
61			emergency stop		See group 3
62	959223	2	Hex. socket screw		Spec. 867132 alt, D70BK alt., L=30mm
	959233	1	Hex. socket screw		Spec. 867132 alt, D70BK alt., L=80mm
63	941907	3	Spring washer		Spec. 867132 alt, D70BK alt.
64	842280	1	Air filter		
65	843409	1	Fitting		
66	943483	1	Hose clamp		
67	943484	1	Hose clamp		
68	942921	1	Hose clamp		
69	(843431)	1	Bracket		Obsolete part
70	955512	2	Hexagon screw		
71	941906	2	Spring washer		
72	837782	1	Pressure sensor		See group 3
73	957181	1	Gasket		See group 3
74	843698	1	Bracket		
75	(843700)	1	Tube		Obsolete part
76	954379	2	Nipple		
77	954365	2	Fitting		
78	954357	2	Fitting nut		