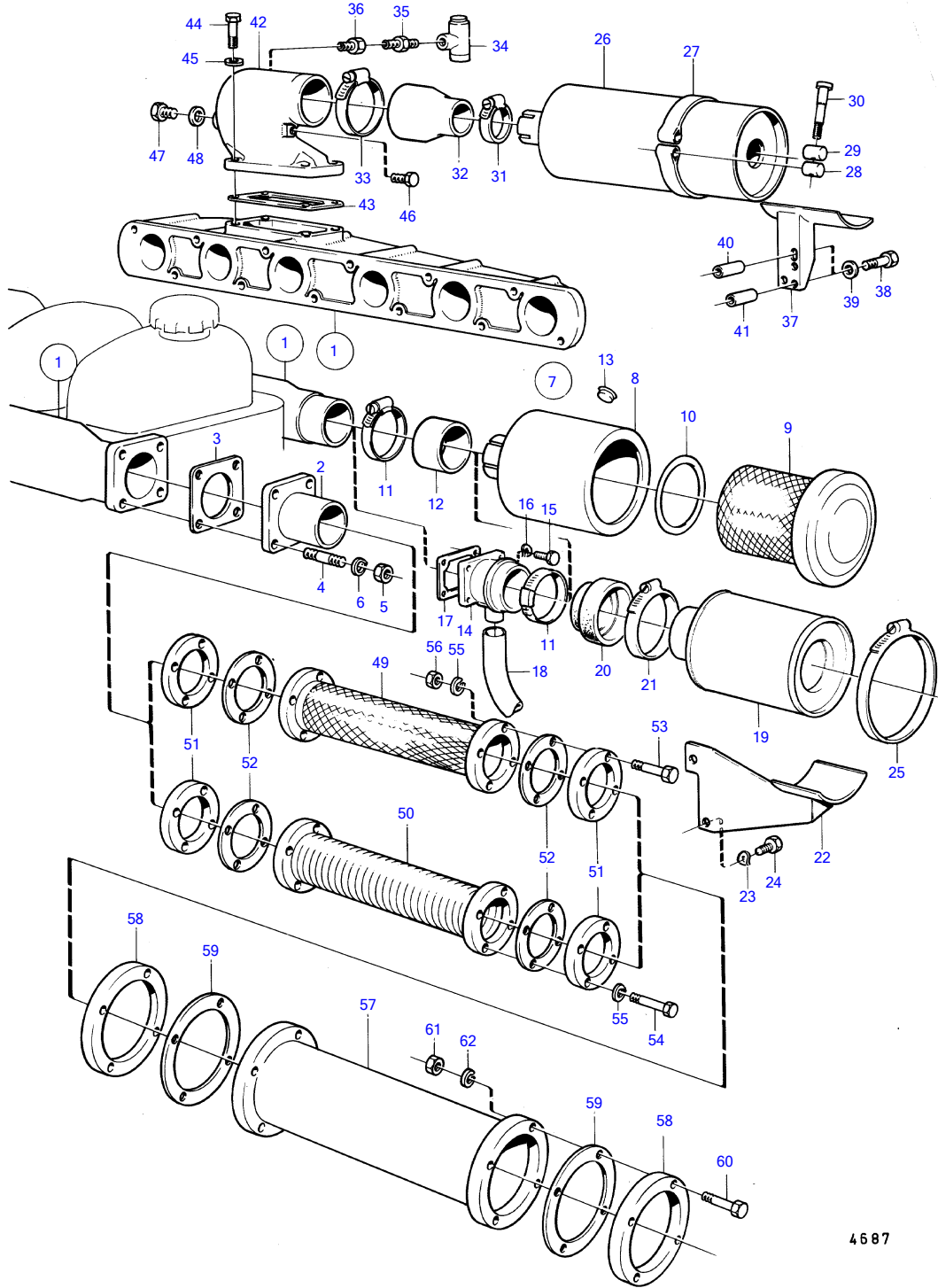


MD100A



4687

MD100A

REF	PART NO.	QTY	DESCRIPTION	SEE SEC.	NOTES
1		1	induction and exhaust manifold with installation components	13975	
2	(820786)	1	Exhaust pipe flange		Obsolete part
3	820785	1	Gasket		
4	953261	4	Stud		
5	943152	4	Nut		
6	940097	4	Washer		
7	(821369)	1	Air filter		MO-97897/XXXX, Obsolete part
8		1	• housing		
9	820655	1	• Insert		
10	(820656)	1	• Gasket		Obsolete part
11	943481	1	Hose clamp		MO-97897/XXXX
	943483	1	Hose clamp		MO97898/XXXX-
12	(820878)	1	Gasket		MO-68421/XXXX, Obsolete part
13	662620	1	Rubber button		MO-68421/XXXX
	662620	2	Rubber button, rubber stud		MO68422/XXXX- - - MO-97897/XXXX
14	(837567)	1	Flange, flange		MO68422/XXXX- -, Obsolete part - MO-97897/XXXX
	(843414)	1	Flange		MO97898/XXXX-, Obsolete part
15	956570	4	Hex. socket screw		MO68422/XXXX-
16	941907	4	Spring washer		MO68422/XXXX-
17	466271	1	Gasket		MO68422/XXXX-
18	952973	X	Hose, hose		L=65mm, see group 2A MO68422/XXXX-
19	842280	1	Air filter		MO97898/XXXX-
20	843409	1	Fitting		MO97898/XXXX-
21	943484	1	Hose clamp		MO97898/XXXX-
22	(843415)	1	Bracket		MO97898/XXXX-, Obsolete part
23	940280	2	Spring washer		MO97898/XXXX-
24	955560	2	Hexagon screw		MO97898/XXXX-
25	942921	1	Hose clamp		MO97898/XXXX-
38				13975	
50			compensator		Water pump shaft length=203mm., L=85mm, early type
	(843087)		Compensator		L=85mm, late type, Obsolete part
			compensator		Spec.9969, 867113., L=185mm, early type
	843088		Compensator		L=185mm, late type
51	820905	2	Flange		
52	807578	2	Gasket		
53	(955593)	8	Hexagon screw		Obsolete part
54	955591	8	Hexagon screw		Early type
	955365	8	Hexagon screw		Late type
55	941912	8	Spring washer		
56	955829	8	Hexagon nut		