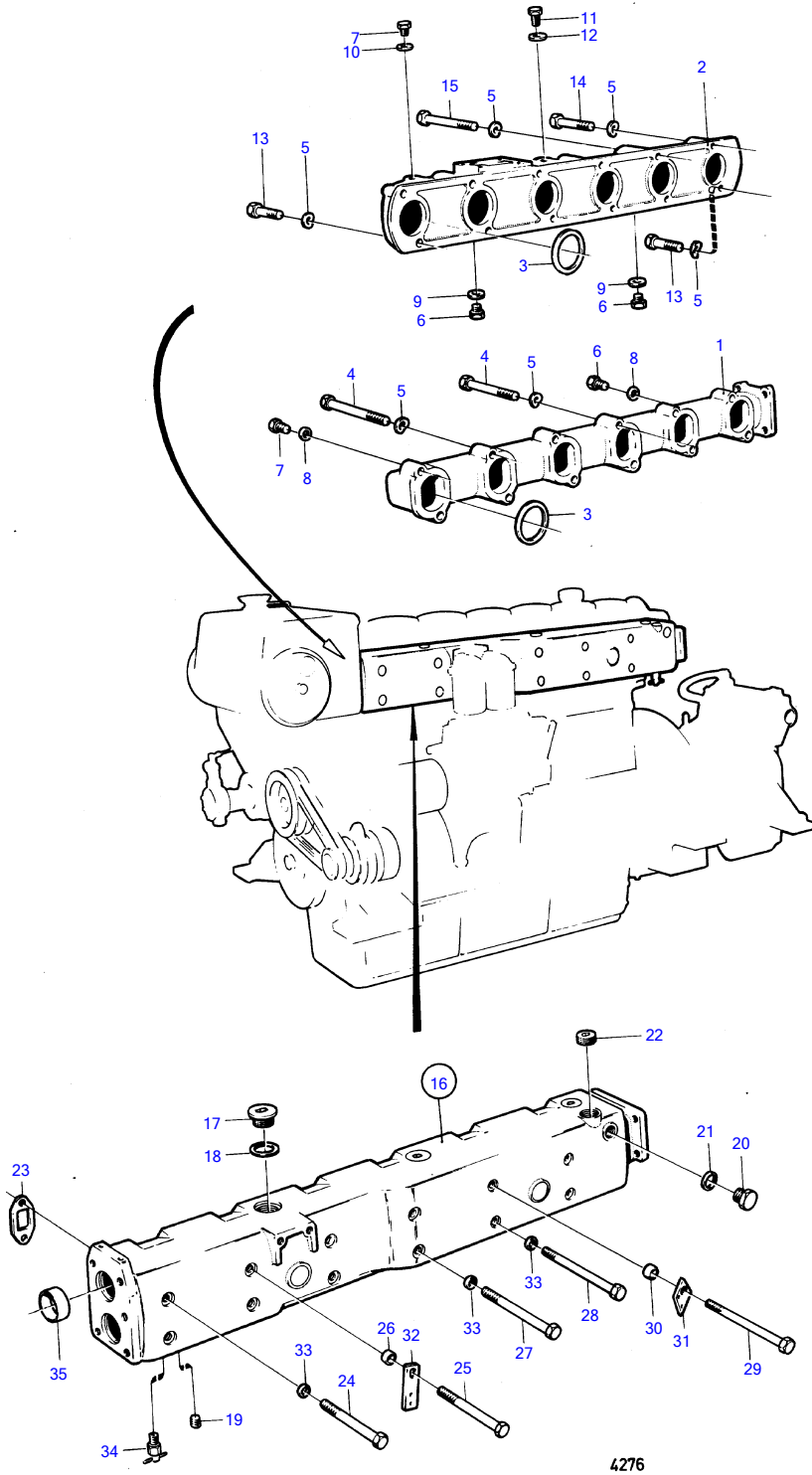


MD100A



MD100A

REF	PART NO.	QTY	DESCRIPTION	SEE SEC.	NOTES
1	(424010)	1	Inlet pipe		MO-65138/XXXX, Obsolete part
3	422174	6	Rubber ring		
4	955529	12	Hexagon screw		
5	941907	12	Spring washer		
6	180707	2	Plug		MO-65138/XXXX
7	16318	1	Plug		
8	957173	3	Gasket		MO-65138/XXXX
9	957173	2	Gasket		
10	907132	1	Gasket		
11	940113	1	Hexagon screw		
12	957171	1	Gasket		
13	940161	2	Hexagon screw		L=45mm
14	955527	1	Hexagon screw		L=57mm
15	955529	1	Hexagon screw		L=76mm
	955531	6	Hexagon screw		L=89mm
	955533	2	Hexagon screw		L=102mm
16	(896700)	1	Exhaust pipe	13978	Obsolete part
17	467367	8	• Plug		(467649)
18	469328	8	• Gasket		
19	952075	5	• Plug		
20	180726	2	• Plug		
21	907137	2	• Gasket		
22	952079	1	• Plug		
23	422074	6	Gasket		
24	942547	5	Hexagon screw		L=128mm
25	191652	1	Hexagon screw		L=146mm
26	912130	1	Spacer ring		
27	192058	2	Hexagon screw		L=152mm
28	102030	3	Screw		L=165mm
29	(942124)	1	Hexagon screw		L=178mm, Obsolete part
30	(912129)	1	Spacer ring		Obsolete part
31	(820756)	1	Attaching plate		Obsolete part
32	(820755)	1	Attaching plate		Obsolete part
33	940097	10	Washer		
34	82745	2	Shut-off cock		
35	820725	2	Hose	13978	