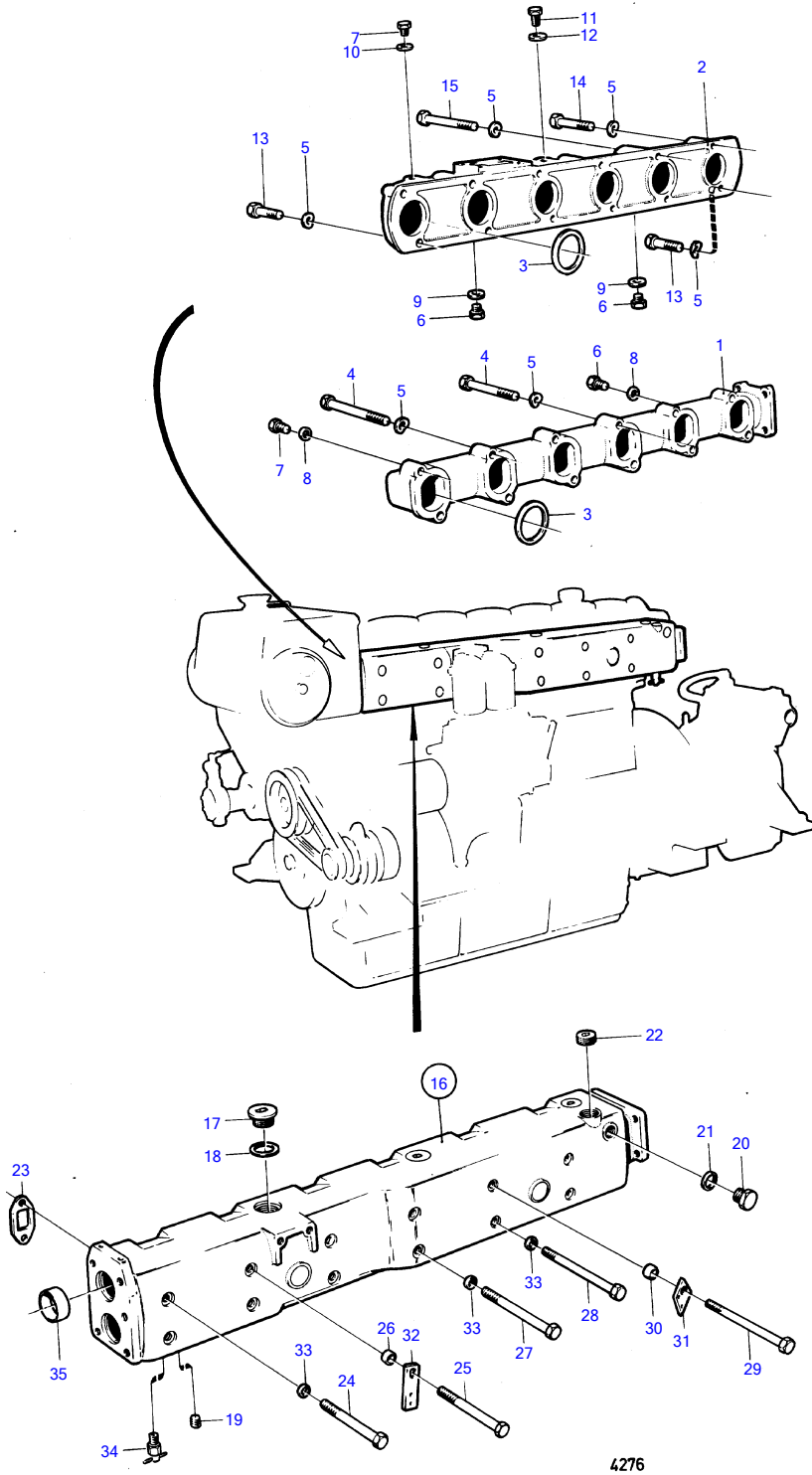


MD100A



MD100A

| REF | PART NO. | QTY | DESCRIPTION | SEE SEC. | NOTES |
|-----|----------|-----|-----------------|----------|------------------------------|
| 1 | (424010) | 1 | Inlet pipe | | MO-65138/XXXX, Obsolete part |
| 3 | 422174 | 6 | Rubber ring | | |
| 4 | 955529 | 12 | Hexagon screw | | |
| 5 | 941907 | 12 | Spring washer | | |
| 6 | 180707 | 2 | Plug | | MO-65138/XXXX |
| 7 | 16318 | 1 | Plug | | |
| 8 | 957173 | 3 | Gasket | | MO-65138/XXXX |
| 9 | 957173 | 2 | Gasket | | |
| 10 | 907132 | 1 | Gasket | | |
| 11 | 940113 | 1 | Hexagon screw | | |
| 12 | 957171 | 1 | Gasket | | |
| 13 | 940161 | 2 | Hexagon screw | | L=45mm |
| 14 | 955527 | 1 | Hexagon screw | | L=57mm |
| 15 | 955529 | 1 | Hexagon screw | | L=76mm |
| | 955531 | 6 | Hexagon screw | | L=89mm |
| | 955533 | 2 | Hexagon screw | | L=102mm |
| 16 | (896700) | 1 | Exhaust pipe | 13978 | Obsolete part |
| 17 | 467367 | 8 | • Plug | | (467649) |
| 18 | 469328 | 8 | • Gasket | | |
| 19 | 952075 | 5 | • Plug | | |
| 20 | 180726 | 2 | • Plug | | |
| 21 | 907137 | 2 | • Gasket | | |
| 22 | 952079 | 1 | • Plug | | |
| 23 | 422074 | 6 | Gasket | | |
| 24 | 942547 | 5 | Hexagon screw | | L=128mm |
| 25 | 191652 | 1 | Hexagon screw | | L=146mm |
| 26 | 912130 | 1 | Spacer ring | | |
| 27 | 192058 | 2 | Hexagon screw | | L=152mm |
| 28 | 102030 | 3 | Screw | | L=165mm |
| 29 | (942124) | 1 | Hexagon screw | | L=178mm, Obsolete part |
| 30 | (912129) | 1 | Spacer ring | | Obsolete part |
| 31 | (820756) | 1 | Attaching plate | | Obsolete part |
| 32 | (820755) | 1 | Attaching plate | | Obsolete part |
| 33 | 940097 | 10 | Washer | | |
| 34 | 82745 | 2 | Shut-off cock | | |
| 35 | 820725 | 2 | Hose | 13978 | |