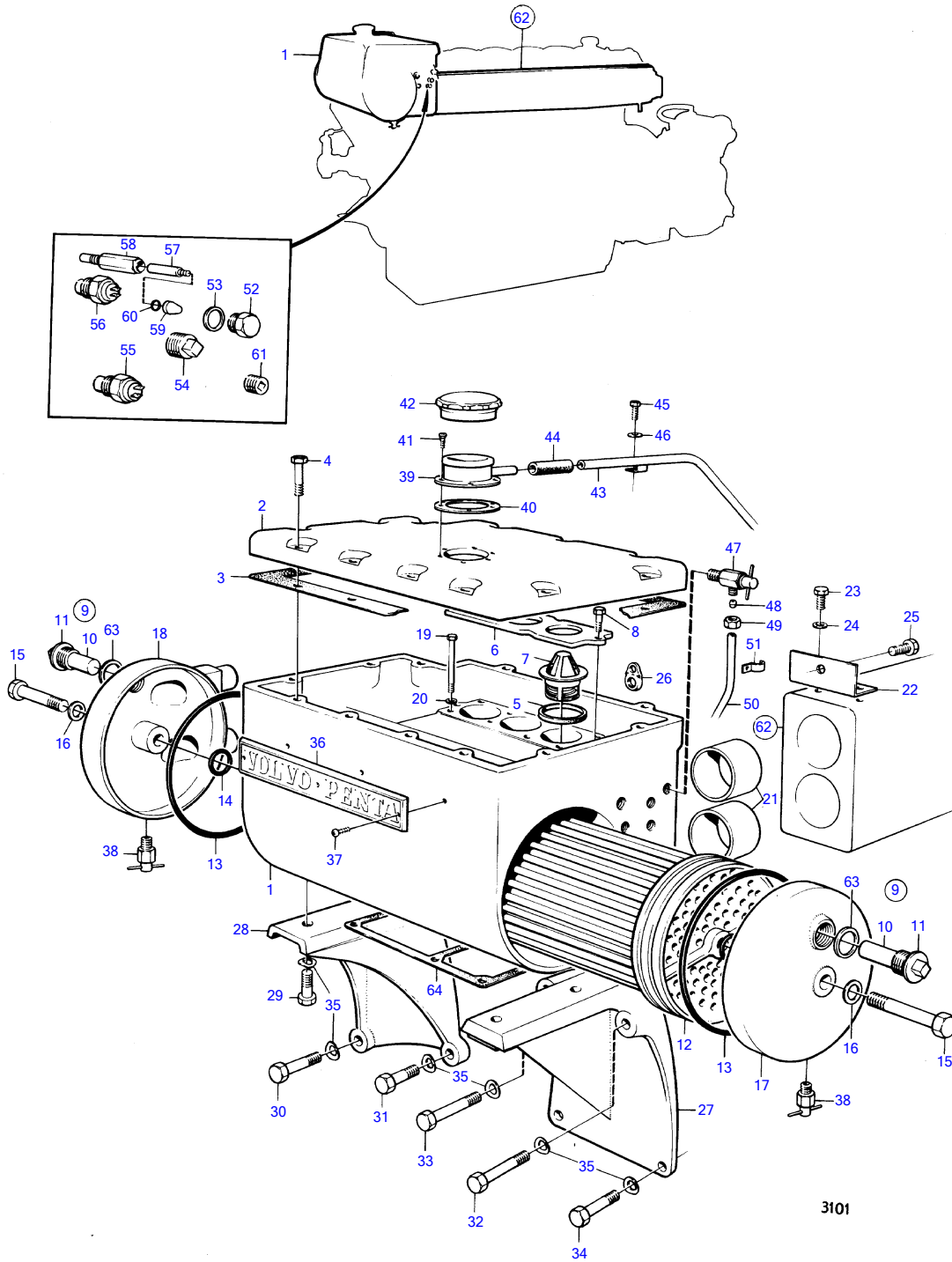


MD100A, TMD100A, TMD100AK, TMD100A-CC, MD100B, MD100BK, MD100B-CC



MD100A, TMD100A, TMD100AK, TMD100A-CC, MD100B, MD100BK, MD100B-CC

| REF | PART NO. | QTY | DESCRIPTION | SEE SEC. | NOTES |
|-----|----------|-----|----------------------|-------------|---|
| 1 | 837183 | 1 | Housing | | |
| 2 | 820723 | 1 | Cover | | |
| 3 | 820726 | 1 | Gasket | | |
| 4 | 955525 | 12 | Hexagon screw | | |
| 5 | 416033 | 3 | Sealing ring | | |
| 6 | 820724 | 1 | Thermostat retainer | | Early type |
| | 824134 | 1 | Plate | | Late type |
| 7 | 824200 | 3 | Thermostat | | Early type |
| | 1544297 | 2 | Thermostat | | Late type 76°C (467014) |
| | 824200 | 1 | Thermostat | | Early type 70° |
| | 1544389 | 1 | Thermostat | | Late type 70° |
| 8 | 942342 | 4 | Hexagon screw | | |
| 9 | 823660 | 4 | Zinc electrode | | Repl by 823661 |
| 10 | 823661 | 4 | • Zinc anode | | |
| 11 | 823662 | 4 | • Plug | | |
| 12 | 823278 | 1 | Insert | | |
| 13 | 400797 | 4 | O-ring | | |
| 14 | 925057 | 2 | O-ring | | |
| 15 | 823279 | 2 | Screw | | |
| 16 | 11996 | 2 | Gasket | | |
| 17 | 820715 | 1 | End cover | | |
| 18 | (820716) | 1 | End plate | | Obsolete part |
| 19 | (942232) | 6 | Hex. socket screw | | Obsolete part |
| 20 | 942551 | 6 | Washer | | |
| 21 | 820725 | 2 | Hose | 13975 | |
| 22 | (820728) | 1 | Anchorage | | Obsolete part |
| 23 | 940114 | 2 | Hexagon screw | | |
| 24 | 940097 | 2 | Washer | | |
| 25 | 955560 | 1 | Hexagon screw | | |
| 26 | 423139 | 1 | Sealing ring | | See group 2A |
| 27 | 820730 | 1 | Bracket | | |
| 28 | (823036) | 1 | Bracket | | Obsolete part |
| 29 | 940162 | 4 | Hexagon screw | | |
| 30 | 955541 | 3 | Hexagon screw | | L=76mm |
| 31 | 955535 | 1 | Hexagon screw | | L=32mm |
| 32 | 955543 | 1 | Hexagon screw | | L=95mm |
| 33 | 940156 | 1 | Hexagon screw | | L=89mm |
| 34 | 955539 | 2 | Hexagon screw | | |
| 35 | 942336 | 12 | Spring washer | | |
| 36 | 820232 | 1 | Sign | | |
| 37 | 950210 | 3 | Cross recessed screw | | |
| 38 | 82744 | 3 | Shut-off cock | | |
| 39 | 821348 | 1 | Cardboard tube | | |
| 40 | 821349 | 1 | Gasket | | |
| 41 | 950145 | 6 | Cross recessed sunk | | |
| 42 | 321973 | 1 | Filler cap | | |
| 43 | | 1 | overflow pipe | | Replaced by 1ea 1544097., Early type |
| 44 | 192618 | X | Hose, hose | | L=50mm early type L=1000mm late type |
| 45 | (950019) | 1 | Cross recessed screw | | Obsolete part, Early type |
| 46 | 940090 | 1 | Washer | | Early type |
| 47 | 820436 | 1 | Drain cock | | |
| 48 | 954365 | 1 | Fitting | | |
| 49 | 954350 | 1 | Fitting nut | | |
| 50 | 954305 | X | Tube | | L=350mm |
| | | | • Bulletin P-23-4-3 | P-23-4-3-EN | Fuel Line 5/16", Copper Pipe |
| 51 | 942400 | 1 | Clamp | | |
| 52 | 180761 | 1 | Plug | | Replaced by 1ea 1544389. |
| 53 | 11996 | 1 | Gasket | | Replaced by 1ea 1544389. |
| 54 | 952077 | 2 | Plug | | Replaced by 1ea 1544389. |
| 55 | | 1 | temperature sender | | See group 3 |
| 56 | | 1 | thermoswitch | | See group 9 |
| | | 1 | thermoswitch | | Included in packing., See group 3 |

7742120-26-13978

3101

Upd:2011-03-01

MD100A, TMD100A, TMD100AK, TMD100A-CC, MD100B, MD100BK, MD100B-CC

VOLVO
PENTA

MD100A, TMD100A, TMD100AK, TMD100A-CC, MD100B, MD100BK, MD100B-CC

| REF | PART NO. | QTY | DESCRIPTION | SEE SEC. | NOTES |
|-----|----------|-----|-------------------|----------|----------------------------|
| 57 | (880778) | 1 | Thermo contact | | Obsolete part, See group 9 |
| 58 | (898739) | 1 | Protecting sleeve | | Obsolete part, See group 9 |
| 59 | (898740) | 1 | Cover | | Obsolete part, See group 9 |
| 60 | 925057 | 1 | O-ring | | See group 9 |
| 61 | 952075 | 2 | Plug | | Included in packing. |
| 62 | (896700) | 1 | Exhaust pipe | 13975 | Obsolete part |
| 63 | 836169 | 4 | Gasket | | |
| 64 | 821853 | 1 | Gasket | 13983 | |