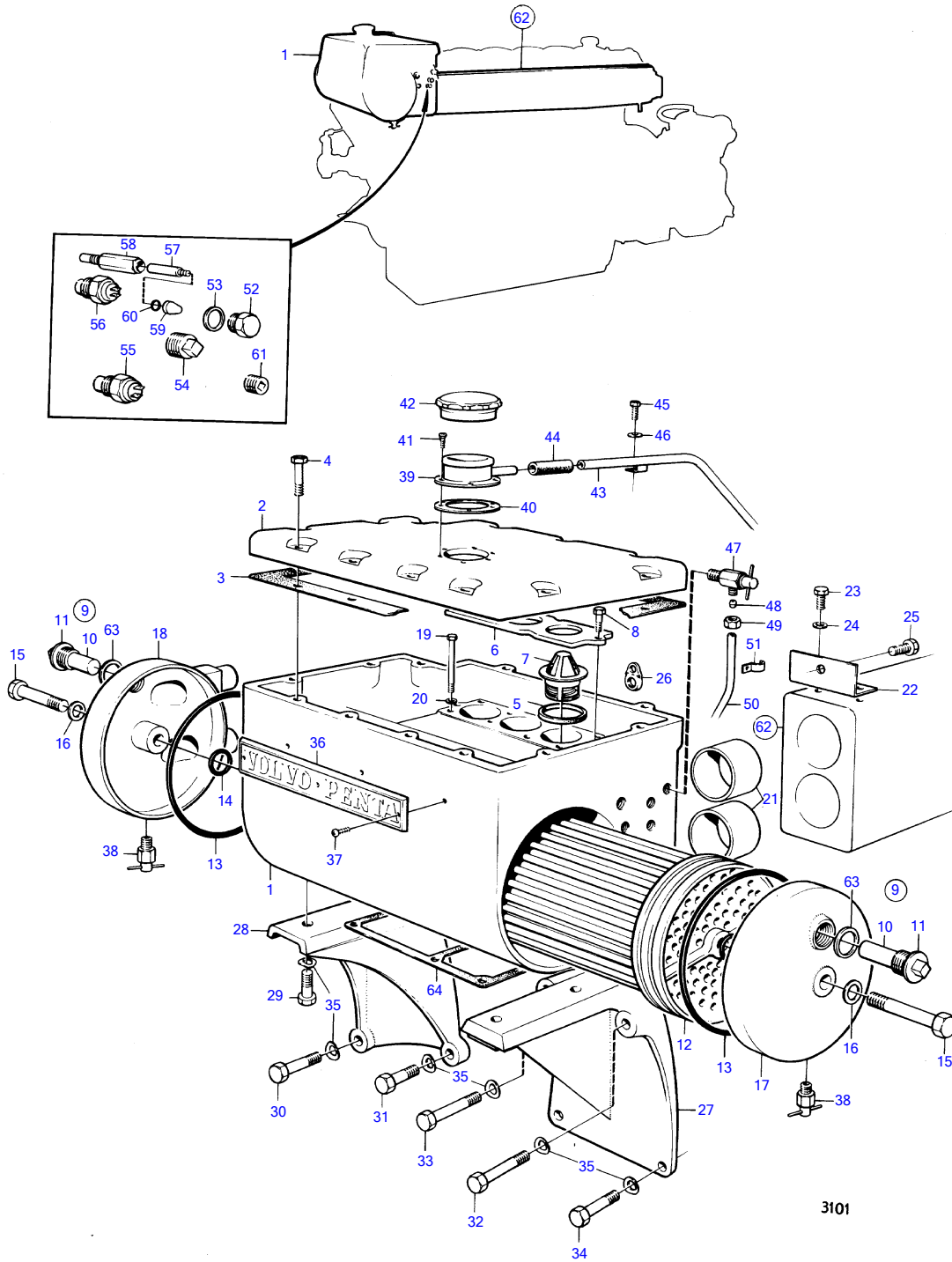


MD100A, TMD100A, TMD100AK, TMD100A-CC, MD100B, MD100BK, MD100B-CC



MD100A, TMD100A, TMD100AK, TMD100A-CC, MD100B, MD100BK, MD100B-CC

REF	PART NO.	QTY	DESCRIPTION	SEE SEC.	NOTES
1	837183	1	Housing		
2	820723	1	Cover		
3	820726	1	Gasket		
4	955525	12	Hexagon screw		
5	416033	3	Sealing ring		
6	820724	1	Thermostat retainer		Early type
	824134	1	Plate		Late type
7	824200	3	Thermostat		Early type
	1544297	2	Thermostat		Late type 76°C (467014)
	824200	1	Thermostat		Early type 70°
	1544389	1	Thermostat		Late type 70°
8	942342	4	Hexagon screw		
9	823660	4	Zinc electrode		Repl by 823661
10	823661	4	• Zinc anode		
11	823662	4	• Plug		
12	823278	1	Insert		
13	400797	4	O-ring		
14	925057	2	O-ring		
15	823279	2	Screw		
16	11996	2	Gasket		
17	820715	1	End cover		
18	(820716)	1	End plate		Obsolete part
19	(942232)	6	Hex. socket screw		Obsolete part
20	942551	6	Washer		
21	820725	2	Hose	13975	
22	(820728)	1	Anchorage		Obsolete part
23	940114	2	Hexagon screw		
24	940097	2	Washer		
25	955560	1	Hexagon screw		
26	423139	1	Sealing ring		See group 2A
27	820730	1	Bracket		
28	(823036)	1	Bracket		Obsolete part
29	940162	4	Hexagon screw		
30	955541	3	Hexagon screw		L=76mm
31	955535	1	Hexagon screw		L=32mm
32	955543	1	Hexagon screw		L=95mm
33	940156	1	Hexagon screw		L=89mm
34	955539	2	Hexagon screw		
35	942336	12	Spring washer		
36	820232	1	Sign		
37	950210	3	Cross recessed screw		
38	82744	3	Shut-off cock		
39	821348	1	Cardboard tube		
40	821349	1	Gasket		
41	950145	6	Cross recessed sunk		
42	321973	1	Filler cap		
43		1	overflow pipe		Replaced by 1ea 1544097., Early type
44	192618	X	Hose, hose		L=50mm early type L=1000mm late type
45	(950019)	1	Cross recessed screw		Obsolete part, Early type
46	940090	1	Washer		Early type
47	820436	1	Drain cock		
48	954365	1	Fitting		
49	954350	1	Fitting nut		
50	954305	X	Tube		L=350mm
			• Bulletin P-23-4-3	P-23-4-3-EN	Fuel Line 5/16", Copper Pipe
51	942400	1	Clamp		
52	180761	1	Plug		Replaced by 1ea 1544389.
53	11996	1	Gasket		Replaced by 1ea 1544389.
54	952077	2	Plug		Replaced by 1ea 1544389.
55		1	temperature sender		See group 3
56		1	thermoswitch		See group 9
		1	thermoswitch		Included in packing., See group 3

7742120-26-13978

3101

Upd:2011-03-01

MD100A, TMD100A, TMD100AK, TMD100A-CC, MD100B, MD100BK, MD100B-CC

**VOLVO**  
**PENTA**

MD100A, TMD100A, TMD100AK, TMD100A-CC, MD100B, MD100BK, MD100B-CC

REF	PART NO.	QTY	DESCRIPTION	SEE SEC.	NOTES
57	(880778)	1	Thermo contact		Obsolete part, See group 9
58	(898739)	1	Protecting sleeve		Obsolete part, See group 9
59	(898740)	1	Cover		Obsolete part, See group 9
60	925057	1	O-ring		See group 9
61	952075	2	Plug		Included in packing.
62	(896700)	1	Exhaust pipe	13975	Obsolete part
63	836169	4	Gasket		
64	821853	1	Gasket	13983	