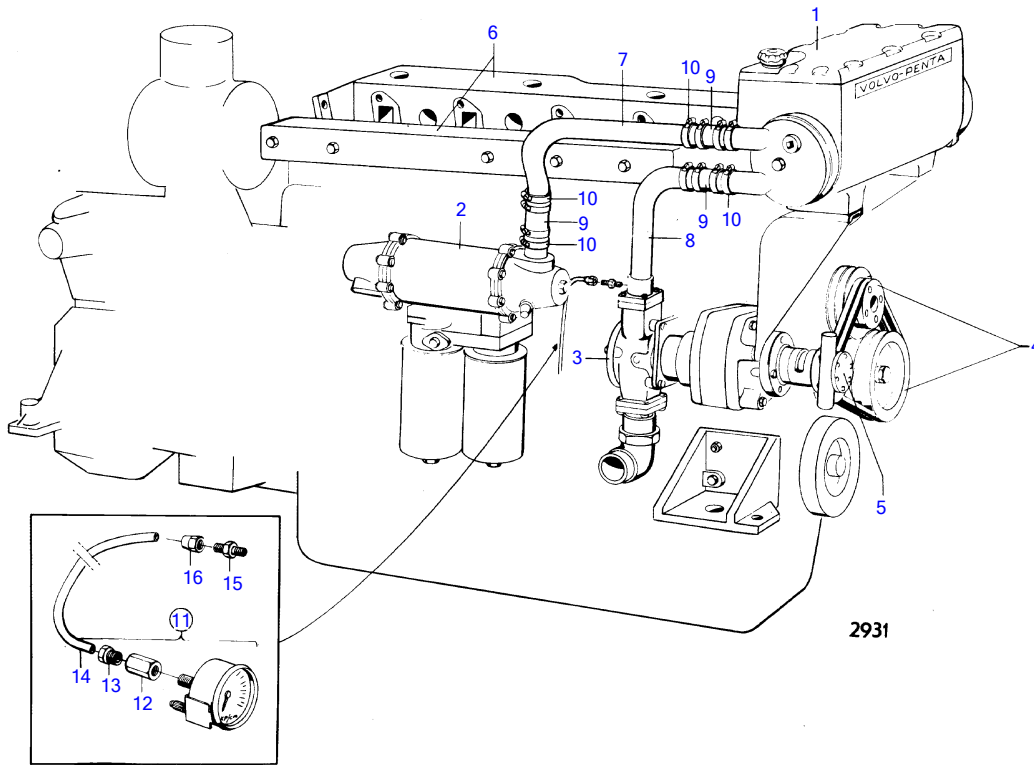


MD100B



MD100B

REF	PART NO.	QTY	DESCRIPTION	SEE SEC.	NOTES
6		1	induction and exhaust system induction and exhaust system	13984	
		1			Spec 867669
7	820731	1	Tube		Obsolete part
8	823380	1	Coolant pipe	13981	Obsolete part
9	952976	X	Rubber hose		L=110mm
10	943477	12	Hose clamp		(951793)
11	819815	1	Pressure gauge kit		Obsolete part
12	809410	1	• Nut		Obsolete part
13	87698	1	• Fitting screw		
14	954303	X	• Tube		L=5000mm, Obsolete part
15	954334	1	Nipple		Obsolete part
16	954320	1	Fitting nut		